



ASSEMBLY INSTRUCTION FOR WYTHE BURLED WOOD BAR

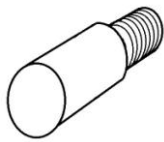
IMPORTANT SAFETY INSTRUCTIONS:

- Please read all instructions carefully before assembling.
- For your safety, assembly by two or more adults is strongly recommended.
- Keep instructions for future use.
- Use only vendor supplied hardware to assemble. Using unauthorized hardware could jeopardize the structural integrity of the product.

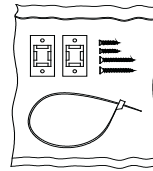
PARTS INCLUDED:

- | | |
|-------------|-------|
| (A) Cabinet | 1 pc |
| (B) Shelf | 1 pcs |

HARDWARE ENCLOSED:



- | | |
|---------------|-------|
| (C) Shelf Pin | 4 pcs |
|---------------|-------|



- | | |
|------------------|------|
| (D) Anti-Tip Kit | 1set |
|------------------|------|

ASSEMBLY INSTRUCTIONS:

To replace the wine rack to be shelf (B), please follow the instruction below:

1. Release the door of the Cabinet (A) with pressing the locking pin at the back of hinges as shown (**Fig.1**), and pull the door as shown (**Fig.2**)

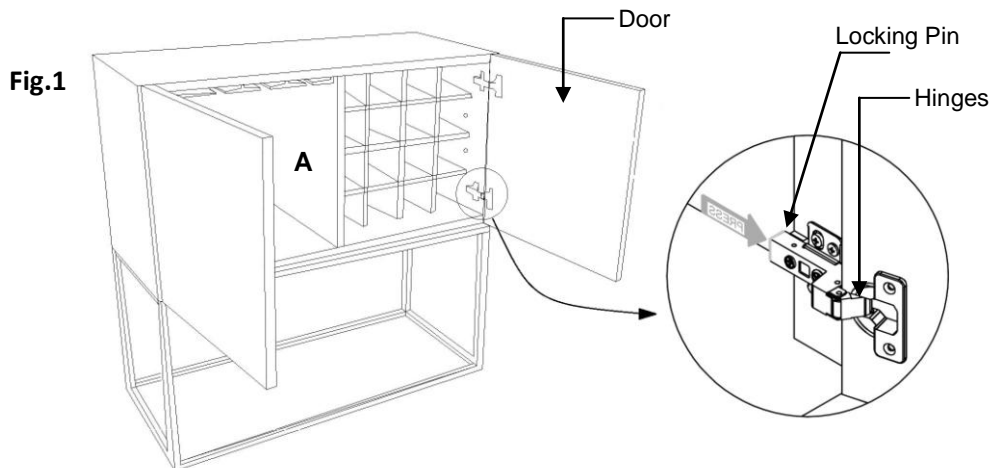
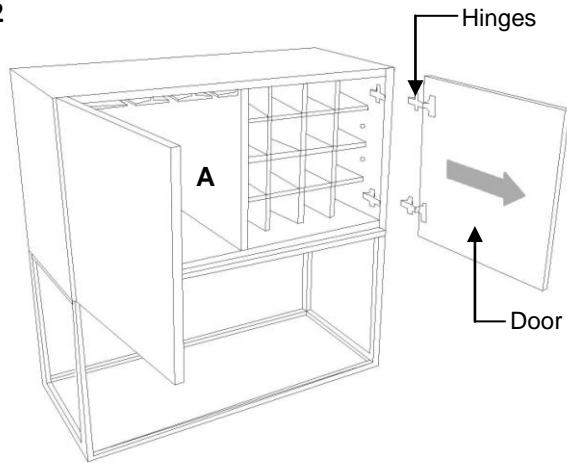
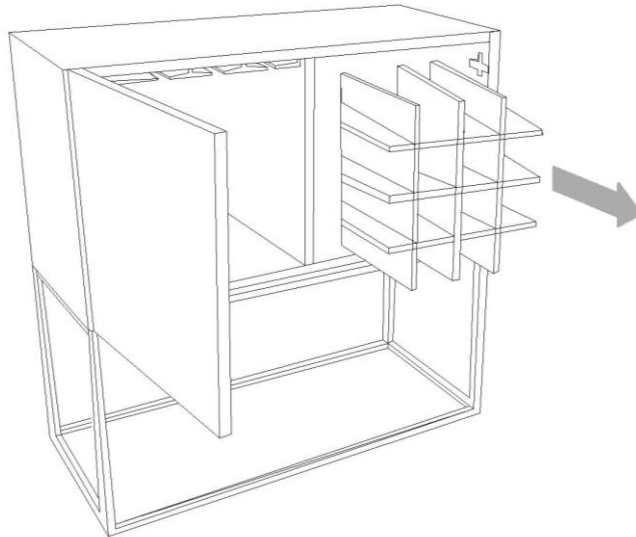


Fig.2



2. Pull the Wine Rack out from the case as shown (**Fig.3**)

Fig.3



3. Install Shelf Pins (C) into the middle level nut on the Cabinet by turning clockwise as shown (**Fig.4**) and then put the Shelf (B) inside Cabinet as shown (**Fig.4**). To adjust the upper and lower shelf level, insert the shelf pins (C) into upper or lower level holes then move the shelf (B).

Fig.3

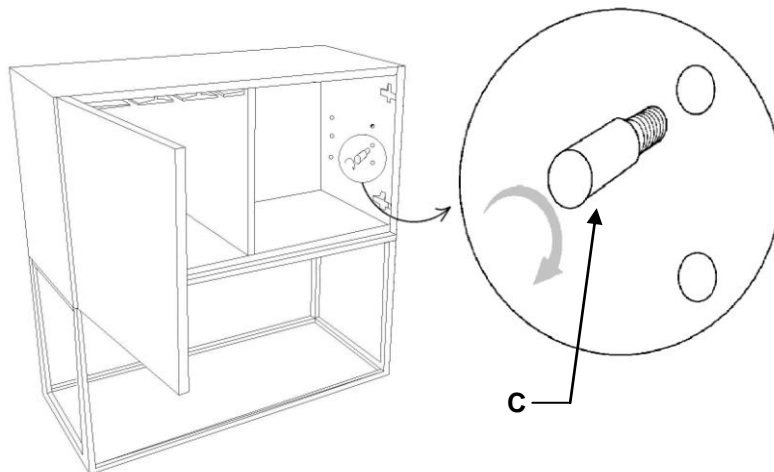
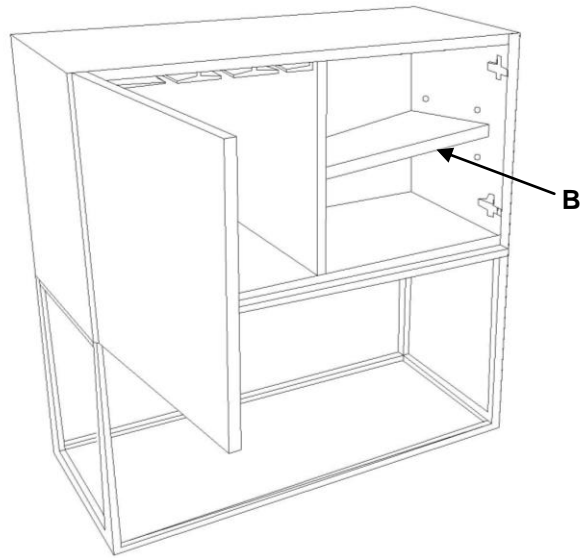
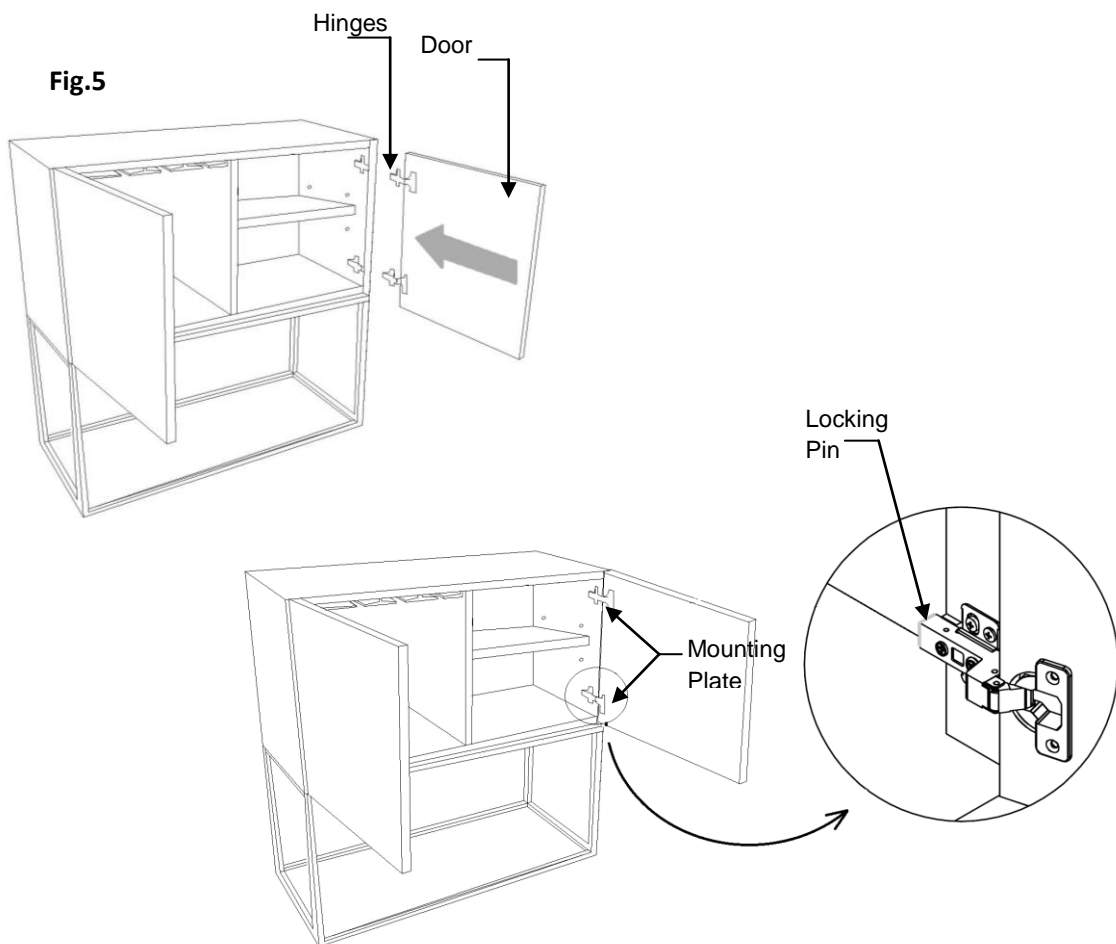


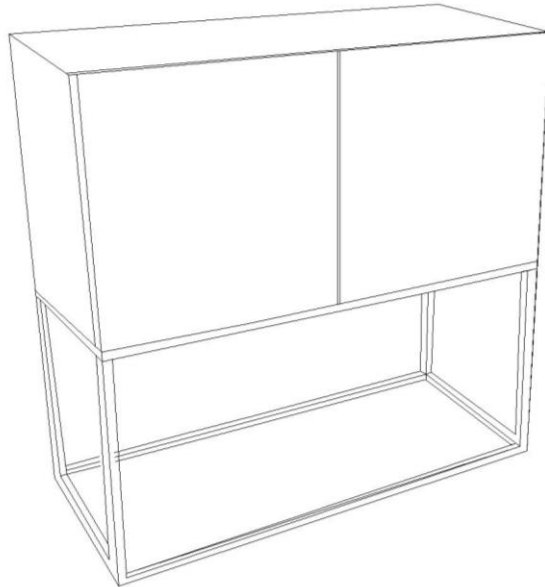
Fig.4



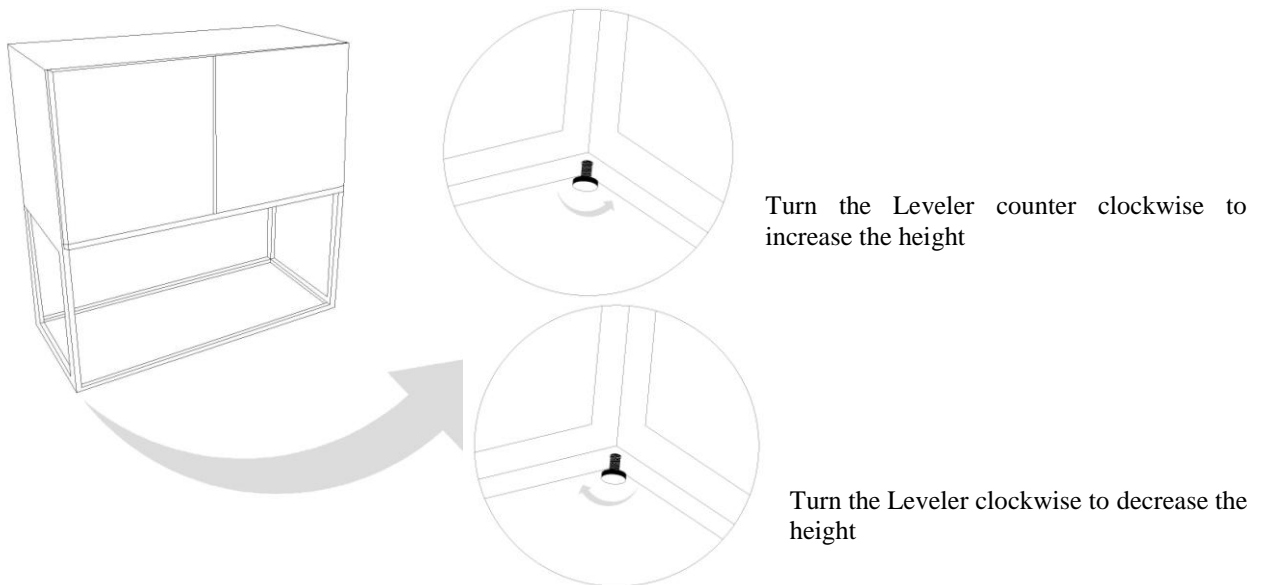
4. Insert the hinges into the mounting plate and ensure that the locking pin is locked properly as shown (Fig.5).



5. Assemble is complete.



If the floor is uneven, adjust the recessed levelers found on the bottom of the furniture.



- Carefully grasp one side of the furniture and elevate it slightly to provide access to levelers.
- Turn the leveler until adequate contact is made with the floor.
- Carefully set the furniture down.
- Repeat until the furniture sits level and stable.

CARE INSTRUCTIONS:

- Dust often using a clean, soft, dry and lint-free cloth.
- Blot spills immediately and wipe with a clean, damp, cloth.
- To protect the furniture from spills, always use coasters.
- We do not recommend the use of chemical cleansers, abrasives or furniture polish.
- Hardware may loosen over time. Periodically check to make sure all connections are tight.
- Re-tighten if necessary.

For questions or assistance, call 877.812.6235

FURNITURE TIPPING RESTRAINT

WARNING: This product is only a deterrent. It is not a substitute for proper adult supervision. Manufacturer assumes no liability for improper installation or excessive loads placed on screws, brackets or straps.

Young children may be injured by tipping furniture and the use of a tipping restraint is highly recommended.

When properly installed, this restraint will provide protection against tipping of furniture. This tipping restraint **MUST** be secured to a wall-stud or wall structure of similar strength.

Hardware Included: (2) Mounting plates (1) Nylon Strap
(2) Long (1-1/4") Stud Mounting Screws (2) Short (3/4") Furniture-Side Mounting Screws

Note: For safe mounting it is essential to use the proper hardware for your wall type. The included hardware is for drywall or stud mounting only. For other wall types (e.g., plaster, concrete and brick) please consult your local hardware store for fastener advice.

To install:

- 1) **LOCATING STUDS:** Use a stud finder to locate the vertical wooden studs within your wall located behind the final position of the furniture item. Mark the stud locations with a light pencil-mark.
- 2) **MOUNTING THE FURNITURE-SIDE BRACKET:** Move the furniture item close to the wall to its final position. Use pieces of tape or a pencil to transcribe the stud locations of the wall onto the furniture item. Move the furniture item again so you can access its back and use the marks to locate a suitable mounting point for the furniture-side mounting plate. Make sure that the mounting plate is secured to a firm portion of the furniture frame and as high as possible. Remember: The furniture-side mounting plate must be positioned near a wall stud. Using a pencil, and the mounting plate as a guide, mark "screw marks" on the furniture item through the mounting plate holes.

Use a 3/32" drill bit to drill pilot holes into the furniture item at the "screw marks". Use the TWO Short screws to secure the furniture-side mounting plate. This mounting plate can be positioned either vertically or horizontal as necessary (See Figure 1).

- 3) **MOUNTING THE WALL-SIDE MOUNTING PLATE :** Position the wall-side mounting plate along the selected stud mark so that it will be adjacent the furniture-side mounting plate when the furniture item is moved to its final position. The wall-side mounting plate should be about ONE inch lower than the furniture-side mounting plate (See Figure 3). Use the TWO Long screws to secure the wall-side mounting plate to the wall. Remember to position the wall-side mounting plate vertically so that both screws will engage the selected wall stud (See Figure 2).
- 4) **ATTACHING THE STRAP :** When both mounting plates are securely attached, move the furniture to its final desired position and thread the strap through the openings of each mounting plate and also through the ratcheting "buckle". Tighten the strap until several "clicks" are heard. The furniture item is now securely tethered to the wall.

Note: If you must move the furniture item, you can release the strap by depressing the lever arm located at its buckle and simultaneously withdrawing the strap from the buckle. Make sure to reconnect the strap once the furniture item is returned to its previous position.

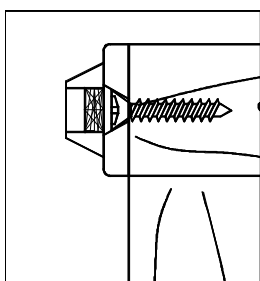


Figure 1

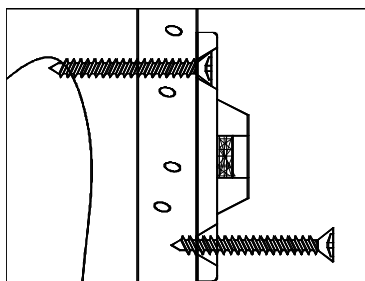


Figure 2

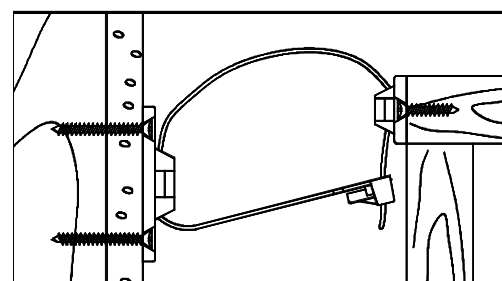


Figure 3