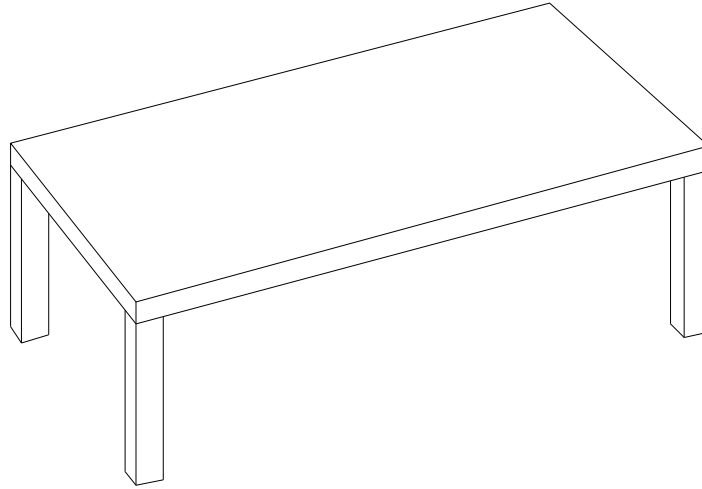


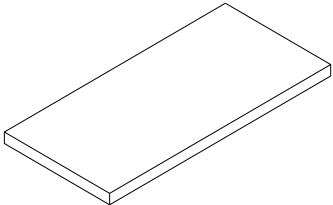
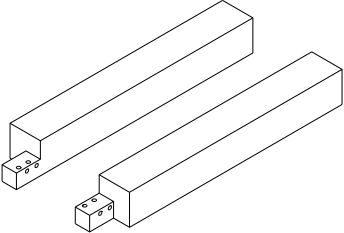
**ASSEMBLY INSTRUCTION FOR BURLWOOD DINING TABLE**



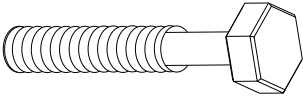
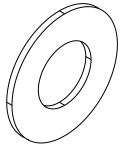
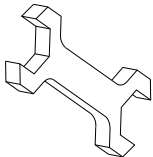
**IMPORTANT SAFETY INSTRUCTION:**

- Please read all instructions carefully before assembling.
- For your safety, assembly by two or more adults is strongly recommended.
- Keep instructions for future use.
- Use only vendor supplied hardware to assemble. Using unauthorized hardware could jeopardize the structural integrity of the item.

**PART INCLUDED:**

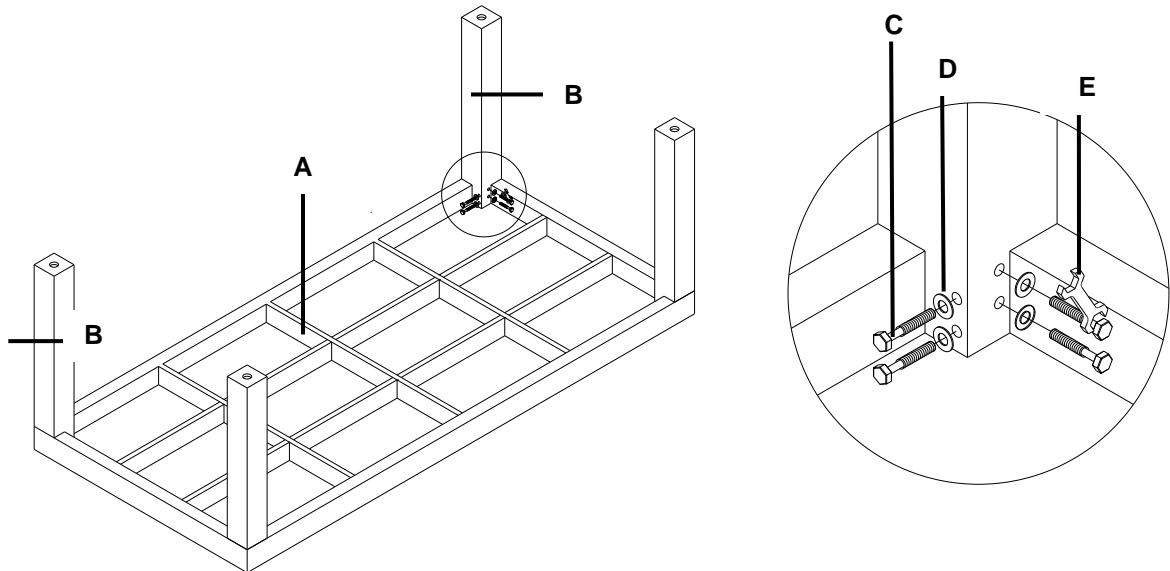
 <p><b>A. Top Table</b> <span style="float: right;"><b>1x</b></span></p>	 <p><b>B. metal Leg</b> <span style="float: right;"><b>4x</b></span></p>
---	---

**HARDWARE INCLUDED:**

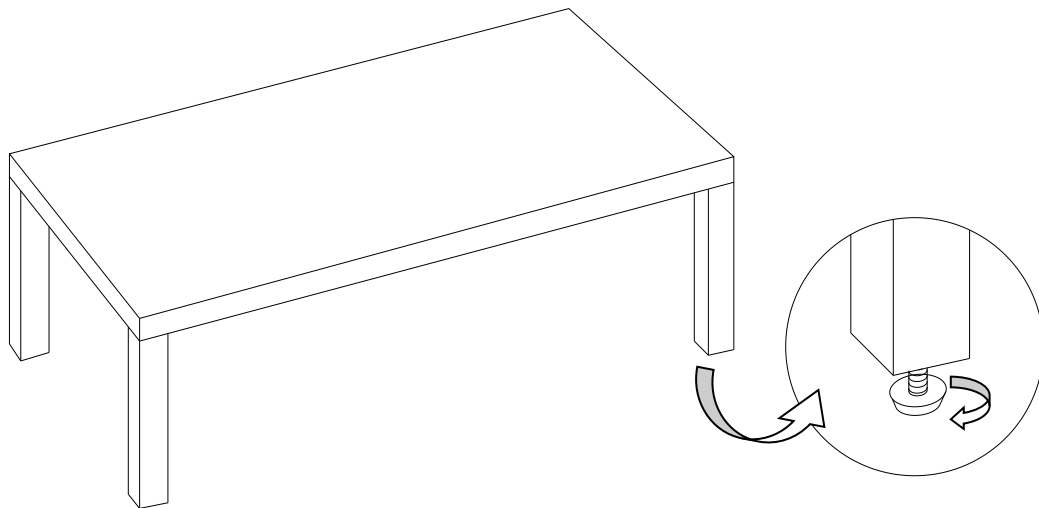
 <p><b>C. Bolts M8 x 80mm</b> <b>16x</b></p>	 <p><b>D. Washer</b> <span style="float: right;"><b>16x</b></span></p>	 <p><b>E. Hex Key</b> <span style="float: right;"><b>1x</b></span></p>
---	---	---

**ASSEMBLY INSTRUCTION:**

STEP 1: Lay top table (A) upside down on flat and scratch free surface. Align the predrilled holes on leg (B) to the predrilled holes on table top (A). Insert the flat washer (D), Bolts (C) into the predrilled holes on leg. Tighten using Hex Key (E).



STEP 2: carefully, grab the table upside down. If the floor is uneven adjust the recessed levelers found on the bottom of the furniture. Assembly is complete.



**CARE INSTRUCTION:**

- Dust often using a clean, soft, dry and lint-free cloth.
- Blot spills immediately and wipe with a clean, damp, cloth.
- We do not recommend the use of chemical cleaners, abrasives or furniture polish on our lacquered finish



- Hardware may loosen over time. Periodically check to make sure all connections are tight.
- Re-tighten if necessary