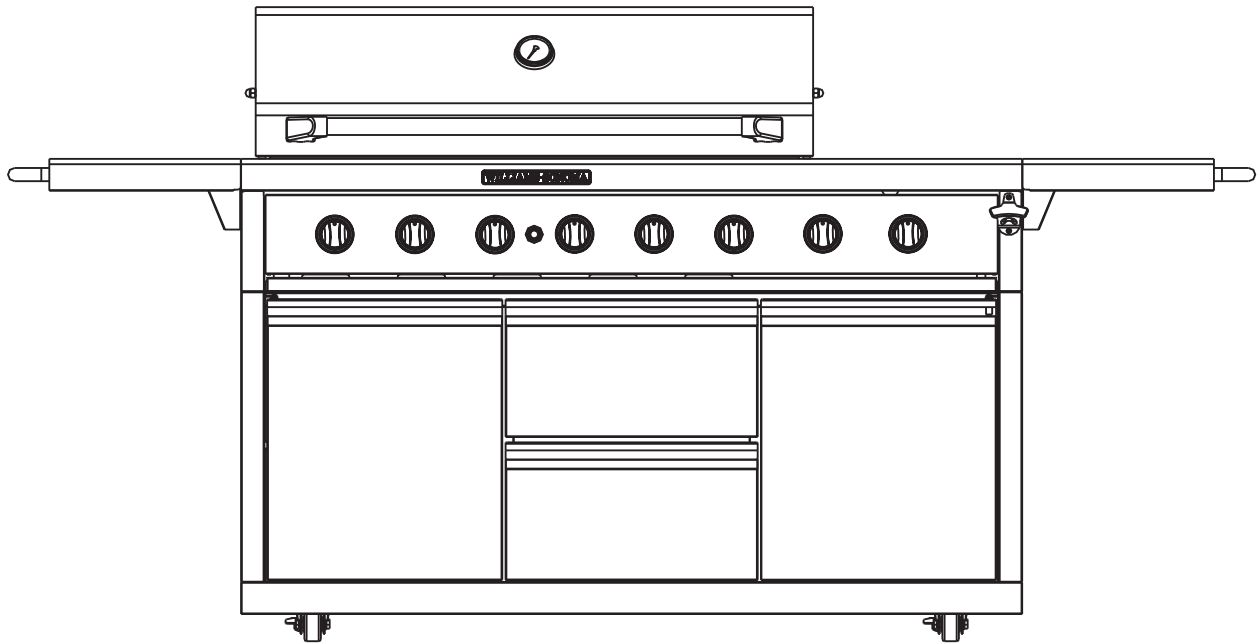


WILLIAMS-SONOMA

Stainless Steel 6 Burner Gas Grill with Side Burner & Rotisserie

ASSEMBLY & USER MANUAL



The instructions shall be marked with directions to the installer to leave them with the consumer and to the consumer to retain them for future reference.



WARNING

To reduce the risk of fire, burn hazard or other injury, read the Care and Use Manual carefully and completely before using your grill.



WARNING

The outdoor cooking gas appliance must be isolated from the gas supply piping system by closing its individual manual shutoff valve during any pressure testing of the gas supply piping system at test pressures equal to or less than 1/2 psi (3.5 kPa)



WARNING

This grill is not intended to be installed in or on recreational vehicles and/or boats.



WARNING
FOR OUTDOOR USE ONLY

TABLE OF CONTENT

Safety Information.....	2
Package Contents List.....	7
Preparation.....	8
Grill Assembly Instructions.....	8
Rotisserie Assembly And Use Instructions.....	11
Propane Installation Instructions.....	14
Operation Instructions.....	17
Care And Maintenance.....	19
Replacement Parts List.....	20



DANGER

If you smell gas:

1. Shut off gas to the appliance.
2. Extinguish any open flame.
3. Open lid.
4. If odor continues, keep away from the appliance and immediately call your gas supplier or your fire department.



WARNING

Do not store or use gasoline or other flammable liquids or vapors in the vicinity of this or any other appliance. A LP cylinder not connected for use shall not be stored in the vicinity of this or any other appliance.



WARNING

Do not try lighting this appliance without first reading the "LIGHTING INSTRUCTIONS" section of this manual.



WARNING

Do not use the grill if the odor of gas is present.



WARNING

1. The grill and its individual shut-off valve must be disconnected from the gas supply piping system during any pressure testing in excess of 1/2 PSI (3.5 kpa).



WARNING

Never attempt to use damaged equipment. See your local liquid propane dealer for repair.



WARNING

Do not install this unit into combustible enclosures.
There should be a minimum clearance of 36 inches from all sides to combustible materials.



WARNING

Maximum LP gas tank size is 12 inches in diameter by 18-1/2 inches tall. Do not use a tank without an Overfill Prevention Device (OPD), which prevents the tank from being overfilled and possibly damaging your grill.



WARNING

Do not leave the grill unattended while cooking.



WARNING

Spiders and insects can nest inside the burners of the grill and disrupt gas flow. Inspect the grill at least twice a year.



CAUTION

When using the rotisserie burner, remove the warming rack. High heat from the burner may cause the warming rack to bend.



WARNING

Check all gas supply fittings for leaks before each use. Do not use the grill until all connections have been checked and do not leak. Do not smoke while leak testing. Never leak test with an open flame.



WARNING

This grill is not intended to be installed in or on recreational vehicles and/or boats.

WARNING

When lighting, keep your face and hands as far away from the grill as possible.



WARNING

Do not store grill indoors unless the cylinder is disconnected. Do not store cylinder in a building, garage, or any other enclosed area, and keep out of reach of children at all times.



WARNING

Failure to properly place the burner over the orifice could cause a fire to occur behind and beneath the valve panel, thereby damaging the grill and making it unsafe to operate.



CAUTION

When using a match to light the grill, make sure to use the attached lighting rod.



CAUTION

Before cleaning, make sure the gas supply and control knobs are in the "OFF" position and the burners have cooled.

BEFORE LIGHTING

Inspect the gas supply hoses prior to turning on the gas. If there is evidence of cuts, wear, or abrasion, it must be replaced prior to use.

Only the pressure regulator and hose assembly supplied with the unit should be used. Never substitute regulators for those supplied with the grill. Contact customer service for proper replacement.

Screw the regulator onto the cylinder. Leak check the hose and regulator connections with a soap and water solution before operating the grill (See “Leak Testing” instructions on page 15).

Do not turn on the gas at the LP gas cylinder unless the gas hose is properly connected to the side burner gas pipe system and all burner valves are in the “OFF” position.

Keep a spray bottle of soapy water near the grill and check the connections before each use.



LP GAS CYLINDER WARNING

1. Do not store or use gasoline or other flammable vapors and liquids in the vicinity of this or any other appliance.
2. A liquid propane cylinder not connected for use should not be stored in the vicinity of this or any other appliance.
3. Do not store spare liquid propane gas cylinders under or near this appliance.
4. Never fill the cylinder beyond 80 percent capacity.
5. Liquid propane cylinders must be fitted with an Overfill Protection Device (OPD).
6. If the information above is not followed exactly, a fire resulting in death or serious injury could occur.

SAFETY PRACTICES TO AVOID INJURY

When properly cared for, your grill will provide safe, reliable service for many years. However, extreme care must be used as the grill produces intense heat that can increase accident potential.

When using this appliance basic safety practices must be followed, including the following:

Do not repair or replace any part of the grill unless specifically recommended in this manual. All other service should be referred to a qualified technician.

The grill is for outdoor use only.

The grill is not intended to be installed in or on recreational vehicles and/or boats.

Children should not be left alone or unattended in an area where the grill is being used. Do not allow children to sit, stand or play on or around the grill at any time.

Do not store items of interest to children around or below the grill or cart. Do not allow children to crawl inside the cart.

Never let clothing, pot holders or other flammable materials come in contact with or too close to any grate, burner or hot surface until it has cooled. The fabric could ignite, causing serious personal injury.

For personal safety, wear proper apparel. Loose fitting garments or sleeves should never be worn while using this appliance. Some synthetic fabrics are highly flammable and should not be worn while cooking.

Only certain types of glass, ceramic, earthenware, or other glazed utensils are suitable for grill use.

Other types of materials may shatter with sudden temperature changes. Use only low or medium heat settings in accordance with the manufacturer’s guidelines.

Do not heat unopened food containers as a build-up of pressure may cause the containers to burst.

Use a covered hand when opening the grill lid. Never lean over an open grill.

When lighting a burner, always pay close attention to what you are doing. Make certain you are aware of which burner you are lighting so that your body and clothing remain clear of open flames.

When using the grill, do not touch the grill rack, burner grate or immediate surroundings as these areas become extremely hot and could cause burns. Use only dry potholders. Moist or damp potholders on hot surfaces may cause steam burns. Do not use a towel or bulky cloth in place of potholders.

Do not allow potholders to touch hot portions of the grill rack.

Grease is flammable. Let hot grease cool before attempting to handle it. Do not allow grease deposits to collect in the grease tray at the bottom of the grill's firebox. Clean the grease tray often.

Do not use aluminum foil to line the grill racks or grill bottom. This can severely upset combustion airflow or trap excessive heat in the control area.



WARNING

Do not try lighting this appliance without first reading the "LIGHTING INSTRUCTIONS" section of this manual.



CALIFORNIA PROPOSITION 65 WARNING

The burning of gas fuel generates some byproducts, which are known by the State of California to cause cancer or reproductive harm. To minimize exposure to these substances, always operate this unit according to the care and use manual, ensuring you provide good ventilation when cooking with gas.



TESTED IN ACCORDANCE WITH ANSI Z21.58 LATEST STANDARD and CSA 1.6-2012 STANDARD FOR OUTDOOR COOKING GAS APPLIANCES. THIS GRILL IS FOR OUTDOOR USE ONLY.

Check your local building codes for the proper method of installation. In the absence of local codes, follow either the National Fuel Gas Code, ANSI Z223.1/NFPA 54, or CAN/CGA-B149.1, Natural Gas and Propane Installation Code, Electrical Code, ANSI/NFPA 70

For proper lighting and performance of the burners, keep the burner ports clean. It is necessary to clean them periodically for optimum performance. The burners will only operate in one position and must be mounted correctly for safe operation.

Exercise caution when cleaning grill. To avoid steam burns, do not use a wet sponge or cloth to clean the grill while it is hot. Some cleaners produce noxious fumes or can ignite if applied to a hot surface.

Never use a dented or rusty propane cylinder.

Turn off all control knobs and make certain the grill is cool before using any type of aerosol cleaner on or around it. The chemical that produces the spraying action could, in the presence of heat, ignite or cause metal parts to corrode.

Do not use the grill to cook excessively fatty meats or other products, which promote flare-ups.

Do not operate the grill under unprotected combustible constructions. Use only in well ventilated areas. Do not use in buildings, garages, sheds, breezeways or other such enclosed areas.

This unit is intended for outdoor use only.

Keep the areas surrounding the grill free from combustible materials including, fluids, trash, and vapors such as gasoline or charcoal lighter fluid. Do not obstruct the flow of combustion and ventilation air. If the unit is stored indoors, make sure it is cool.

Do not use briquettes of any kind in the grill.

This liquid propane gas grill is designed for optimum performance without the use of briquettes. Do not place briquettes on the flame tamers as this will block the vent to the grill burners. Adding briquettes can damage ignition components, thus voiding the warranty.

Keep the back of the cart free and clear from debris. Keep any electrical supply cord and the fuel supply hose away from any heated surface.

Never use the grill in extremely windy conditions. If located in a consistently windy area (oceanfront, mountaintop, etc.), a windbreak will be required. Always adhere to the clearance specifications.

PLACEMENT OF THE GRILL

Outdoor cooking appliances should not be used under overhead combustible construction.

When determining a suitable location take into account concerns such as exposure to wind, proximity to traffic paths, and keeping gas supply lines as short as possible.

Place the grill in well-ventilated areas. Never place the grill in a building, garage, breezeway, shed or other such enclosed areas. During heavy use, the grill will produce a lot of smoke.

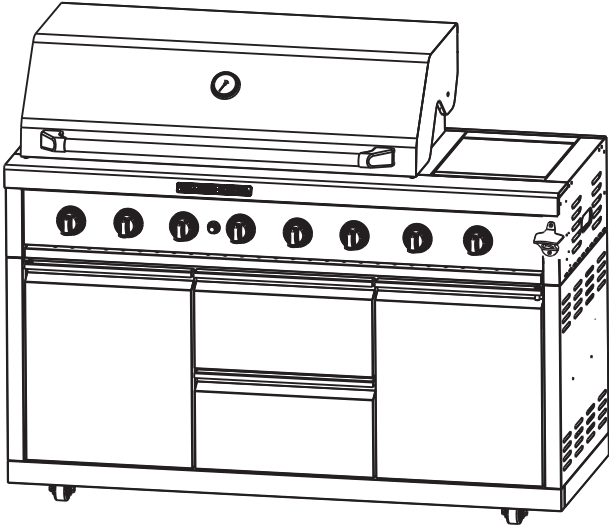


WARNING

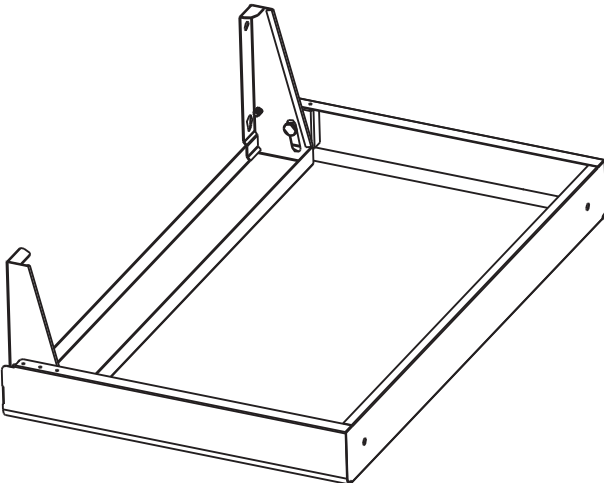
Electrical Grounding Instructions for Transformer – This appliance (Transformer) is equipped with a plug and should be plugged directly into a properly grounded receptacle. When installed, must be electrically grounded in accordance with local codes or in the absence of local codes, with the National Electrical Code, ANSI/NFPA 70 or the Canadian Electrical Code, CSA C22.1. DO NOT cut or remove the grounding prong from this plug.

1. To protect against electrical shock, do not immerse cord or plugs in water or other liquids.
2. Unplug from the outlet when not in use and before cleaning. Allow to cool before putting on or taking off parts.
3. Do not operate any outdoor cooking gas appliance with a damaged cord, plug, or after the appliance malfunctions or has been damaged in any manner. Contact the manufacturer for repair.
4. Do not let the cord hang over the edge of a table or touch hot surface.
5. Do not use an outdoor cooking gas appliance for purposes other than intended.
6. When connecting, first connect plug to the outdoor cooking gas appliance then plug appliance into the outlet.
7. Use only a Ground Fault Interrupt (GFI) protected circuit with this outdoor cooking gas appliance.
8. Never remove the grounding plug or use with an adapter of 2 prongs.
9. Use only extension cords with 3 prongs grounding plug, rated for the power of the equipments, and approved for outdoor use with a W-A marking.

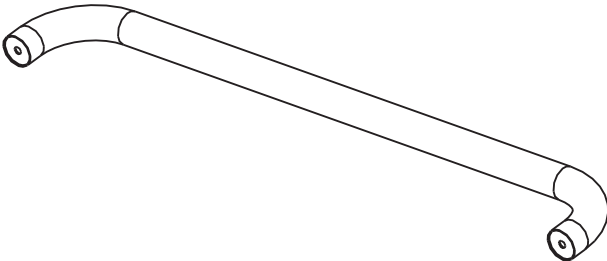
PACKAGE CONTENTS LIST



Grill Body



Side shelves



Side Shelves Handle

AA Screws AA M6X15 8pcs

Preparation

Before beginning assembly, make sure all parts are present. Compare parts with package contents list and diagram above. If any part is missing or damaged, do not attempt to assemble the product. Contact customer service for replacement parts.

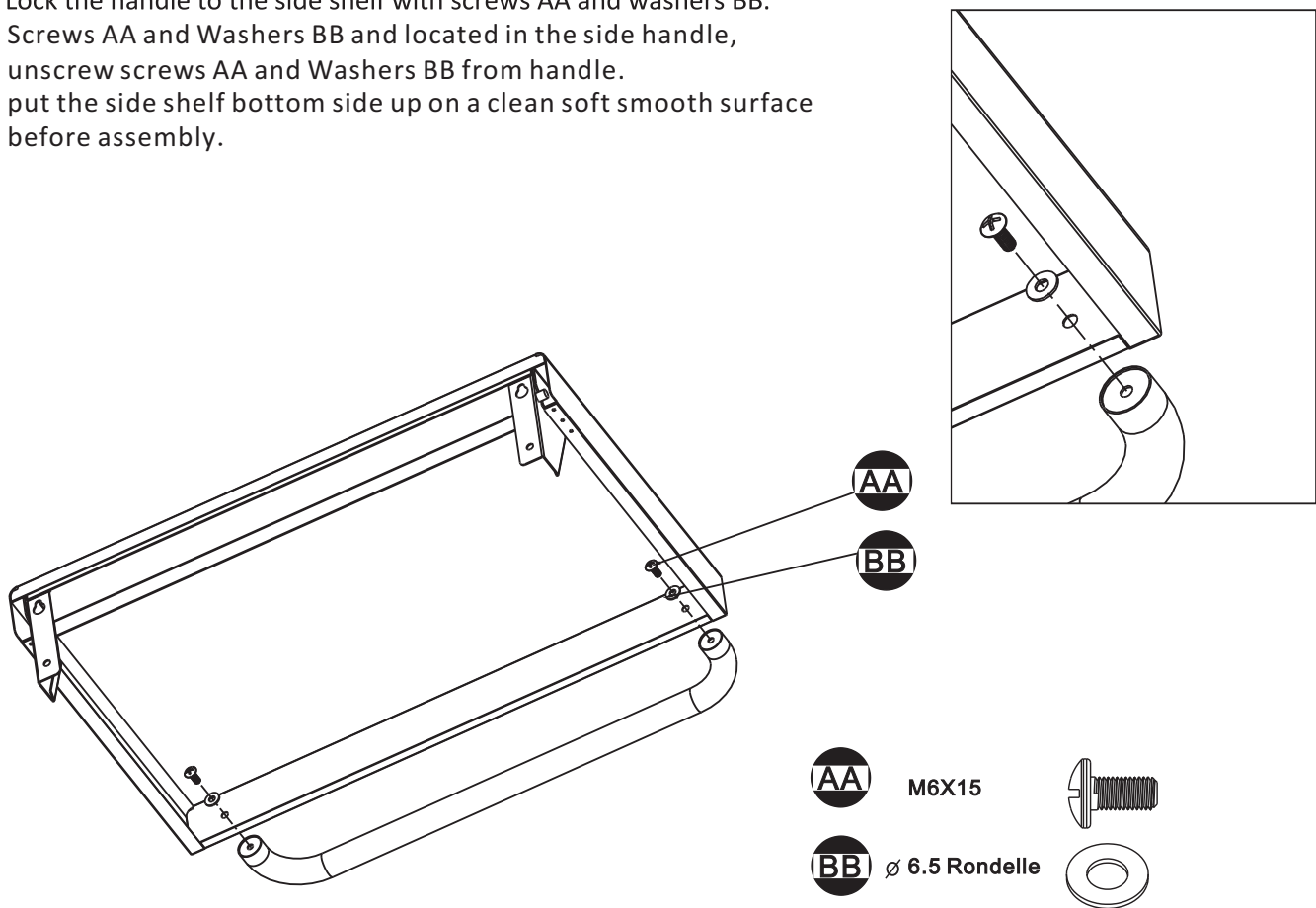
IMPORTANT: Remove any transit protection material before use.

- Tools Required for Assembly: Phillips Screwdriver (not included).
- Note: The right and left sides of the grill are designated as if you are facing the front of the grill.

Assembly Instructions

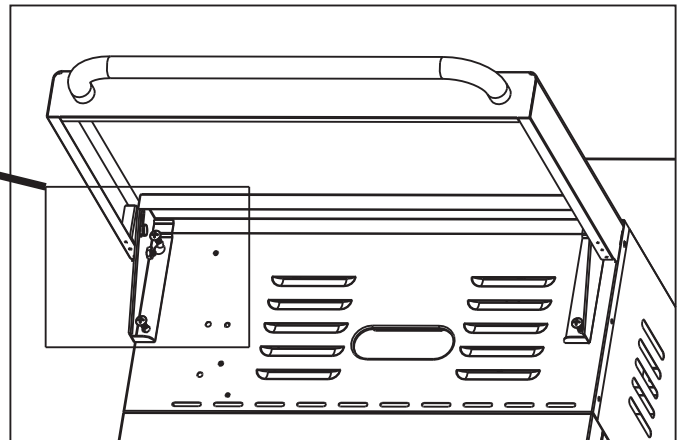
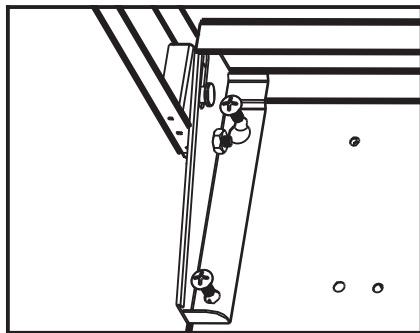
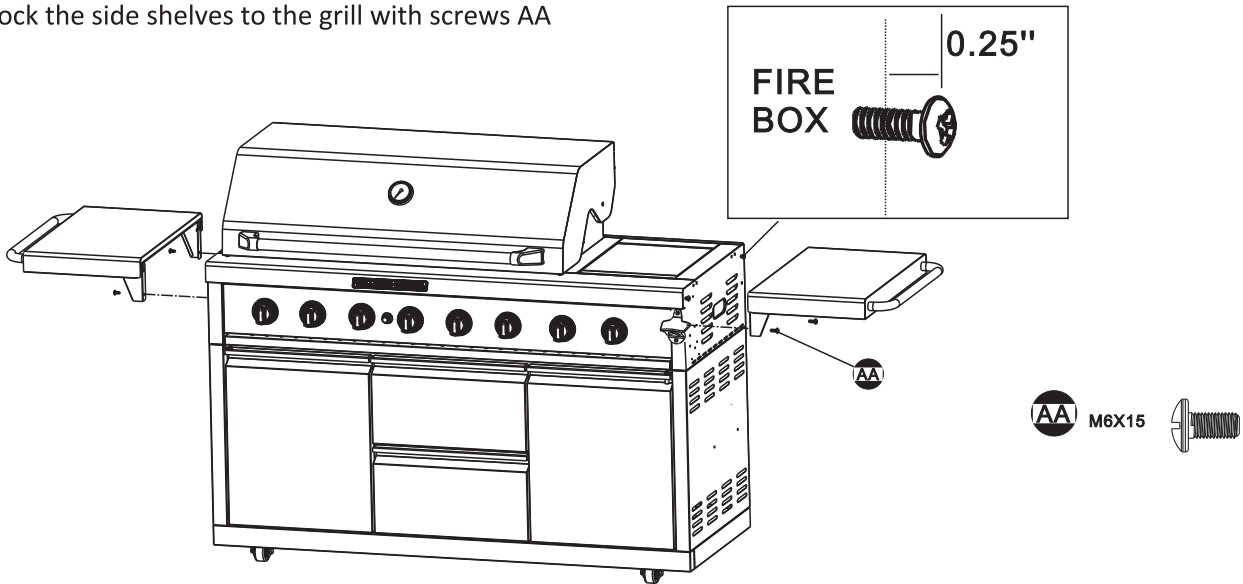
1. Side Handle Assembly

Lock the handle to the side shelf with screws AA and washers BB. Screws AA and Washers BB and located in the side handle, unscrew screws AA and Washers BB from handle. put the side shelf bottom side up on a clean soft smooth surface before assembly.

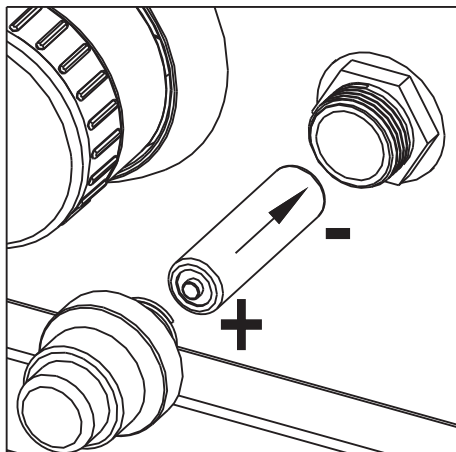


2. Side Shelf Assembly

Lock the side shelves to the grill with screws AA



3. Put the AA size battery into the battery box



4. Flame tamer and cooking grids placement, sides first and then the middle one.

