

WILLIAMS-SONOMA

12 Inch Magnetic Knife Bar

Assembly & Mounting Instructions

Parts Included:

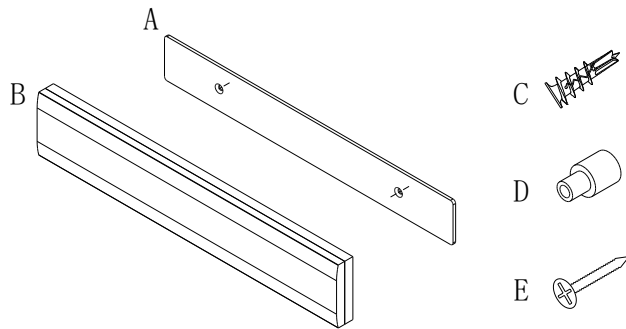
- A. (1) Iron Plate
- B. (1) Magnetic Knife Bar
- C. (2) Anchor
- D. (2) Metal Cylinder Gasket
- E. (2) Screw

Hardware for Assembly:

- A. (1) Iron Plate
- B. (1) Magnetic Knife Bar
- D. (2) Metal Cylinder Gasket

Hardware for Mounting:

- C. (2) Anchor
- E. (2) Screw



Note: The mounting hardware (O/ P) are meant for drywall/stud mounting only. For other wall types, please consult your local hardware store for assistance in selecting the appropriate hardware.

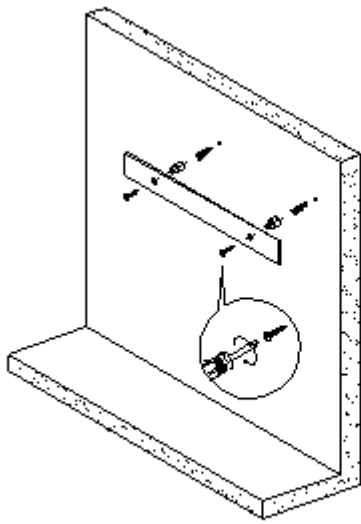
Tools Required: Pencil, Level, Philips screwdriver, Tape measure, Stud-finder

Pre-Assembly:

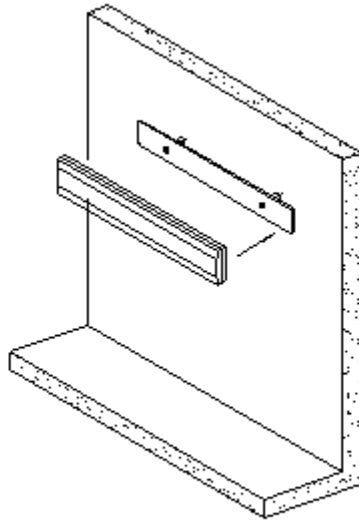
- Please read all instructions carefully before getting started.
- Remove all parts and hardware from carton box and lay them out on a clear workspace.
- Do not discard any contents until after assembly / installation is completed to avoid accidentally discarding small parts or hardware.
- Do the assembly of this item on a **flat, protected surface** (e.g. a large table, floor).
- For safety and ease of assembly & mounting, two people are strongly recommended.
- The use of power tools to aid in assembly is not recommended.
- The illustrations provided allow for easier assembly when used in conjunction with the assembly instructions.

MOUNTING INSTRUCTIONS:

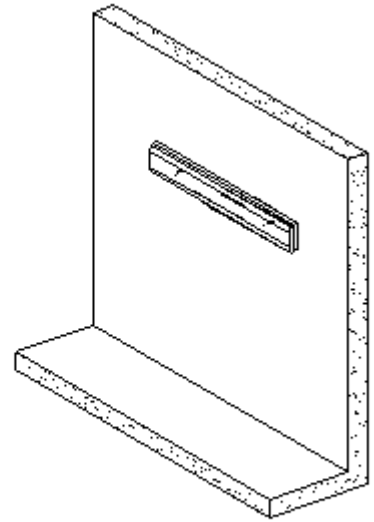
- 1) Determine a desired location for the item. Mark two insertion points on the wall as the diagram illustrated. You may need to double verify that the dimensions are correct – measure on the actual product and see if they are match.
- 2) Use a stud-finder to determine if there is a wall stud located at either insertion mark. If a mark does align, use a screwdriver to screw (E) through the iron plate (A) and metal cylinder gasket (D), locked into the plastic anchor (C).
- 3) The concave of magnetic knife bar(B) align with iron plate (A), then gently close to it, using the magnetic adsorption on the iron plate (A)



①



②



③

Care Instruction:

- Dust often with a soft, dry cloth.
- Avoid using abrasives or strong-chemical cleaners as they may damage the finish of the product.

Warning:

- **STRONG MAGNETS.** Handle with care when installing the magnetic bar.
Can be harmful to people with pacemaker or metallic implants. **THIS IS NOT A TOY.**
- **STRONG MAGNETIC BAR.** Be careful when mounting the screws through the magnetic bar.
Can be harmful to people with pacemaker or metallic implants. **THIS IS NOT A TOY.**

Thank you for your purchase!
www.williams-sonoma.com