

Vornado<sup>®</sup>  
**ALCHEMY**

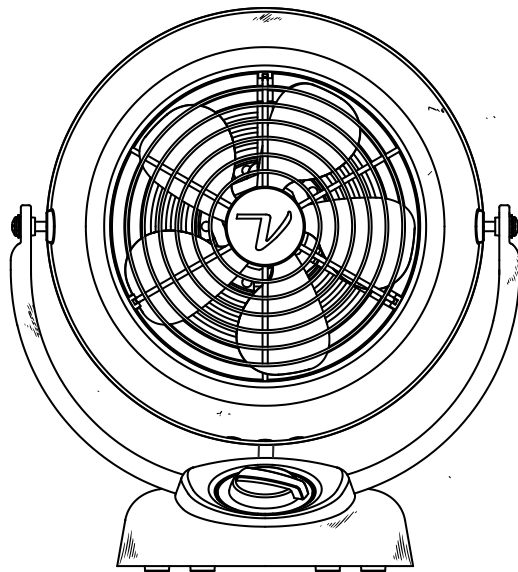
ESTD.  1945

**MODEL: VFANPA**  
**VFAN PETITE ALCHEMY**  
**INSTRUCTION MANUAL**

MODELO: VFANPA  
MANUAL DE INSTRUCCIONES

MODÈLE: VFANPA  
INSTRUCTION MANUAL

VORNADO.COM



WE EXPECT THIS PRODUCT TO BE PERFECT.  
IF IT IS NOT WE WILL MAKE IT SO.

Esperamos que este producto sea perfecto  
Si no lo es, ayúdenos a corregirlo

---

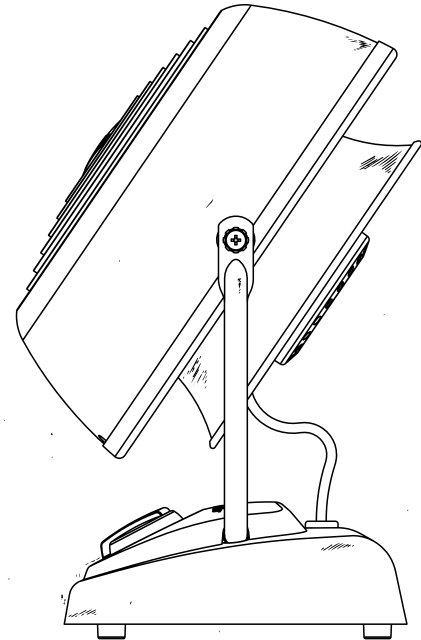
Nous exigeons de nos produits qu'ils soient parfaits  
Si celui-ci ne l'est pas, nous corrigerons la situation

vornado.com  
800-234-0604  
help@vornado.com

# TABLE OF CONTENTS

IMPORTANT INSTRUCTIONS .....	4
FEATURES AND BENEFITS.....	8
HOW TO USE YOUR VORNADO.....	9
CLEANING .....	10
TROUBLESHOOTING .....	13
WARRANTY .....	14

ESPAÑOL P. 15    FRANÇAIS P. 27



# READ AND SAVE THESE INSTRUCTIONS

## IMPORTANT SAFETY INSTRUCTIONS

This owner's guide and any additional inserts are considered part of the product. They contain important information about safety, use and disposal. Before using the product, please familiarize yourself with all operating and safety instructions. Please keep all documents for future reference and pass these documents on, together with the product, to any future owner. See our website to view, download and print the most current version of this owner's guide.

**INTENDED USE:** This product is intended to circulate the air in indoor living spaces only in the United States and Canada. This product is not intended for commercial or industrial use. The manufacturer assumes no responsibility for damage or injury due to

unauthorized use or product modification. Failure to follow these directions will void the product warranty.

## WARNING: RISK TO CHILDREN AND IMPAIRED PERSONS

- Supervision is required during the installation, operation, cleaning and maintenance of this product by children under age 12 and anyone with reduced physical, sensory or mental capabilities. Children should be supervised to ensure that they do not play with the appliance, its parts and packaging material.

## INSTALLATION WARNING—TO REDUCE RISK OF FIRE, ELECTRICAL SHOCK AND INJURY TO PERSONS, OBSERVE THE FOLLOWING:

- Place this product away from curtains, draperies, tablecloths and other fabrics, since they may be drawn into the fan, damage the motor and/or cause a fire.
- No part of this product (the appliance,

power cord, plug, packaging, etc.) should be placed near furnaces, fireplaces, stoves or other high temperature heat sources. Do not use this product in a window, on an uneven or unstable surface, or near water.

- The appliance, power supply, power cord and plug cannot come into contact with water. Do not use this product on wet surfaces. Do not use this product in a bathtub or shower or position product where it may fall into a bathtub, laundry, swimming pool or other water container. Do not use this product outdoors or expose it to weather or elements.
- Do not run cord under carpeting. Do not cover cord with throw rugs, runners, or similar coverings. Do not route under furniture or appliances. Arrange cord away from traffic area and where it will not be tripped over. The cord should not hang over edges of counters or be placed where it can be crimped or closed in doors. Place appliance near an easily

accessible outlet so the product can be unplugged quickly during an emergency.

**SAFE USE WARNING—TO REDUCE RISK OF FIRE, ELECTRICAL SHOCK AND INJURY TO PERSONS, OBSERVE THE FOLLOWING:**

- **WARNING:** To reduce likelihood of circuit overload, fire and electric shock, do not operate with a solid state speed device, such as a dimmer control switch.
- Do not operate unit if the unit has been dropped or damaged. Do not use this product if it has a damaged power cord or plug. To avoid risk of electrical shock, do not attempt to repair or replace parts. Only original replacement parts may be used. If the power cord is damaged, it must be replaced by the manufacturer, its service agent, or similarly qualified persons in order to avoid a hazard. Contact Vornado Consumer Service at 1-800-234-0604 (phone) or [consumerservice@vornado.com](mailto:consumerservice@vornado.com) (email) for further instructions

about replacement and repair.

- Risk of fire. Your appliance may be equipped with a detachable power supply or a cord/plug with a safety device such as a fuse. Use only the power cord and plug provided.
- Before plugging power cord into electrical outlet, be sure that all electrical information on the rating label, including voltage, is compatible with your outlet's power supply.
- Never use the cord as a handle or otherwise yank, strain or stretch the power cord.
- While the product is plugged in, do not insert or allow foreign objects to enter any input or output opening as this may cause risk of electric shock or fire, or damage the product.
- A loose fit between wall outlet (receptacle) and plug may cause overheating and distortion of the plug. Discontinue use of the product in this outlet. Contact a qualified electrician to replace loose or worn outlets.

- This appliance has a polarized plug (one blade is wider than the other.) To reduce the risk of electrical shock, this plug is intended to fit in a polarized outlet only one way. If the plug does not fit fully in the outlet, reverse the plug. If it still does not fit, contact a qualified electrician. Do not attempt to defeat this safety feature.
- Before moving, repositioning, servicing, cleaning and when not in use, use the product controls to turn off the power and then unplug. To disconnect from outlet, grasp and pull only the plug. Also, power off and unplug if the product will be left unattended for an extended period of time or during electrical storms.

**SERVICING WARNING—TO REDUCE RISK OF FIRE, ELECTRICAL SHOCK AND INJURY TO PERSONS, OBSERVE THE FOLLOWING:**

- Clean your product regularly, only as is instructed in this manual. Prior to cleaning, turn off the power on your product and

unplug. Do not use gasoline, thinners, solvents, ammonias or other chemicals for cleaning. Refer to the CLEANING instructions provided.

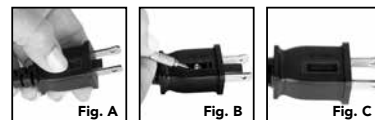
- Do not open appliance housing while product is plugged in. To avoid risk of shock, all service and/or repairs must be done by a Vornado Authorized Service Center.
- This product may have an overload protection (fuse) located in the plug. A blown fuse indicates an overload or short-circuit. If the fuse blows, follow these instructions to replace and reinstall the safety device:

### USER SERVICING INSTRUCTIONS

1. Using the product controls, turn off the appliance.
2. Grasp the plug (not the cord) and disconnect from the outlet.
3. Risk of Fire. Replace fuse only with 2.5 Amp, 125 Volt fuse as approved by Vornado Consumer Service. For an authorized replacement fuse, please

- contact Vornado Consumer Service.
4. Once the replacement is received, use a small flat-head screwdriver to slide open the fuse cover (located on the plug) (See Fig. A).
  5. Remove fuse by using the screwdriver to gently lift each end of the fuse (See Fig. B).
  6. Install the replacement fuse by using the screwdriver to gently push each metal end of the fuse into the receptacle one at a time. Do not push on the center of the fuse—it is fragile and may break.
  7. Slide the fuse cover closed using the screwdriver. When closed, the cover should fit completely in the plug. No part of the cover should stick out (See Fig. C).
  8. Plug your appliance into the outlet and turn the power on.
  9. If the replacement fuse blows, a short-circuit may be present and the

product should be discarded or returned to an authorized service facility for examination and/or repair.



### FCC CONSUMER ADVISEMENT

This equipment may generate, use and/or radiate radio frequency energy that may cause harmful interference to radio communications. If this equipment does cause harmful interference to radio or television reception, which can be determined by turning the equipment off and on, the user is encouraged to contact Vornado Consumer Service. Changes or modifications to this unit not expressly approved by the party responsible for compliance could void the user's authority to operate the product.

**DISPOSAL WARNING**  
**TO REDUCE WASTE AND ENVIRONMENTAL HARM, OBSERVE THE FOLLOWING:**



**PACKAGE RECYCLING:** The packaging protects the appliance from transport damage. The packaging materials are selected from the point of view of their environmental friendliness and disposal technology and are therefore recyclable. Dispose of all packaging materials in an environmentally responsible manner.



**WEEE RECYCLING**

- **WASTE ELECTRICAL AND ELECTRONIC EQUIPMENT DISPOSAL:** This marking indicates that this product should not be disposed with other household wastes throughout the EU. To prevent possible

harm to the environment or human health from uncontrolled waste disposal, recycle it responsibly to promote the sustainable reuse of material resources. To return your used device, please use the return and collection systems or contact the retailer where the product was purchased. They can take this product for environmental safe recycling.

# FEATURES AND BENEFITS



## **CIRCULATE ALL OVER THE ROOM**

A Vornado circulates all the air in the room so everyone is comfortable. Air in motion feels cooler than air that is stagnant. By providing whole room circulation, a Vornado allows you to turn the thermostat up without sacrificing comfort.



## **TWIN AIR CONES**

Inlet guide cones direct air to the most efficient parts of the propeller blades.



## **DEEP-PITCHED PROPELLER**

Deep-pitched propeller blades "bite" off and circulates more air.



## **VORTEX TORNADO ACTION BLADES**

Dual injector cones and powerful blades cause the air leaving to spiral - allowing it to travel farther than typical fans.



## **THREE SPEEDS**

For fully flexible performance, Vornado gives you as much or as little air as you desire.



## **FULL ACTION PIVOT HEAD**

Direct the airflow with the touch of your fingers with the easy-to-adjust head.



## **SAFE AND QUIET DESIGN**

All moving parts are enclosed for safety and silence.



# HOW TO USE YOUR VORNADO

## GETTING STARTED

- 1 Position your air circulator so the beam of air has an unobstructed path from one side of the room to the other.
- 2 Set speed to medium or low and allow a few minutes for an airflow pattern to be established. (Different airflow patterns can be established by changing the location, angle and speed of the air circulator.)
- 3 Adjust the speed accordingly until a desired comfort level is achieved. Once you discover the added comfort of air circulation, you will use your Vornado air circulator season after season.

KEEP IT CLEAN WITH THE VORNADO STORAGE BAG.



CIRCULATE THE COOL OR WARM AIR IN YOUR HOME ALL YEAR LONG.



SUMMER

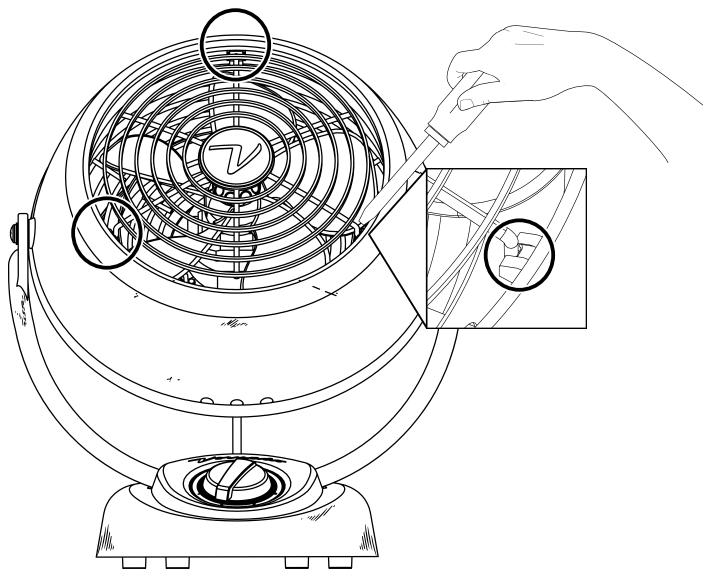


SPRING & FALL



WINTER

# CLEANING



## GRILL REMOVAL

**WARNING:** To avoid risk of fire, electrical shock or injury to persons, unplug the air circulator before removing the grill.

**TIP:** To prevent scratching, gently cover the tip of a flat screwdriver with a soft cloth.

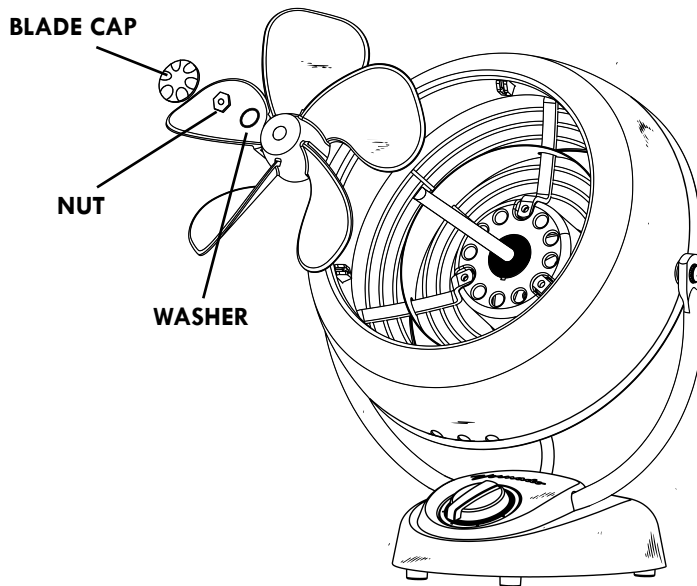
- 1 Place flat screwdriver against the angled section of the grill support tab and press outward to allow the grill wire to be released from the support tab.
- 2 Repeat on second and third grill support tabs.
- 3 To reinstall, align and replace grill wire ends into the support tabs. Use the flat screwdriver to flex wire ends back into the support tabs.

## BLADE REMOVAL


**WARNING:** To avoid risk of fire, electrical shock or injury to persons, make sure the air circulator is still unplugged before removing the blade.

**TIP:** To prevent scratching, gently cover the tip of a flat screwdriver with a soft cloth.

- 1 Remove the blade cap by wedging a screwdriver under the blade cap.
- 2 Next, remove the nut by rotating clockwise. Then remove the washer and pull the fan blade straight out from the shaft.
- 3 To reinstall, push the blade all the way on the shaft until it bottoms out. The blade can only go on the shaft one way. Do not use a hammer as this could result in bearing damage. Replace the washer, nut and press the blade cap into place.



**WARNING:** To avoid risk of fire, electrical shock or injury to persons, unplug the Air Circulator before cleaning.

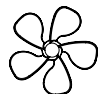
 **TIP:** The motor is permanently lubricated and requires no oiling.



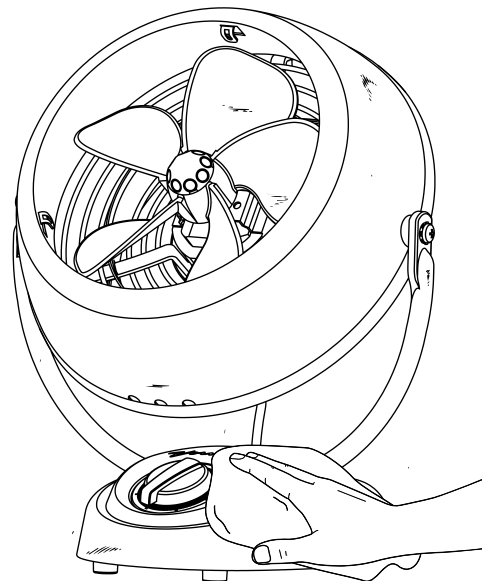
- 1 TO CLEAN MOTOR CAP AND INLET RIBS:**  
Use a common household vacuum. Do not use water to clean these parts of the Air Circulator.



- 2 TO CLEAN GRILL:**  
Remove grill, (see grill removal instructions) and dust or wash with a mild dishwashing soap. Do not place grill in the dishwasher. The excessive heat can remove the plating.



- 3 TO CLEAN BLADE:**  
Wipe with a damp cloth. If your Air Circulator is used in a greasy environment, such as a kitchen, mild soap or a common household cleaner may be necessary. Do not use solvents.



# TROUBLESHOOTING

## PROBLEM

## POSSIBLE CAUSE AND SOLUTION

---

### UNIT FAILS TO POWER ON

Unit is not plugged in. Plug Power Cord into electrical outlet.

Ensure unit fan speed setting is selected.

Plug fuse has blown. Replace fuse. See user servicing instructions under important instructions.

Unit is damaged or in need of repair. Cease usage and unplug. Contact Consumer Service for assistance.

The outlet is worn or damaged. Try another outlet or contact a qualified electrician.

---

### AIRFLOW IS WEAK OR SLOW

Unit set to a low speed setting. Adjust to a higher speed setting.

Airflow is blocked. Remove obstruction.

Adjust direction of airflow towards the user.

---

### GFCI HAS TRIPPED

Under certain conditions, it is possible for a reset GFCI (Ground Fault Circuit Interrupter) outlet to trip when the user is changing speeds on a Vornado circulator. In this event, change to an outlet that is not connected to a GFCI device. It could also indicate a weak or defective GFCI outlet. Contact a qualified electrician to check the GFCI outlet.



## AIR CIRCULATOR SATISFACTION GUARANTEE

Vornado Air LLC ("Vornado") warrants to the original consumer or purchaser this Vornado® Whole Room Circulator ("Product") is free from defects in material or workmanship for a period of five (5) years from the date of purchase. If any such defect is discovered within the warranty period, Vornado, at its discretion, will repair or replace the Product at no cost.

### **FOR WARRANTY OR REPAIR SERVICE:**

Call 1-800-234-0604 or email [help@vornado.com](mailto:help@vornado.com) to obtain a Return Authorization ("RA") form. Please have or include your Product's model number and serial number, as well as your name, address, city, state, Zip code and phone number when contacting Vornado for warranty service.

### **AFTER RECEIVING THE RA FORM, SHIP YOUR PRODUCT TO:**

Vornado Air LLC Attn: Warranty & Repair 415 East 13th Street, Andover, KS 67002. For your convenience, please have your model number and serial number when contacting Vornado with service inquiries. To ensure proper handling, packages must be clearly marked with the RA number. Packages not clearly marked with the RA number may be refused at the receiving dock. Please allow 1-2 weeks for repair and return of your Product after the Product is received.

Repairs not covered by the warranty or outside the warranty period will require a fee to cover the cost of materials, labor, handling and shipping.

This warranty does not apply to defects resulting from abuse of the Product, modification, alteration, mishandling, improper maintenance, commercial use or repair or service of the Product by anyone other than Vornado; damages which occur in shipment or are attributed

to acts of God. Improper product use, which includes using an external device that alters or converts the voltage or frequency of electricity, or shipping a Vornado product to a country not intended for use will void all warranties. Any unauthorized product modification, repair by unauthorized repair center or use of non-approved replacement parts is not recommended and any consequences will not be covered by support services or product warranties. The product warranty will be honored only on models that are being used in the country intended. REPAIR OR REPLACEMENT AS PROVIDED UNDER THIS WARRANTY IS THE EXCLUSIVE REMEDY OF THE CONSUMER. VORNADO SHALL NOT BE LIABLE FOR ANY INCIDENTAL OR CONSEQUENTIAL DAMAGES FOR BREACH OF ANY EXPRESS OR IMPLIED WARRANTY ON THIS PRODUCT. EXCEPT TO THE EXTENT PROHIBITED BY APPLICABLE LAW, ANY IMPLIED WARRANTY OF MERCHANTABILITY OR FITNESS FOR A PARTICULAR PURPOSE ON THIS PRODUCT IS LIMITED IN DURATION TO THE DURATION OF THIS WARRANTY. Some states do not allow the exclusion or limitation of incidental or consequential damages, or allow limitations on how long an implied warranty lasts, so the above limitations or exclusions may not apply to you. This warranty gives you specific legal rights, and you may have other rights that vary from state to state. The manufacturer assumes no responsibility for damage or injury caused by failure to follow these instructions, improper product use or unauthorized product modifications. Any such actions will invalidate the product warranty.

All company names and product names are trademarks of their respective owners. ©All rights reserved. All technical information, data and instructions for the installation, connection and operation contained in these instructions for use correspond to the latest available information at time of printing. The contents of this manual may differ slightly from the actual product. Observe any additional supplements. U.S. Patent 7,530,783.

*Vornado*  
**ALCHEMY**

EST D.  1945

**VORNADO AIR, LLC**

415 EAST 13TH STREET  
ANDOVER, KANSAS 67002

800.234.0604

VORNADO.COM