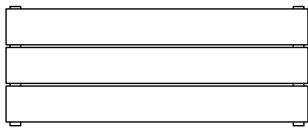


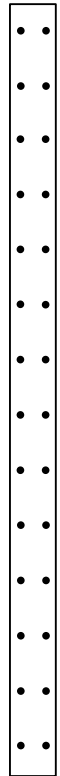
# 6 Shelf Unit

(Packaged in 2 Boxes)

## Parts List



6 Shelves  
Packaged in  
1 Box



12  
Steel  
Support Rods

4  
Uprights  
Packaged in  
1 Box



2  
Tools



24  
Brass Fasteners



23S6U1199

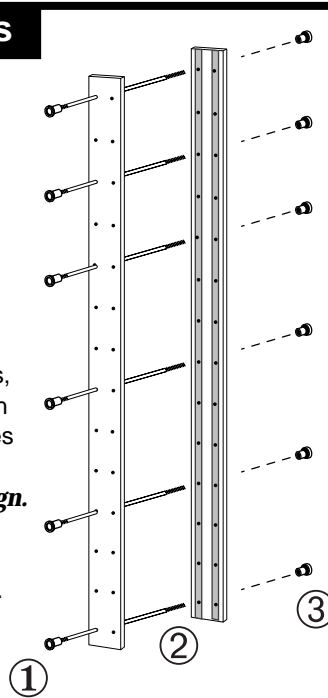
## Begin with the Uprights

- Place a Brass Fastener on ONE END ONLY of each of the 12 Steel Rods.  
**CAUTION:** Turn Brass Fasteners ONE turn only.  
Place two uprights together, smooth sides facing outward.

- Through the LEFT row of holes, insert one steel rod beginning with (top hole) #1 ... then down to holes 3, 5, 8, 11, and 14.  
**Or place rods to fit YOUR design.**

- Add a Brass Fastener to other end of Steel Rods (one turn only).

**Repeat above procedure for next set of uprights.**

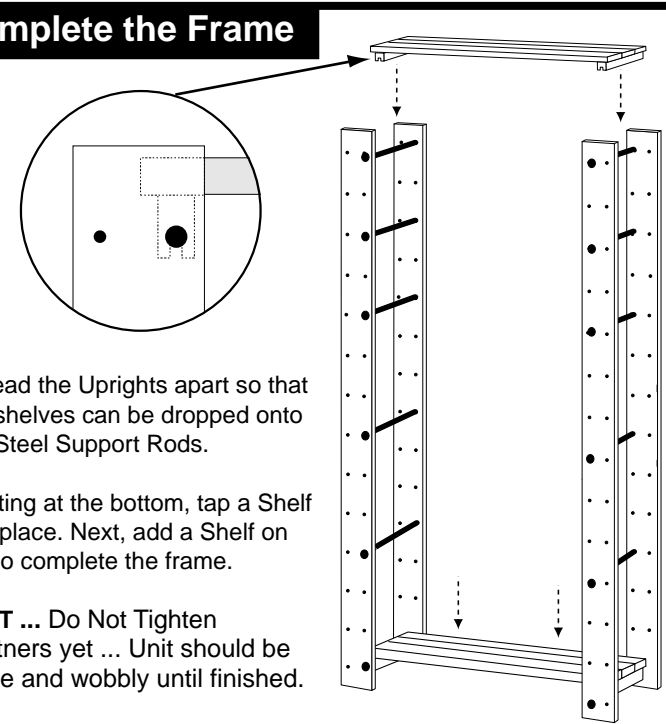


## Complete the Frame

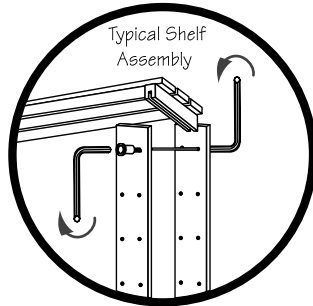
Spread the Uprights apart so that the shelves can be dropped onto the Steel Support Rods.

Starting at the bottom, tap a Shelf into place. Next, add a Shelf on top to complete the frame.

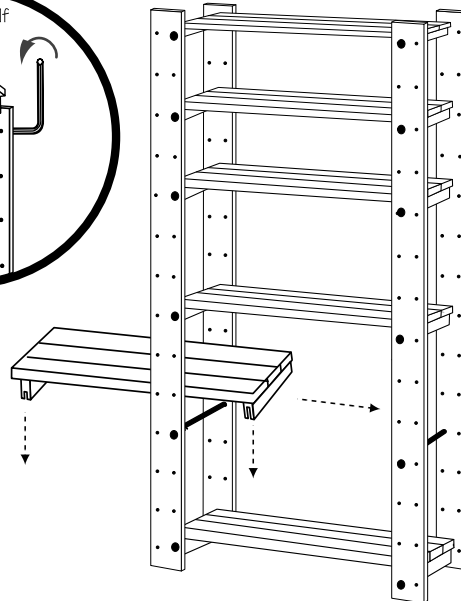
**WAIT ... Do Not Tighten Fasteners yet ... Unit should be loose and wobbly until finished.**



## Add Shelves

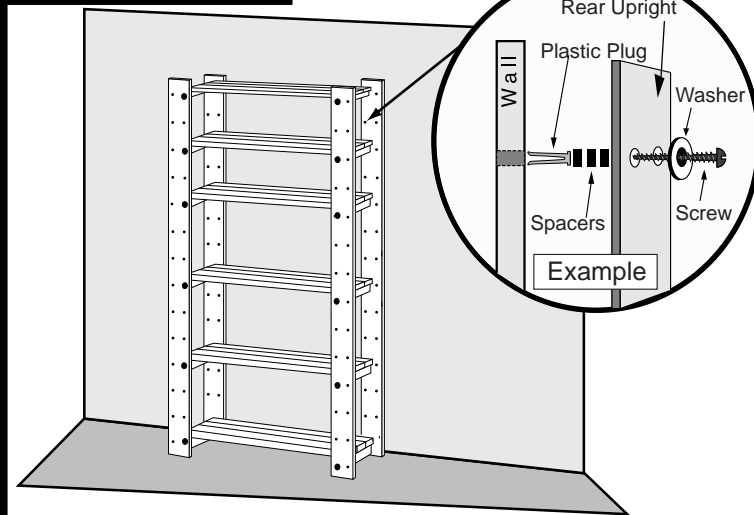


Add remaining shelves. Then insert allen wrenches into Brass Fasteners at both ends of each rod. Turn in opposing directions to tighten.



**Retighten hardware from time to time.**

## Secure to Wall



### IMPORTANT ... For Safety

Secure Shelf Unit to wall with proper hardware for your wall type. When in doubt, consult your local hardware store.

**Note:** Put screws through rear upright holes for fastening to wall.