

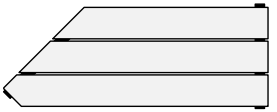
Corner Shelving

(Packaged in 2 Boxes)

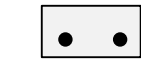
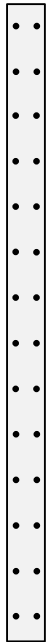
Parts List



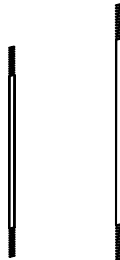
6 Right Shelves



6 Left Shelves



6 Corner Connectors



12 Short
12 Long
Steel Support Rods

5 Uprights
Packaged in
1 Box



48 Brass Fasteners

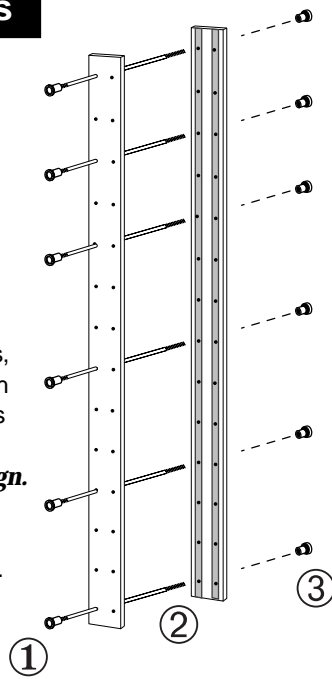


2 Tools



Begin with the Uprights

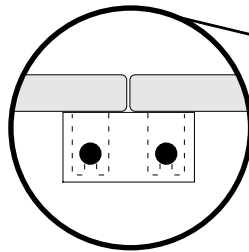
- Place a Brass Fastener on ONE END ONLY of each of the 12 **Short** Support Rods. **CAUTION:** Turn Brass Fasteners ONE turn only. Place two uprights together, smooth sides facing outward.



- Through the LEFT row of holes, insert one steel rod beginning with #1 (top hole) ... then down to holes 3, 5, 8, 11, and 14. **Or place rods to fit YOUR design.**
- Add a Brass Fastener to other end of Steel Rods (one turn only).

Repeat above procedure for next set of uprights.

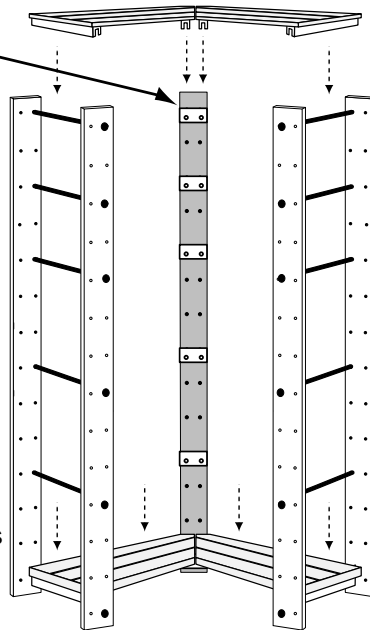
Add Shelves



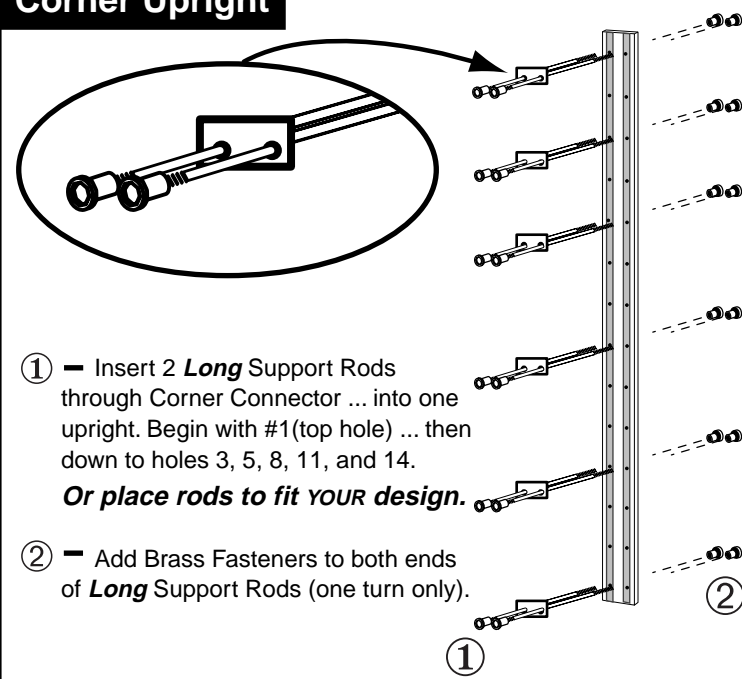
Spread the Uprights apart so that the shelves can be dropped onto the Support Rods.

Starting at the bottom, tap left and right shelves into place. Next add shelves on top to complete frame.

WAIT ... Do Not Tighten Fasteners yet ... Unit should be loose and wobbly until fully assembled.

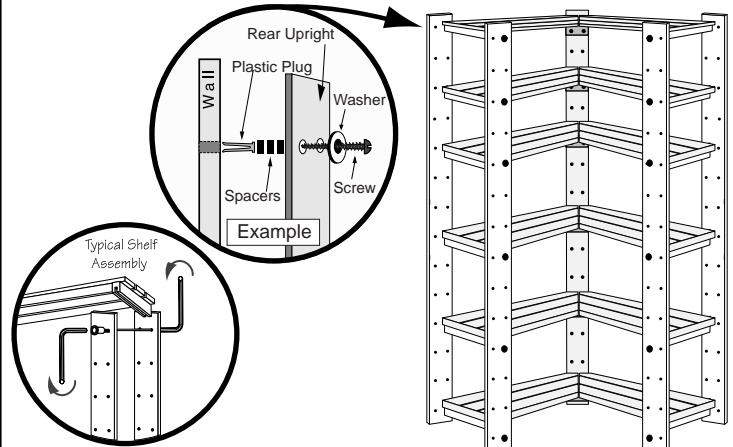


Corner Upright



- Insert 2 **Long** Support Rods through Corner Connector ... into one upright. Begin with #1 (top hole) ... then down to holes 3, 5, 8, 11, and 14. **Or place rods to fit YOUR design.**
- Add Brass Fasteners to both ends of **Long** Support Rods (one turn only).

Complete & Secure to Wall



Add remaining shelves. Then insert Tools into Brass Fasteners at both ends of each rod. Turn Tools in opposing directions to tighten.

Re-tighten hardware periodically.

IMPORTANT ... For Safety

Secure Shelf Unit to wall with proper hardware for your wall type. When in doubt, consult your local hardware store.

Note: Put screws through rear upright holes for fastening to wall.