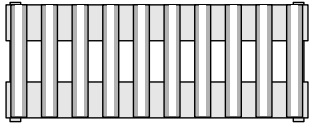


# Wine Taster

## 54 Bottle Rack

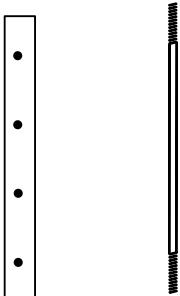
### Parts List



6 Wine Shelves



1 Table Top Shelf



4 Uprights



14 Steel Support Rods



28 Brass Fasteners



2 Tools



23SWTR7S1199

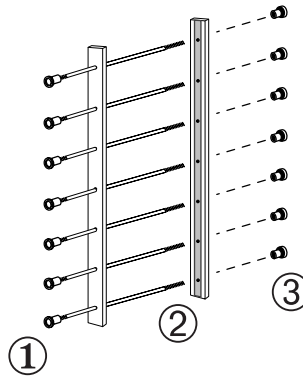
### Begin with the Uprights

① — Place a Brass Fastener on ONE END ONLY of each of the 14 Steel Rods.

**CAUTION:** Turn Brass Fasteners ONE turn only. Place two uprights together, smooth sides facing outward.

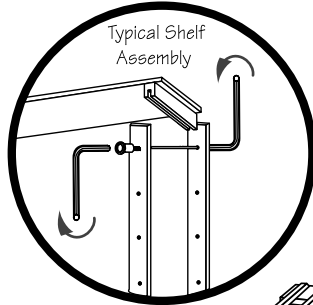
② — Insert steel rods beginning with top hole.

③ — Add a Brass Fastener to other end of Steel Rods (one turn only).

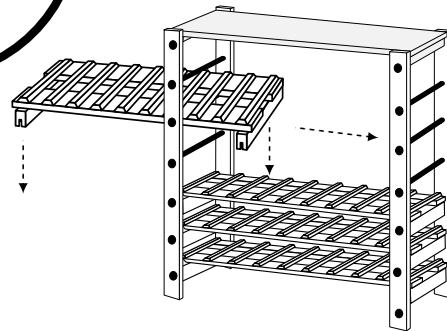


*Repeat above procedure for next set of uprights.*

### Add Shelves

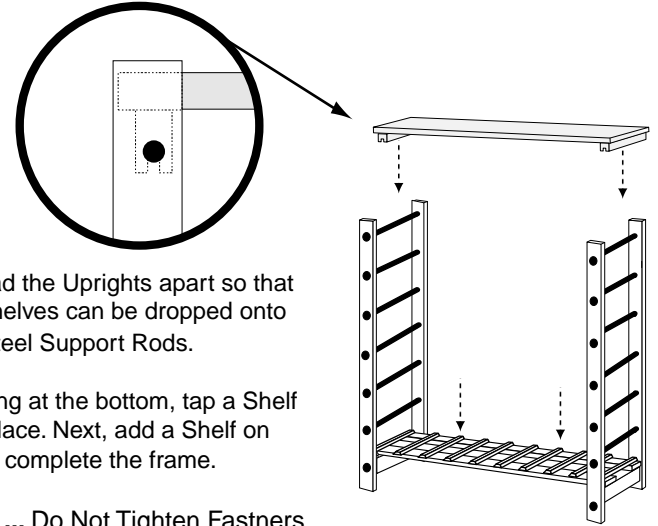


Add remaining shelves. Insert allen wrenches into Brass Fasteners at both ends of each rod. Turn in opposing directions to tighten.



*For best results, Retighten hardware ... in a month.*

### Complete the Frame

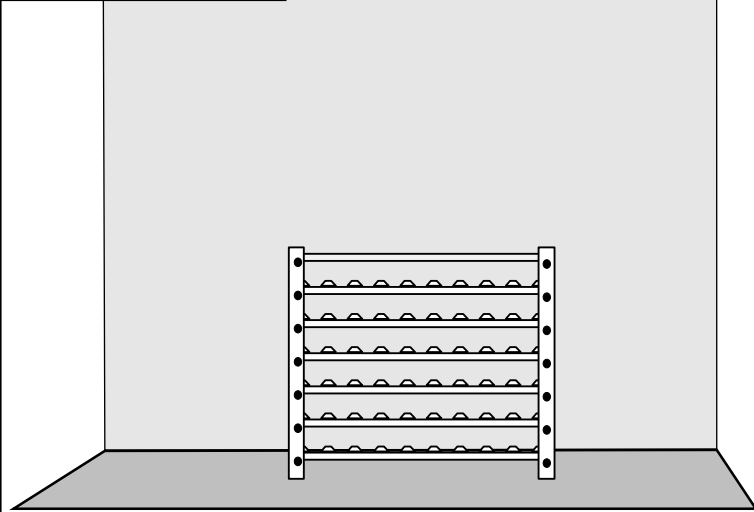


Spread the Uprights apart so that the shelves can be dropped onto the Steel Support Rods.

Starting at the bottom, tap a Shelf into place. Next, add a Shelf on top to complete the frame.

**WAIT ... Do Not Tighten Fasteners yet ... Rack should be loose and wobbly until finished.**

### Secure to Wall



**IMPORTANT ... For Safety**

Secure Shelf Unit to wall with proper hardware for your wall type. When in doubt, consult your local hardware store.

**Note:** Put screws through rear upright holes for fastening to wall.