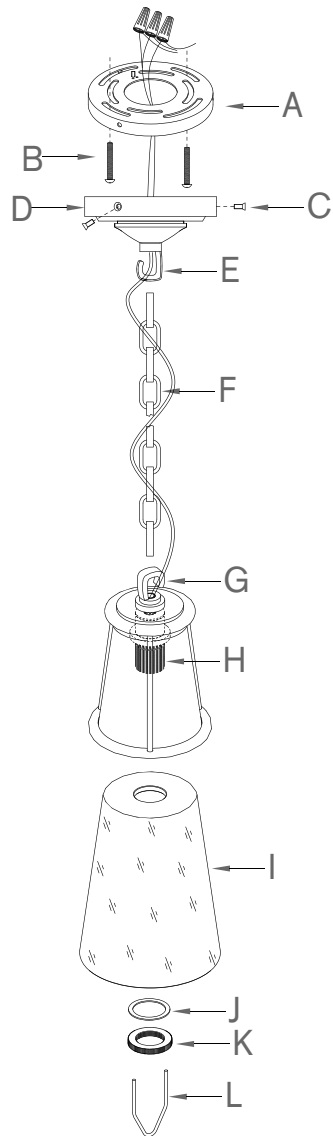


## ASSEMBLY INSTRUCTIONS



## Robinson Small Pendant

Item # TOB5751

**WE RECOMMEND INSTALLATION OF THIS LIGHTING FIXTURE BE DONE BY A LICENSED ELECTRICIAN.**

**WARNING \*\*\* SWITCH OFF THE MAIN ELECTRICAL SUPPLY FROM THE MAIN FUSE BOX/CIRCUIT BREAKER BEFORE INSTALLATION.**

**INSPECT ITEM CAREFULLY BEFORE ATTEMPTING TO INSTALL. IF THERE IS ANY DAMAGE OR OBVIOUS DEFECT, DO NOT INSTALL.**

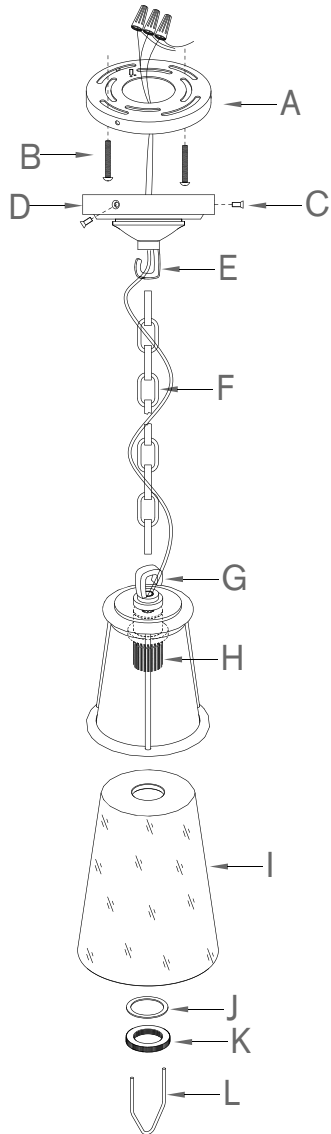
**ITEM MAY NOT BE RETURNED ONCE IT HAS BEEN INSTALLED.**

1. Attach one side end link of chain (F) to top loop (G).
2. Feed wire through chain (F), come out from back side of canopy (D).
3. Attach chain (F) with light fixture to chain mounting loop (E) at desired height.
4. Remove mounting plate (A) from canopy (D) by removing canopy screws (C) in counter-clockwise direction.
5. Affix mounting plate (A) to ceiling outlet box with mounting screws (B) provided.
6. Gently pull the wires from the ceiling outlet and allow the wires to hang. Thread the wire through the center hole of mounting plate (A).
7. Attach the bare copper ground from the fixture (copper or nickel in color) to the ground junction box wire (usually green or copper), fasten together with a plastic wire connector. Tighten wrap the wire connector with electrical tape. Be sure no wire strands are exposed. IT IS IMPERATIVE THAT THE OUTLET BOX IN YOUR HOME BE PROPERLY GROUNDED.
8. Connect neutral wire from fixture (ridges molded wire) to the neutral wire from the junction box (usually white) . Fasten both wires together with a plastic wire connector and tightly wrap the wire connctor with electrical tape. Be sure no wire strands are exposed.
9. Connect the hot wires from the fixture (smooth wire) to the hot wire (usually black ) from the junction box. Fasten each together with a plastic wire connctor and wrap the connection with eletrical tape. DO NOT REVERSE THE HOT AND NEUTRAL CONNECTIONS OTHERWISE SAFETY WILL BE COMPROMISED.



VISUAL COMFORT & Co. Est. 1987

## ASSEMBLY INSTRUCTIONS



## Robinson Small Pendant

Item # TOB5751

**WE RECOMMEND INSTALLATION OF THIS LIGHTING FIXTURE BE DONE BY A LICENSED ELECTRICIAN.**

**WARNING \*\*\* SWITCH OFF THE MAIN ELECTRICAL SUPPLY FROM THE MAIN FUSE BOX/CIRCUIT BREAKER BEFORE INSTALLATION.**

**INSPECT ITEM CAREFULLY BEFORE ATTEMPTING TO INSTALL. IF THERE IS ANY DAMAGE OR OBVIOUS DEFECT, DO NOT INSTALL.**

**ITEM MAY NOT BE RETURNED ONCE IT HAS BEEN INSTALLED.**

11. Tuck wire connections neatly into ceiling outlet box.
12. Attach canopy (D) to the affixed mounting plate (A) and secure canopy screws (C).
13. Remove socket ring (K) and washer (J) from threaded socket (H) by using wrench (L), carefully place shade (I) onto threaded socket (H) and secure by replacing washer (J) and socket ring (K).
14. Tighten with wrench (L). DO NOT OVER TIGHTEN OTHERWISE GLASS WILL BE DAMAGE.
15. Insert light bulb (not included) into socket.

\*\*\* Clean with a dry, soft cloth only. Do not use harsh abrasives or chemical agents.

