

Mercer Bed King

Important Safety Instructions:

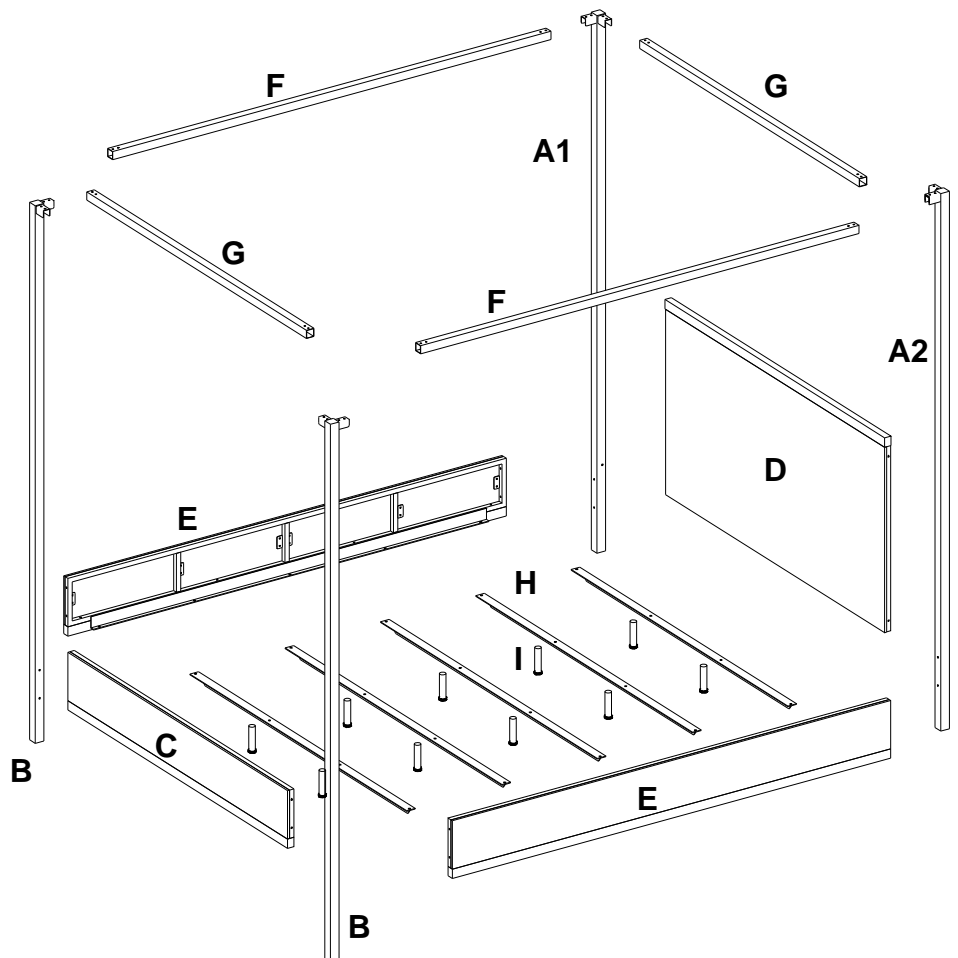
- Please read all instructions carefully before assembling.
- For your safety, assembly by two or more adults is strongly recommended.
- Keep instructions for future use.
- Use only vendor supplied hardware to assemble. Using unauthorized hardware could jeopardize the structural integrity of the item.

Pre-assembly:


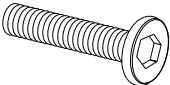

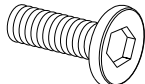
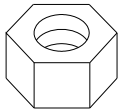
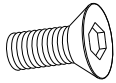
- Remove all parts and hardware from the box and lay out on a clear carpeted or scratch-free work surface, as this will avoid damaging parts during assembly. The shipping box provides an ideal work surface.
- Do not dispose of any packaging or contents of the shipping carton until assembly is completed to avoid accidentally discarding small parts or hardware.
- Use the parts and hardware lists below to identify and separate each of the pieces included.
- The illustrations provided allow for easier assembly when used in conjunction with the assembly instructions.
- The use of power tools to aid in assembly is not recommended. Power tools can damage hardware and split wood.

Parts Included:

A1	Post	1x
A2	Post	1x
B	Post	2x
C	Footboard	1x
D	Headboard	1x
E	Side Rail	2x
F	Long Stretcher	2x
G	Short Stretcher	2x
H	Slat	5x
I	Support Leg	10x

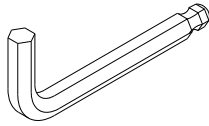


Hardware Included:

(J) Spring Washer	(K) Bolt	(L) Flat Washer	(M) Bolt	(N) Nut	(O) Flat Head Bolt
					
36 x	M6 x32mm 16 x	46 x	M6 x19mm 20 x	10 x	M6 x12mm 16 x

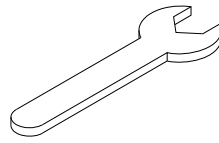
Tools Required:

(P)
Allen Wrench



1x

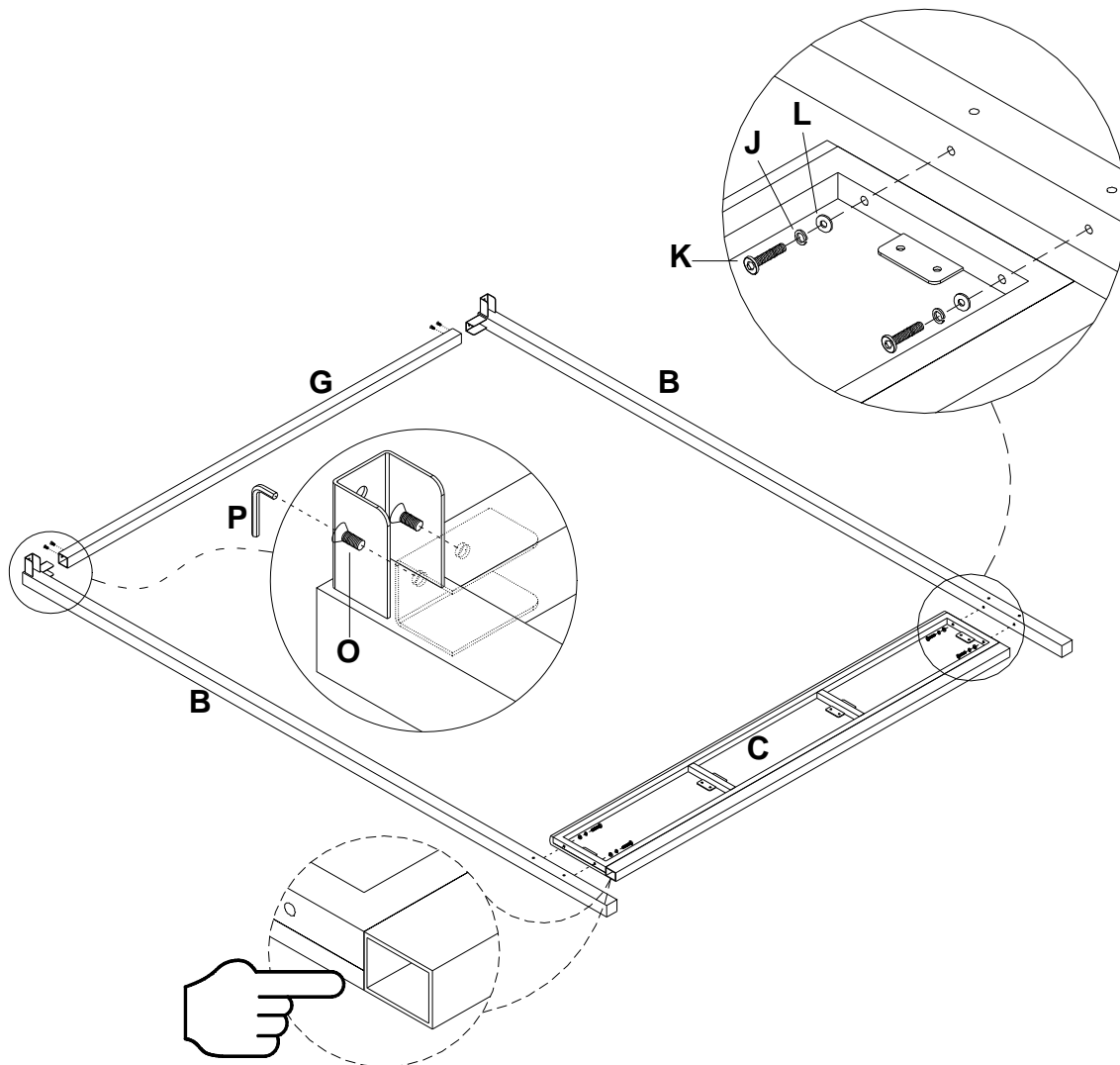
(Q)
Open Wrench



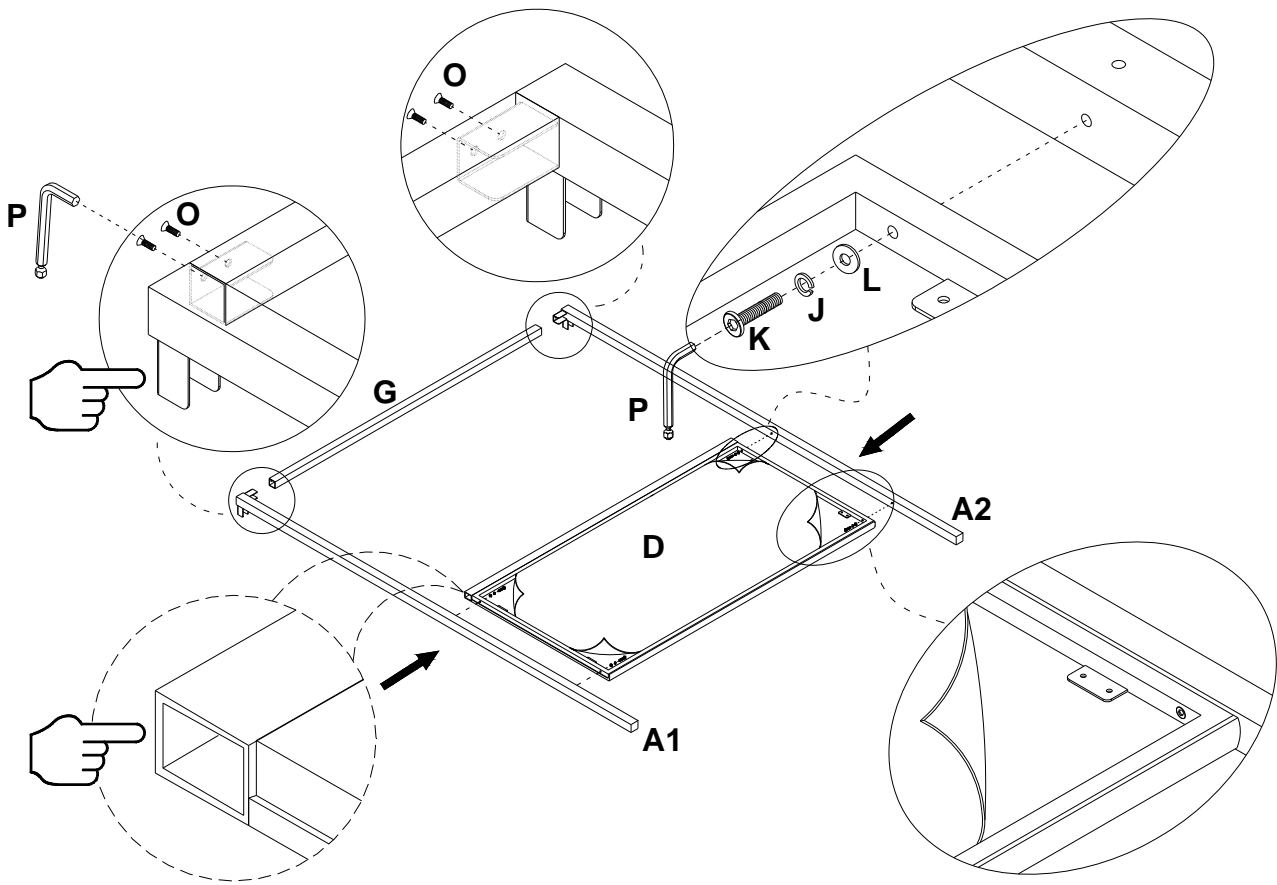
1x

Assembly Instruction Steps:

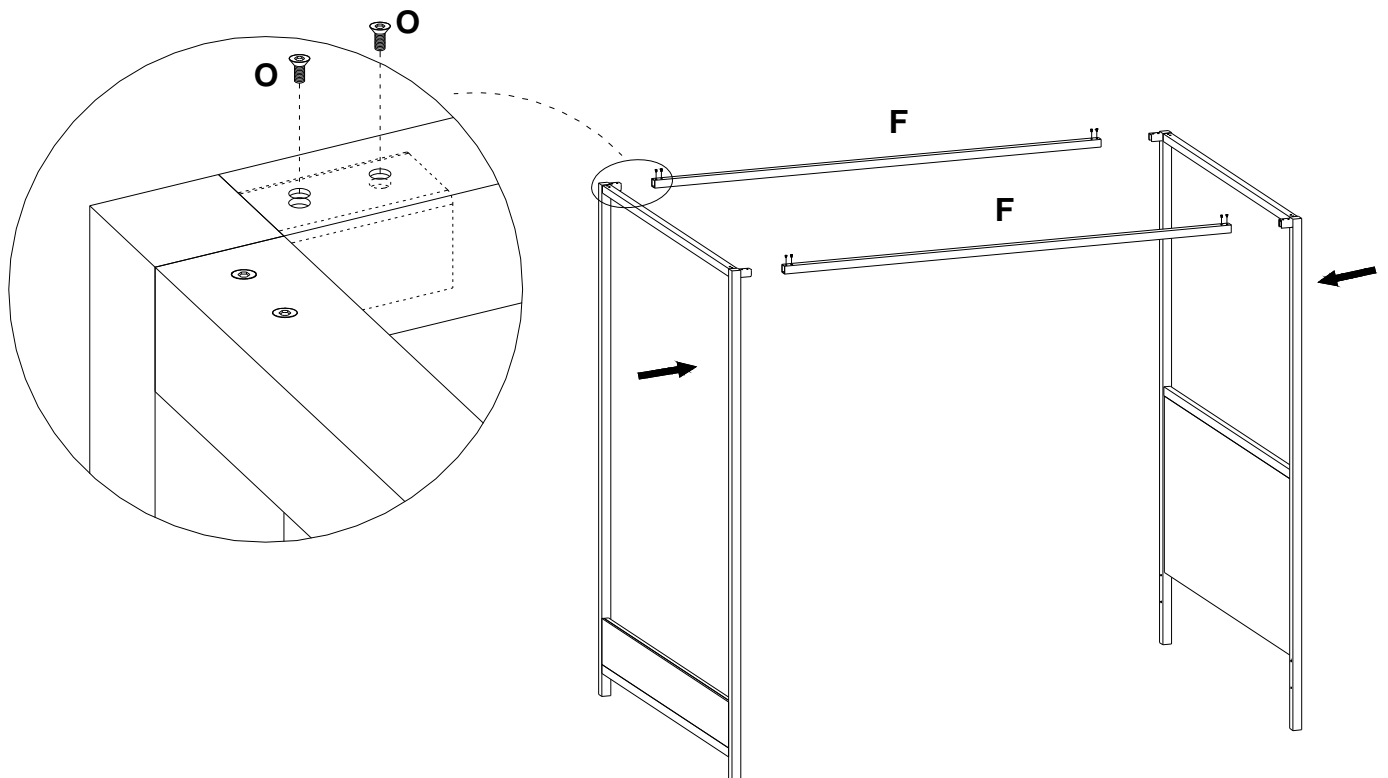
1. Attach Post (B) to Short Stretcher (G) and Footboard (C) as shown, secure the Short Stretcher (G) by using Bolt (O), secure the Footboard (C) by using Bolt (K), Spring Washer (J) and Flat Washer (L), tighten with Allen Wrench (P).



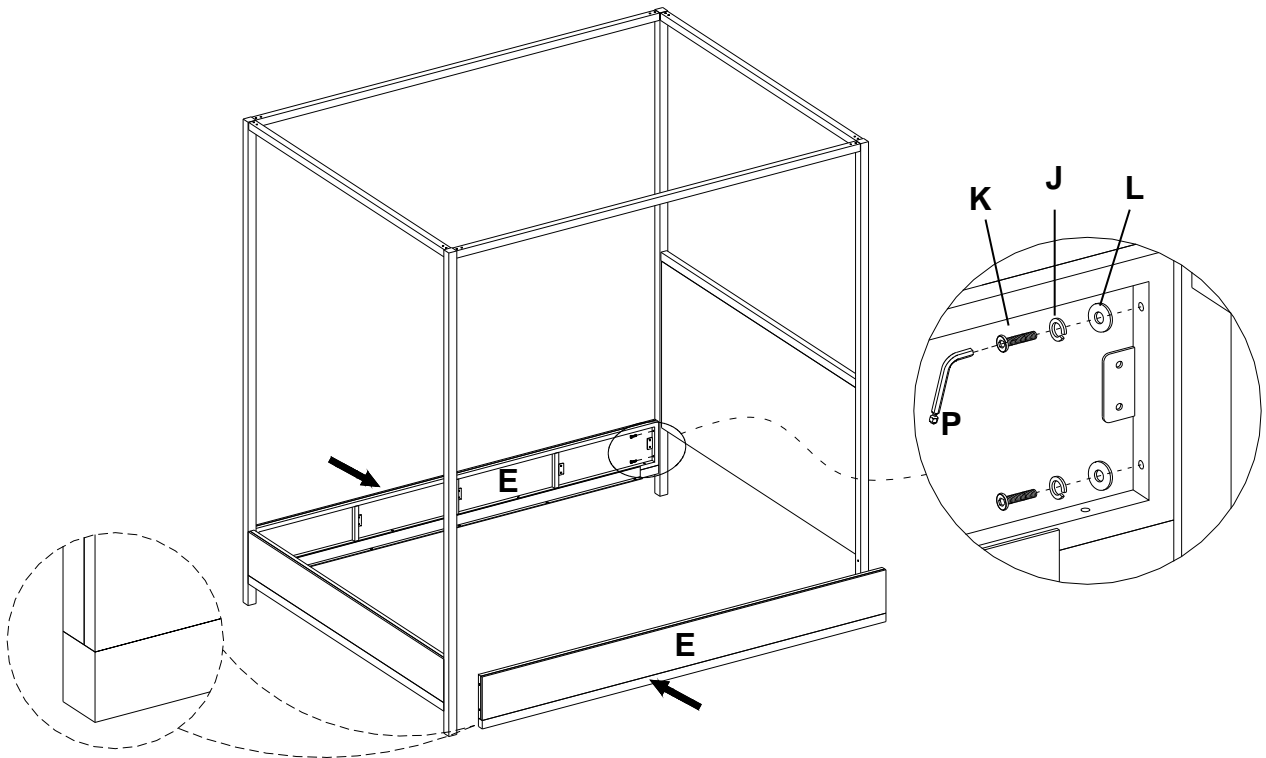
2. Attach Post (A) to Short Stretcher (G) and Headboard (D) as shown, secure the Short Stretcher (G) by using Bolt (O), secure the Headboard (D) by using Bolt (K), Spring Washer (J) and Flat Washer (L), tighten with Allen Wrench (P).



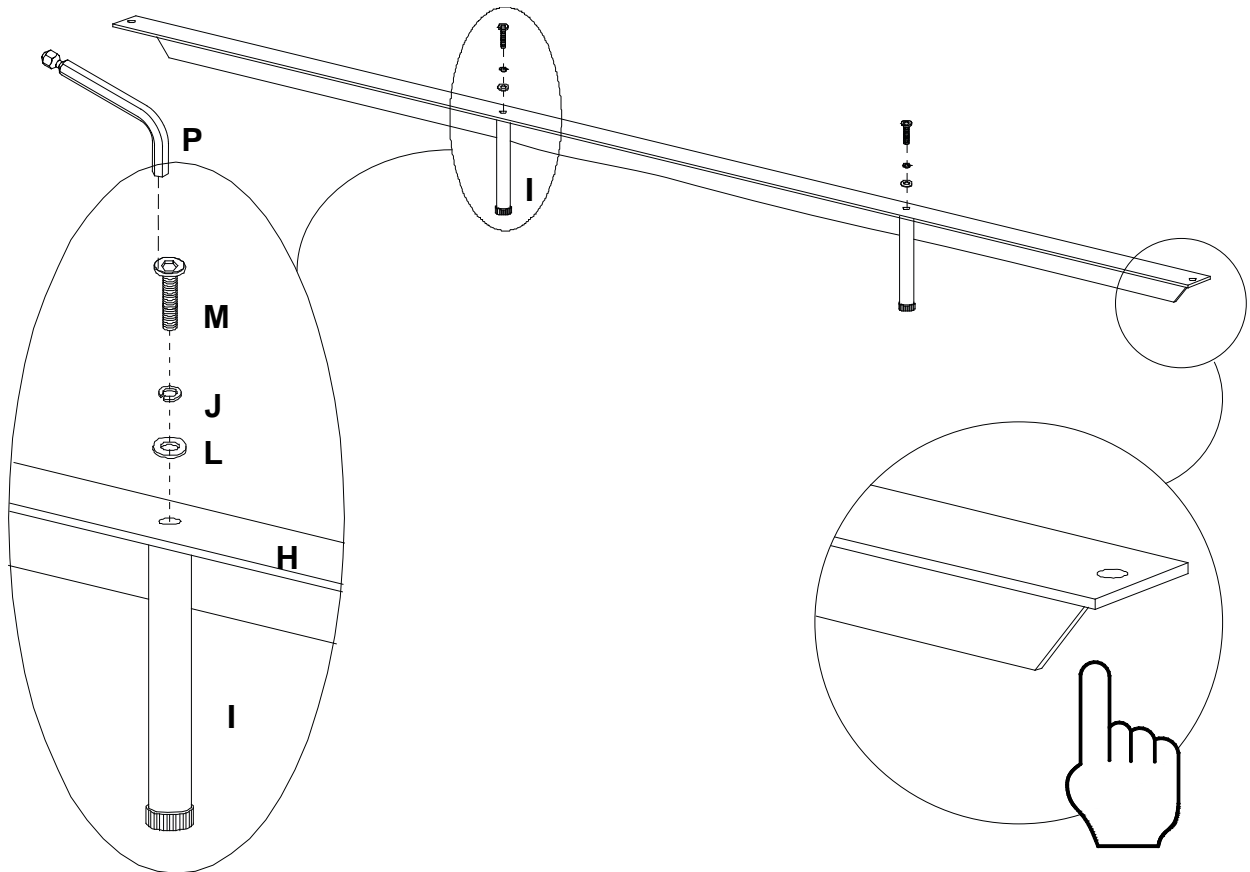
3. Attach Long Stretcher (F) to the assembly as shown, insert Bolt (O) and tighten with Allen Wrench (P).



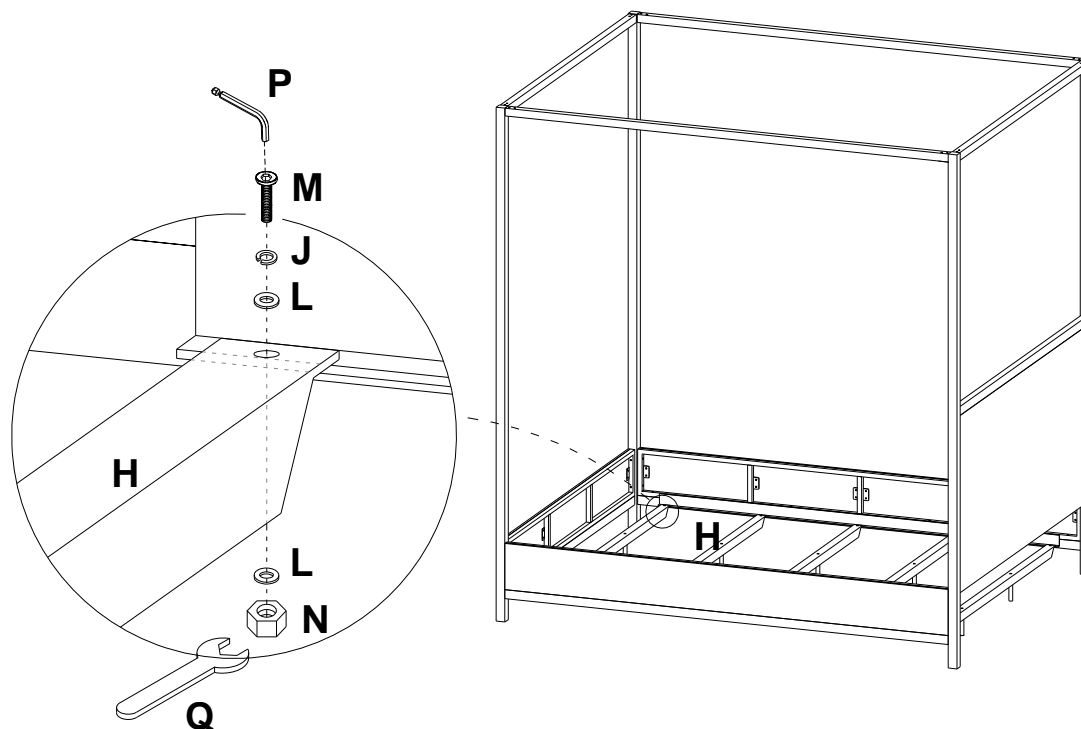
4. Attach Side Rail (E) to the assembly as shown, insert Bolt (K) thru Spring Washer (J) and Flat Washer (L), tighten with Allen Wrench (P).



5. Attach Support Leg (I) to Slat (H) by using Bolt (M), Spring Washer (J) and Flat washer (L), tighten with Allen Wrench (P).



6. Attach the Slat (H) to Side Rail (E) by using Bolt (M), Spring Washer (J), Flat Washer (L) and Nut (N), tighten with Allen Wrench (P) and Open Wrench (Q).



Finally, fully tighten all bolts with the provided Wrench, assembly is complete!

Care Instructions:

- Dust often using a clean, soft, dry and lint-free cloth.
- Blot spills immediately and wipe with a clean, damp, cloth.
- We do not recommend the use of chemical cleansers, abrasives or furniture polish on our lacquered finish.
- Hardware may loosen over time. Periodically check to make sure all connections are tight.
Re-tighten if necessary.

Thank you for your purchase
Stores | catalog