



Lucio Chandelier Assembly and Installation Instructions

CAUTION:

- **BEFORE INSTALLING FIXTURE, MAKE SURE THE POWER TO THE CIRCUIT IS TURNED OFF AT THE MAIN FUSE BOX / CIRCUIT BREAKER UTILITY BOX.**

Important Safety Instructions:

- These instructions are provided for your safety. It is very important that they are read carefully and completely before beginning the assembly and installation of this lighting fixture.
- We strongly recommend that a professional electrician install all direct wire fixtures.
- THIS PRODUCT MUST BE INSTALLED IN ACCORDANCE WITH THE APPLICABLE INSTALLATION CODES BY A PERSON FAMILIAR WITH THE CONSTRUCTION AND OPERATION OF THE PRODUCT AND THE HAZARDS INVOLVED.
- The lighting fixture is meant for indoor use. It must be connected only to 3-wire, single-phase electrical supply systems (provided with Ground wire or equivalent protection system).
- For your safety, it is strongly recommended that two people install the lighting fixture.
- This fixture has been rated for up to sixteen (16) **40-Watt maximum TYPE B standard incandescent light bulbs** (not included) To avoid the risk of fire, do not exceed the recommended lamp wattage.
- Use with approved Williams-Sonoma Home Shades only, having a minimum opening diameter of 3-1/2 inches and a minimum lamp-to-shade spacing of 2 inches.
- The lighting fixture is meant for indoor use, DRY LOCATIONS ONLY.
- **Save these instructions.**

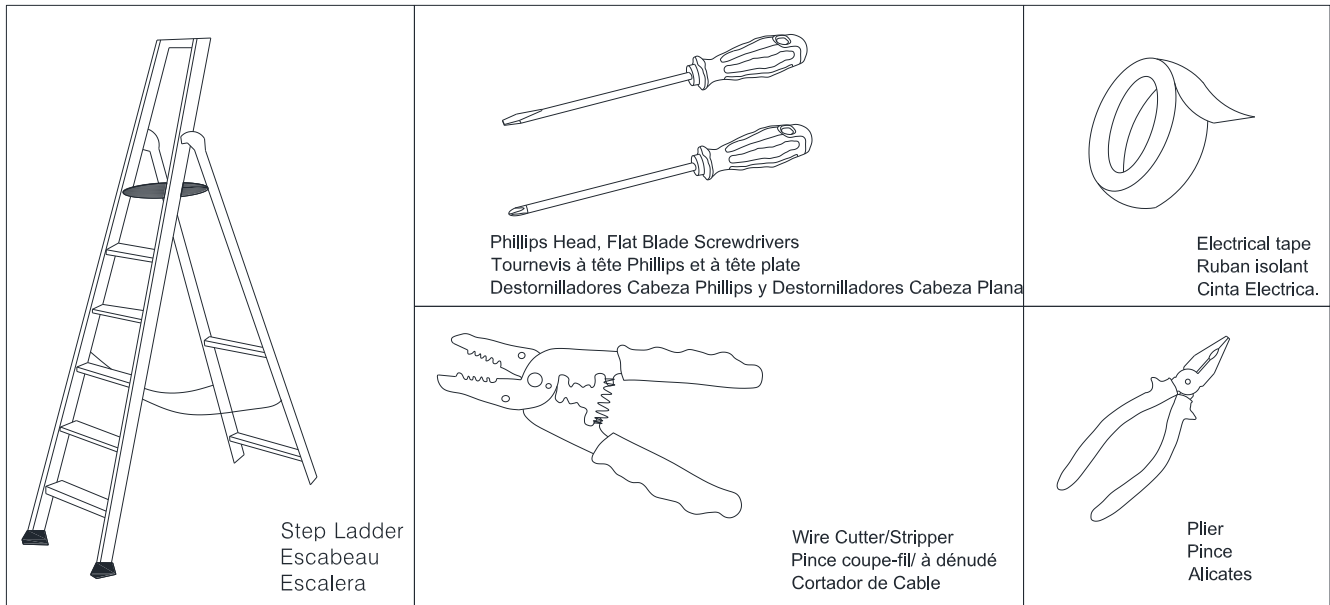
WARNING:

- **To reduce the risk of fire, electrical shock or personal injury, always turn off light fixture and allow it to cool prior to replacing light bulb.**
- **Do not touch bulb when fixture is turned on. Do not look directly at lit bulb.**
- **Keep flammable materials away from lit bulb.**
- **This lighting fixture contains lead, a chemical known to the State of California to cause cancer, birth defects and other reproductive harm. Wash hands after installing, handling, cleaning or otherwise touching this light fixture.**

Pre-assembly:

- Remove all parts and hardware from box along with any plastic protective packaging.
- Do not discard any contents until after assembly is complete to avoid accidentally discarding small parts or hardware.
- For your safety and convenience, assembly by two people is recommended.

TOOLS REQUIRED (not included):

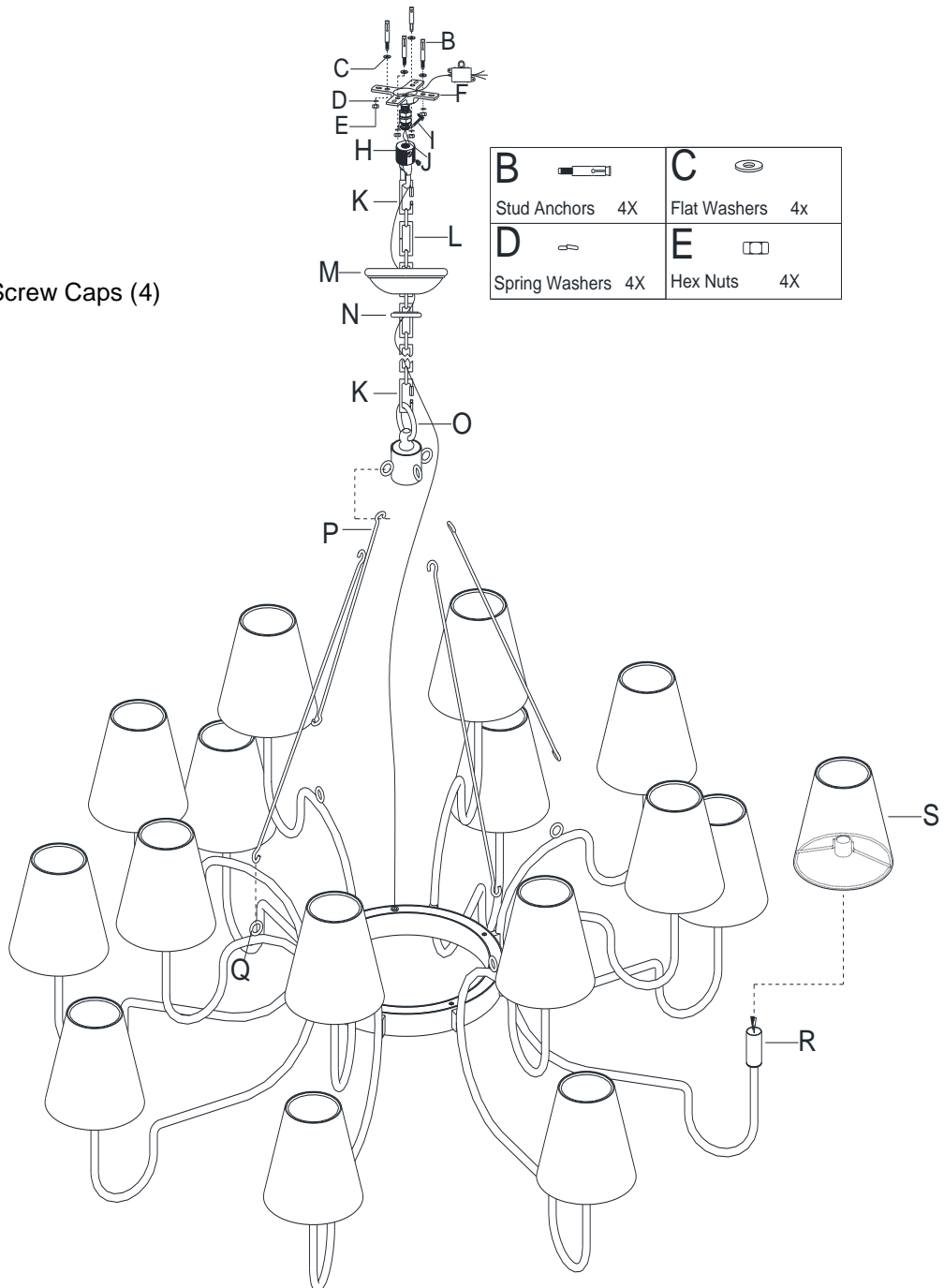


Parts Included:

- (F) Cross Plate (1)
- (H) Hanging Loop (1)
- (I) Cord Clip (1)
- (J) Nipple (1)
- (K) Closable Links with Screw Caps (4)
- (L) Chain (1)
- (M) Canopy (1)
- (N) Canopy Nut (1)
- (O) Hanging ring (1)
- (P) Hooks (4)
- (Q) Rings on fixture (4)
- (R) Candle Cover (16)
- (S) Shade (16)

Hardware Enclosed:

- (B) Stud Anchors (4)
- (C) Flat Washers (4)
- (D) Spring Washers (4)
- (E) Hex Nuts (4)

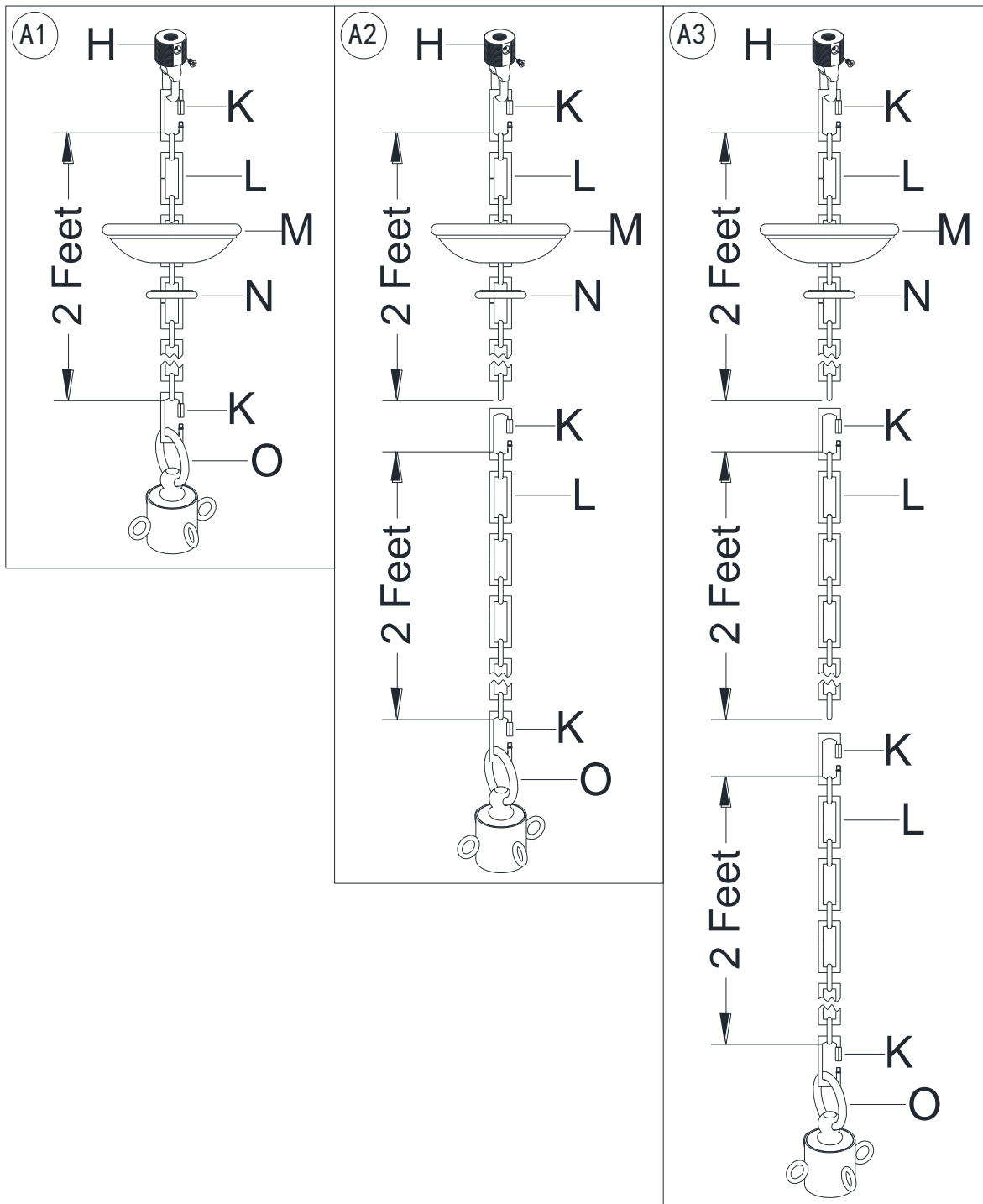


To adjust the suspension length of the fixture:

1. Note: The adjustment or shortening of the lighting fixture's suspension length is only needed if the factory set length is not appropriate. If the parts are not already preassembled or if suspension length adjustments were not made, please use the instruction below for the proper assembly to the desired suspension length. We recommend that you adjust the lighting fixture to the proper desired length before cutting the electrical cord. Determine the lighting fixture suspension length from the ceiling for the product installation, allowing the extra cord length for the outlet junction box wire connections as noted below.

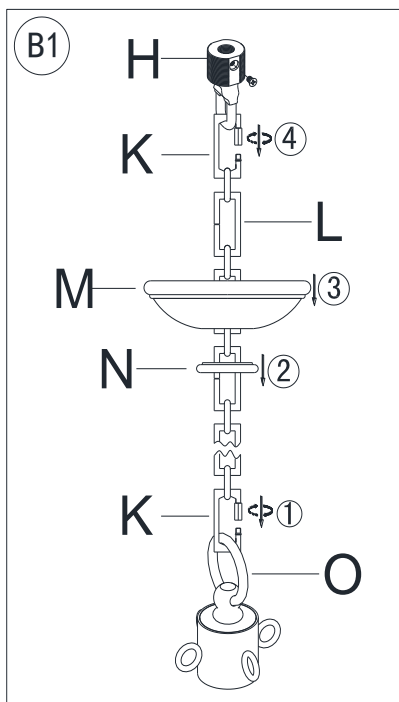
There are three hanging lengths for this light fixture as below:

- a. Remove two sections of 2 Feet chain from the closable link in the Chain. (Refer to A1 below).
- b. Remove one section of 2 Feet chain from the closable link in the Chain. (Refer to A2 below).
- c. Keep original 6 Feet chain unchanged. (Refer to A3 below)
- d. If need other length of the chain, use steel wire cutter to adjust the chain length.



Assembly & Installation Instructions:

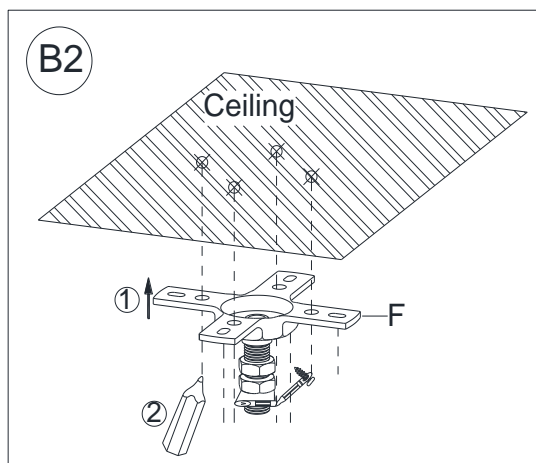
- **SHUT OFF THE MAIN ELECTRICAL SUPPLY FROM THE MAIN FUSE BOX/CIRCUIT BREAKER.**
- Carefully unpack all fixture parts and hardware and lay them on a clear workspace.
- **If the parts are not already preassembled or if suspension length adjustments were not made, please use the instruction section above “To Adjust the Suspension Length of the Fixture” for the proper assembly of the chain (K & L) to the desired suspension length.**



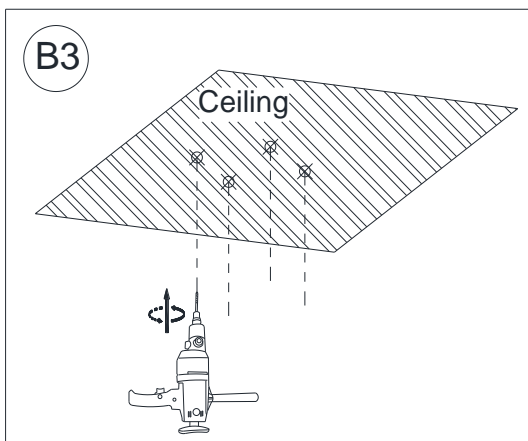
1. Attach the Closable Links with Screw Caps (K) onto the Fixture Loop (O) and bottom loop of Chain (L).
2. Slide the Canopy Nut (N) over the Chain (L).
3. Slide the Canopy (M) over the Chain (L).
4. Attach the remaining Closable Links with Screw Caps (K) onto the Mounting Loop (H) and top loop of Chain (L).

Mounting Instruction:

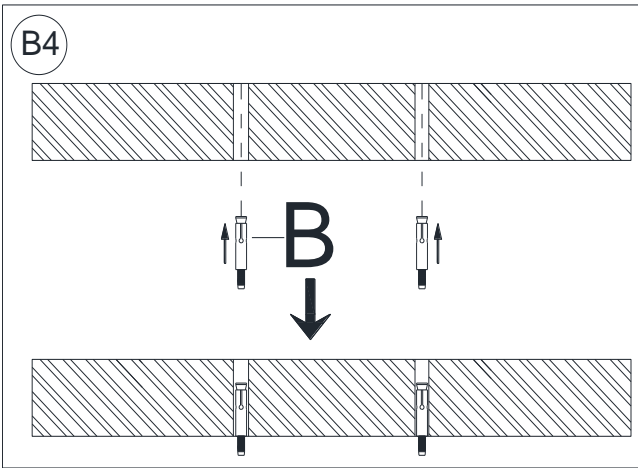
Option A: (For concrete ceiling only)



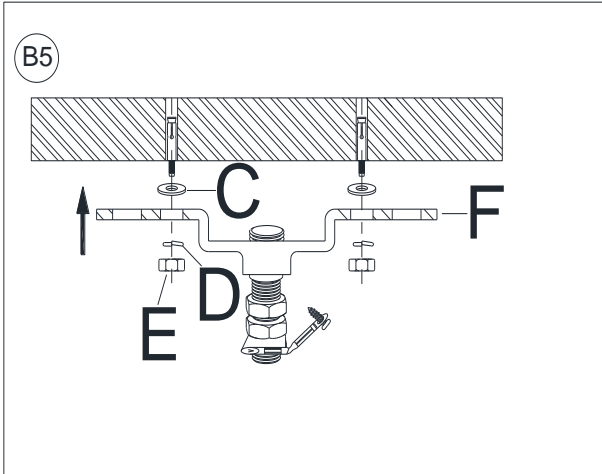
1. Determine the desired location of the light fixture and temporarily install the Cross Plate (F) to the ceiling J-box, mark the 4 slot locations of the Cross Plate (F) on the ceiling using a pencil.
2. Remove Cross Plate (F) after marking the slot locations



Using the drill with the appropriate size drill bit (just large enough to make hole that will allow passage of the Stud Anchors (B), drill 1 hole in the ceiling at each of the 4 marked slot locations for the Stud Anchors (B).



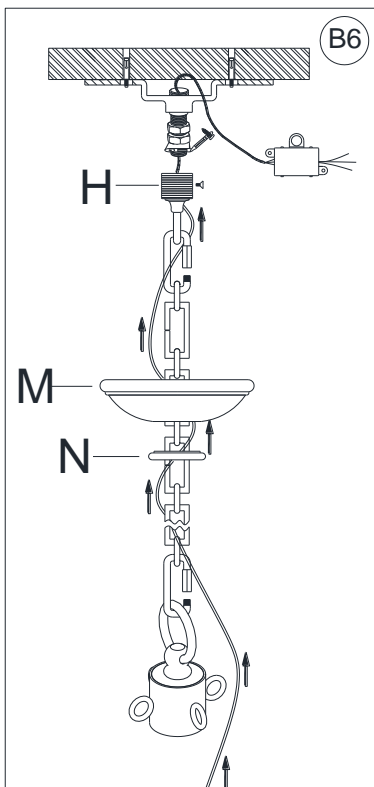
Insert the Stud Anchors (B) into each of the 4 ceiling holes.



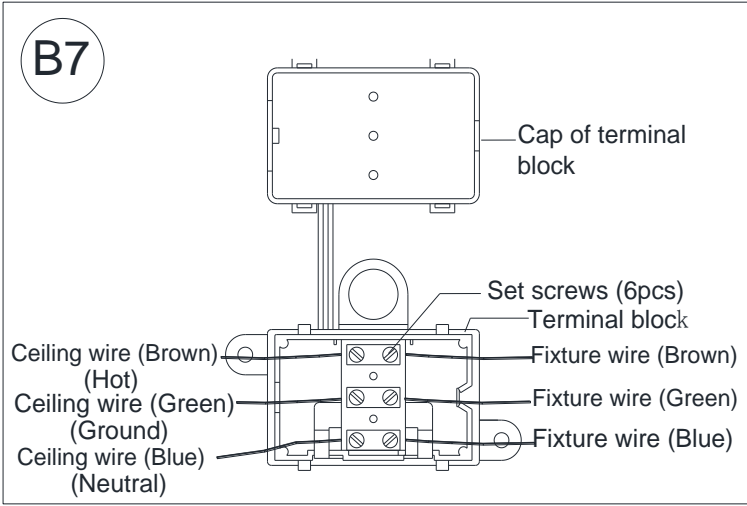
1. Place Cross Plate (F) to ceiling outlet box, letting bottom threaded section of Stud Anchors (B) pass through the inner holes of Cross Plate (F) and secure with Nuts (E) .Note: Place Flat Washer (C) in between the Stud Anchors (B) and the Cross Plate (F); Place Spring Washer (D) in between with Cross Plate (F) and Nuts (E).

Option B: (For other ceilings)

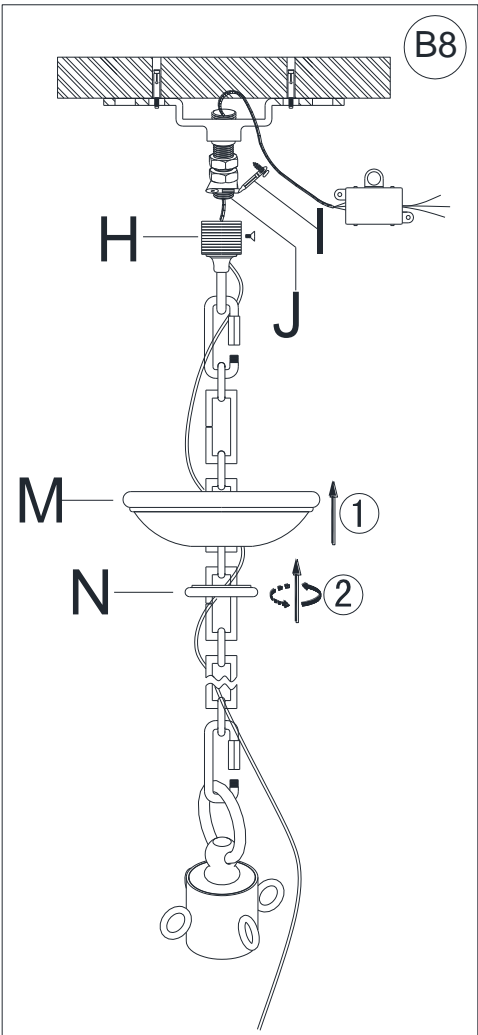
Please check with your local hardware supplier for the proper mounting hardware for their specific application.



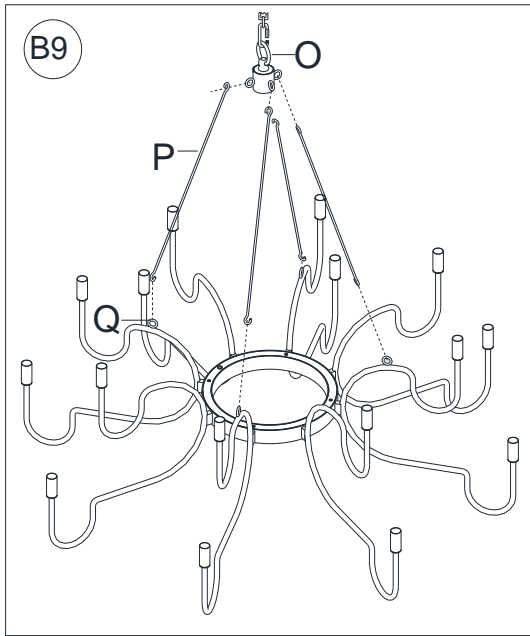
Weave the fixtures power cord through every other loop to the top of Chain (L), and *then through the Hanging Loop (H) and Nipple (I)*, and come out from the center hole of the Cross Plate (F).



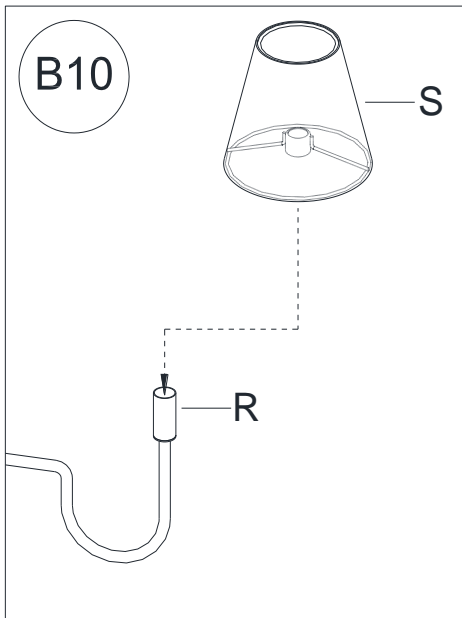
1. Loosen all set screws of terminal block, connect the fixture wires to one end of terminal block by inserting fixture wire and connect the ceiling wires to the another end of terminal block, tighten set screws to secure. Note: DO NOT REVERSE THE HOT AND NEUTRAL CONNECTIONS OTHERWISE SAFETY WITLL BE COMPROMISED.
2. Close the cap of terminal block.



1. Loosen side screw of Mounting Loop (H), and screw Mounting Loop (H) onto the nipple (J). Tighten with side screw of Mounting Loop (H).
2. Clip the extra cords with the Cord Clip (I).
3. Slide the Canopy (M) upward along the Connection Chain (L) until the upper rim of the canopy pressed gently against the ceiling surface. Position the Canopy Nut (N) against the Mounting Loop (H) and rotate the nut clockwise to engage it with the threaded portion of the Mounting Loop (H) until secure. Do not over tighten this nut.



Hook the hooks (P) onto the fixture loop (O) and rings (Q) on light fixture.



Attach center cup of shade (S) onto top of the candle cover (R).
Insert the specified light bulbs into the Sockets.
DO NOT EXCEED THE SPECIFIED WATTAGE.

Care instructions:

- Wipe clean with a soft, dry cloth or static duster.
- Always avoid the use of harsh chemicals or abrasive cleaners as they may cause damage to the fixture's finish.

Thank you for your purchase
Stores | catalog | www.williams-sonoma.com
USA 1.877.812.6235