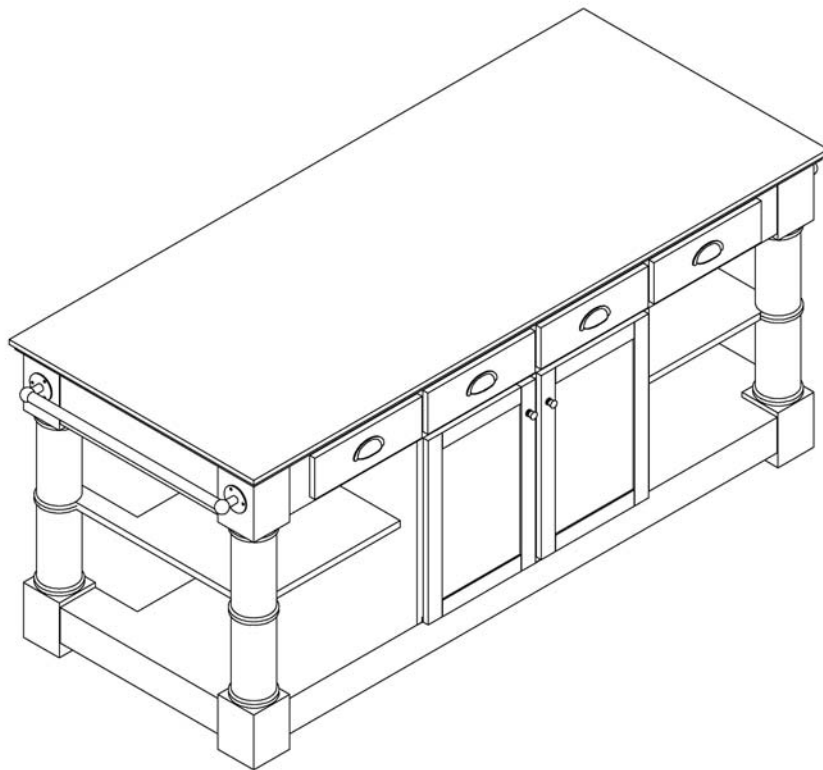




**BARRELSON KITCHEN ISLAND  
WITH WHITE CARRARA MARBLE TOP**

**ASSEMBLY INSTRUCTIONS**



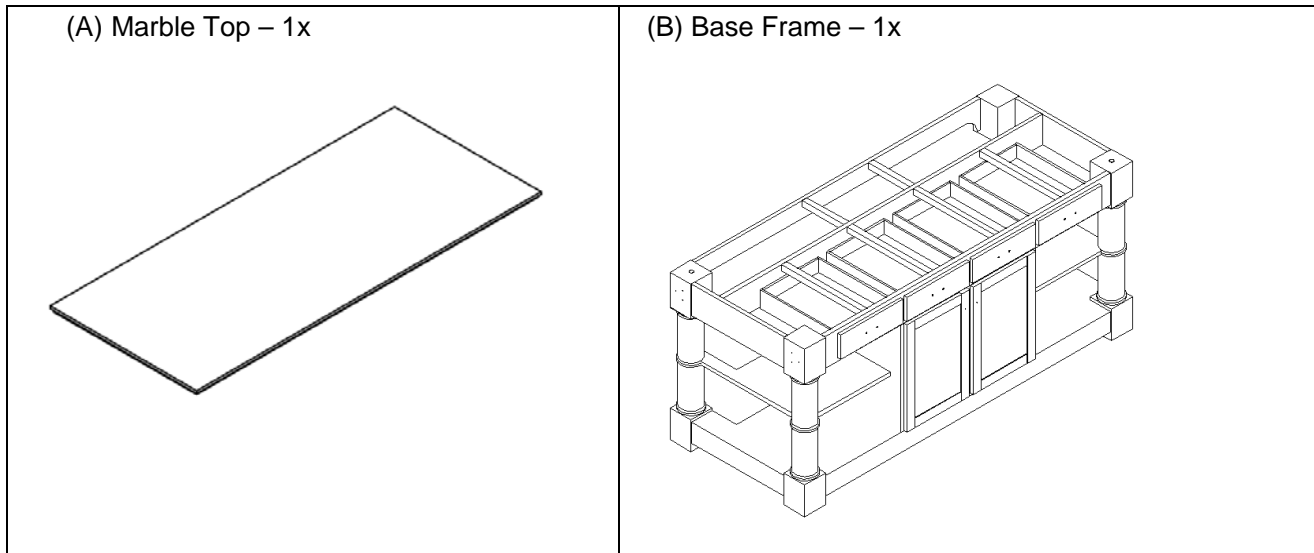
**Important Safety Instructions:**

- Please read all instructions carefully before assembling this Barrelson Island Kitchen.
- For your safety, assembly by two or more adults is strongly recommended.
- Keep these instructions for future use.
- Use only vendor-supplied hardware to assemble this item. Using unauthorized hardware could jeopardize the structural integrity of the item.

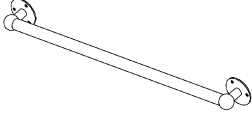
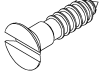
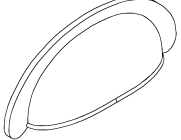
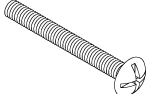
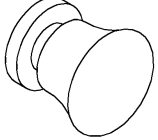
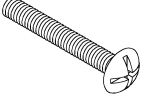
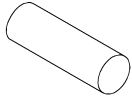
**Pre-assembly:**

- Remove all parts and hardware from the box. Place all items on a carpeted or scratch-free work surface, as this will avoid damaging parts during assembly. The shipping box provides an ideal work surface.
- To avoid accidentally discarding small parts or hardware, do not dispose of any packaging or contents of the shipping carton until assembly is complete.
- Use the parts and hardware lists below to identify and separate each of the pieces included.
- The illustrations provided allow for easier assembly when used in conjunction with the assembly instructions.
- The use of power tools to aid in assembly is not recommended. Power tools can damage the hardware and split the wood.

**Parts Included:**



**Hardware Included:**

<p>(C) Towel bar -2x</p> 	<p>(D) Screw 3/16" x 6/8" - 12x</p> 	<p>(E) Drawer pull handle – 4x</p> 	
<p>(F) Long Bolt 3/16" x 1-3/16" - 8x</p> 	<p>(G) Knob - 2x</p> 	<p>(H) Short Bolt 3/16" x 1" - 2x</p> 	<p>(I) Wood dowel 6/8" x 1-3/8" - 2x</p> 

### Tools required (not included)

(J) Slotted head screw driver

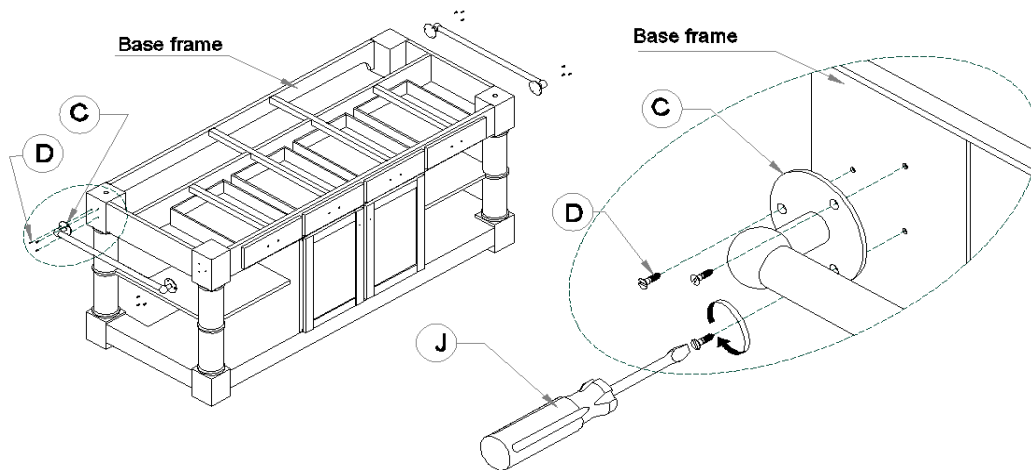


(K) Phillips head screw driver

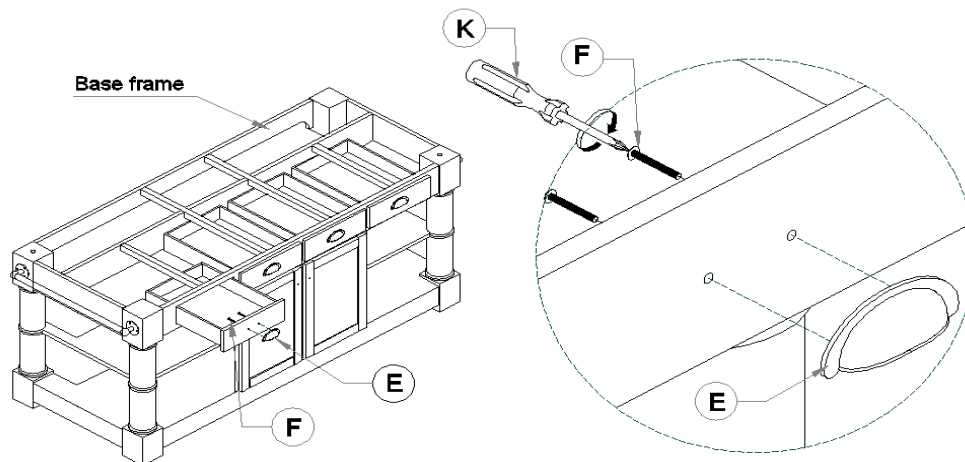


### Assembly Instruction Steps:

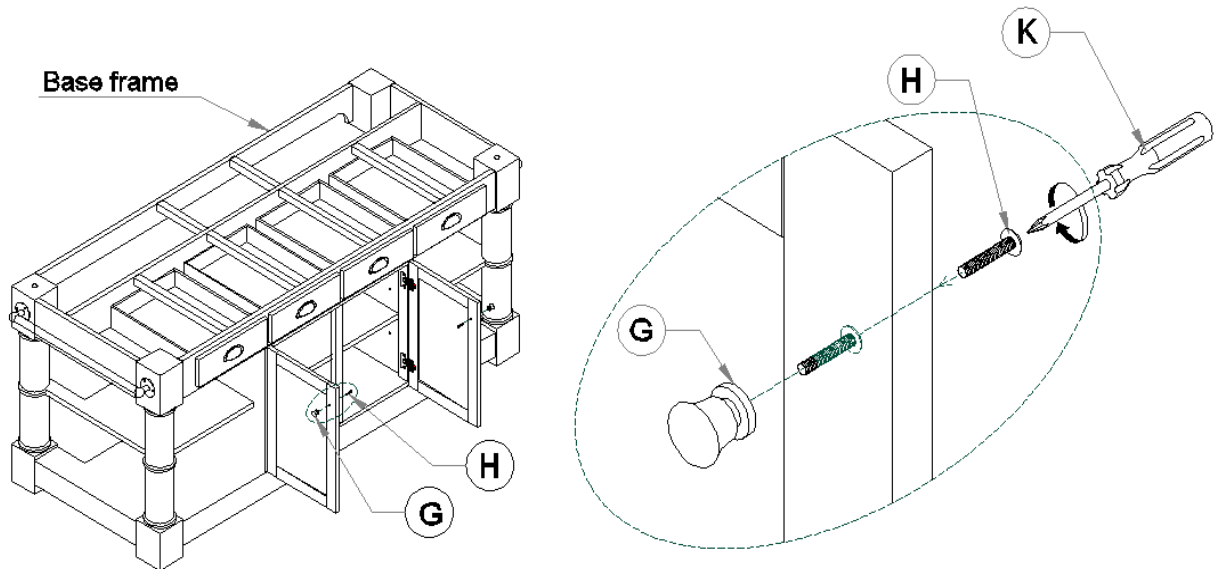
1. Attach the Towel Bar (C) to the Base Frame (B) by aligning the pre-drilled holes found on the side posts, as seen in the illustration below.
2. Secure with the supplied Screws (D) starting from the outside holes of each rotating plate. Do not tighten until all Screws (D) are seated.
3. Secure the remaining holes of the plate and keep it loose. Once all screws are seated to the holes, tighten it using the Slotted Head Screw Driver (not included).
4. Repeat steps 1 to 3 for the 2<sup>nd</sup> towel bar.



5. Attach the 4 Drawer Pull Handles (E) to the drawer fronts by inserting the bolt stud of the Handles (E), into the pre drilled holes of the Drawer Front, as seen in the illustration below.
6. Secure with the 8 supplied Long Bolts (F) using the Philips Head Screw Driver (not included).

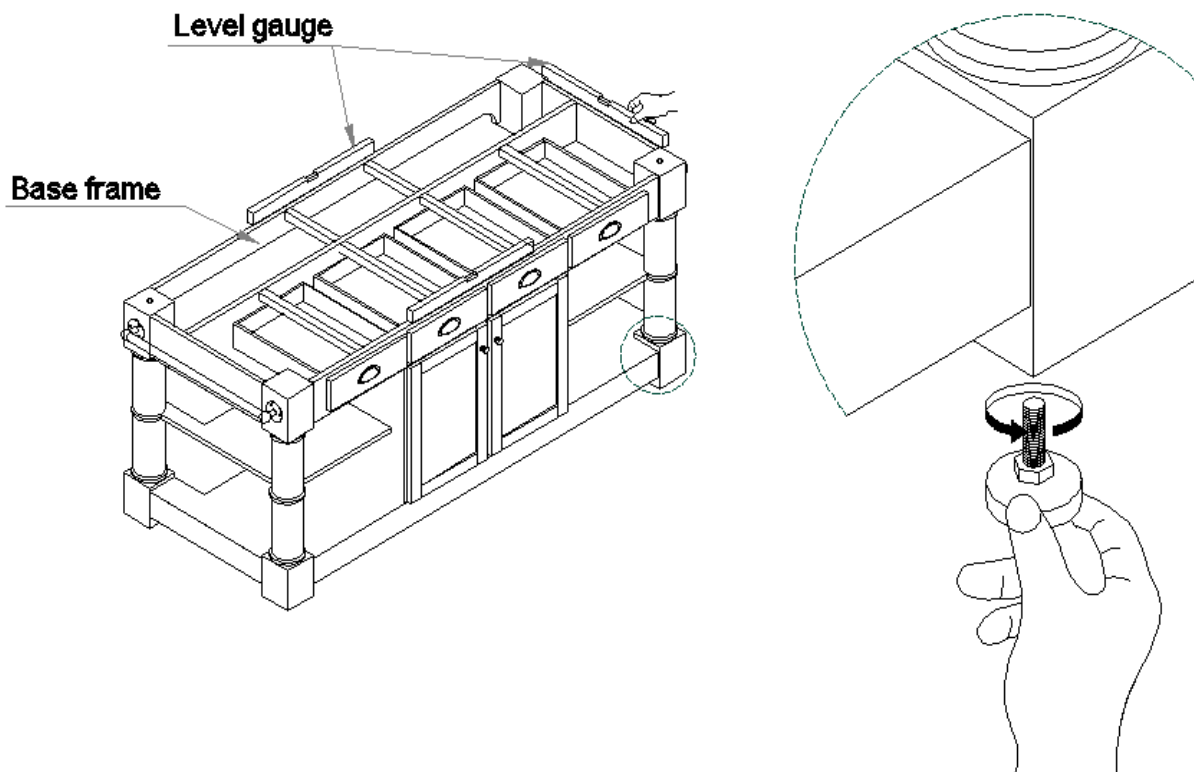


7. Attach the 2 Knobs (G) to the lower doors by inserting the 2 Short Bolts (H) to the back holes and gently rotating the Knob (G) clockwise, as seen below.
8. Use a Philips Head Screw Driver to tighten the assembly.



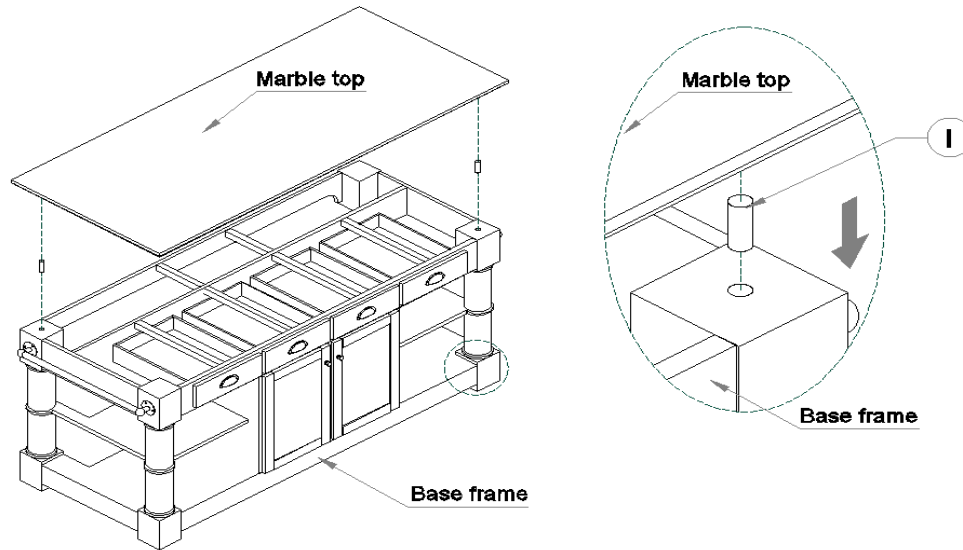
9. Use a level gauge to check if the Base Frame (B) is seated flat on the ground. If it is not level and it rocks, adjust the levelers (in or out) until the cabinet sits firmly and level on the floor.

**Note: The base must be leveled before assembling the Marble Top (A).**

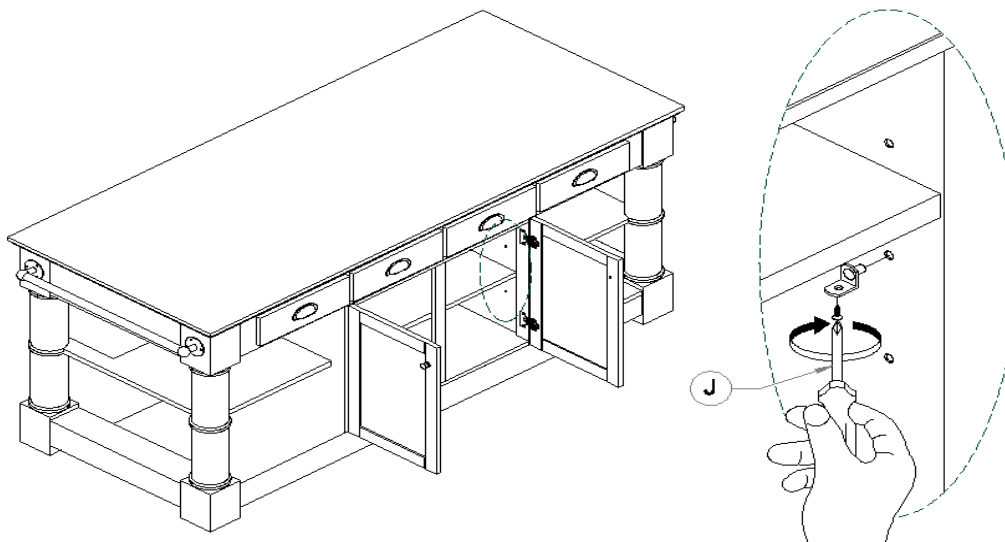


10. Insert the Wood Dowels (I) into the pre drilled holes found on top of the 2 diagonal posts.

11. Attach the Marble Top (A) to the Base Frame (B) by aligning the holes underneath the Marble Top with the Wood Dowels (I) as seen in the illustration below.



12. If you wish to reposition the shelf found in the lower cabinet, remove the wood screw underneath the shelf and adjust to your desired position.



13. Assembly is complete.

**Care Instructions:**

- Always use a chopping board on the Marble Top to prevent any scratching.
- Refrain from dropping heavy objects on the marble top.
- Dust often using a clean, soft, dry, and lint-free cloth.
- Blot spills immediately and wipe with a clean, damp cloth.
- We do not recommend the use of chemical cleansers, harsh abrasives, household cleaners, or furniture polish on our lacquered finish -as they may damage the finish. The marble is not treated and is porous, which can stain particularly with dark liquids.
- Hardware may loosen over time. Periodically check to make sure all connections are tight. Re-tighten if necessary.