



Quick Setup Guide

Simple Steps to Get Your AeroGarden Up and Growing (No tools required)



AeroGarden® Bounty Bounty Elite



Welcome to the world of indoor gardening!

AeroGarden *Bounty* Model number: 100900-BLK
AeroGarden *Bounty Elite* Model number: 100905-BSS

Electrical Rating: 120V~60Hz, 0.45A
Electrical Rating: 120V~60Hz, 0.45A

Date Code

Keep this Guide!

IMPORTANT SAFETY INSTRUCTIONS

When using this AeroGarden electrical furnishing, basic precautions should always be followed, including the following: **Read all instructions before using this AeroGarden furnishing. SAVE THESE INSTRUCTIONS**

1. To reduce the risk of electric shock, the AeroGarden has a specific plug. Do not change the plug in any way.

DANGER – to reduce risk of electric shock:

2. Always unplug the AeroGarden from electrical outlet before cleaning or changing Grow Lights (light bulbs).

WARNING – to reduce risk of burns, fire, electric shock, or injury to persons:

3. Unplug AeroGarden from outlet before putting on or taking off parts.

4. Close supervision is necessary when an AeroGarden is used by or near children, invalids, or disabled persons.

5. Use AeroGarden only for its intended use as described in the instructions. Do not use attachments not recommended by manufacturer.

6. Never operate AeroGarden if it has a damaged cord or plug, if it is not working properly, if it has been dropped and damaged, or if it has been dropped in water. If any of these conditions occur/exist, contact www.AeroGardenSupport.com or your country's local distributor for instructions.

7. Keep cord away from heated surfaces.

8. Never operate furnishing with air openings blocked. Keep air openings free of lint, hair, and the like.

9. Never drop or insert any object into any electrical openings.

10. Do not use outdoors.

11. Do not operate where aerosol (spray) products are being used or where oxygen is being administered.

12. Do not touch moving parts or hot parts such as pumps, lights, reflective surfaces, and the like.

13. To disconnect, remove plug from outlet.

14. Do not place or submerge base, cord, plug, or Light Hood in water or other liquid to clean it.

15. Do not allow water to contact hot LED Grow Lights.

16. Use only approved and supplied parts and accessories. Use only AeroGarden LED Grow Lights with this AeroGarden model. Use of any other kind of accessory is not recommended. Replacement parts can be ordered from www.AeroGarden.com

17. Do not use AeroGarden for other than intended purpose.

18. This product is intended for household and residential use only. This product is not approved for commercial applications.

19. If supply cord is damaged, it must be replaced by manufacturer, its service agent, or similarly qualified technician in order to avoid a hazard.

20. Electrical wiring must be in accordance with local regulations.

21. This appliance is not intended for use by persons (including children) with reduced physical, sensory or mental capabilities, or lack of experience and knowledge, unless they have been given supervision or instruction concerning use of appliance by a person responsible for their safety.

22. Children should be supervised to ensure they do not play with the appliance.

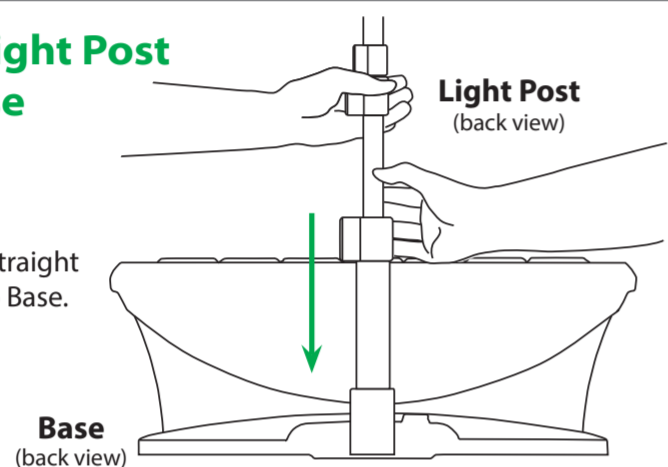
Warning: Changes or modifications to this unit not expressly approved by the party responsible for compliance could void the user's authority to operate the equipment. **Note:** This equipment has been tested and found to comply with the limits for a Class B digital device, pursuant to Part 15 of the FCC Rules. These limits are designed to provide reasonable protection against harmful interference in a residential installation. This equipment generates, uses and can radiate radio frequency energy and, if not installed and used in accordance with the instructions, may cause harmful interference to radio communications. However, there is no guarantee that interference will not occur in a particular installation. If this equipment does cause harmful interference to radio or television reception, which can be determined by turning the equipment off and on, the user is encouraged to try to correct the interference by one or more of the following measures:
—Reorient or relocate the receiving antenna. —Connect the equipment into an outlet on a circuit different from that to which the receiver is connected.
—Increase the separation between the equipment and receiver. —Consult the dealer or an experienced radio/TV technician for help.

5 Easy Steps

To Get Your AeroGarden Up and Growing

1 Insert Light Post into Base

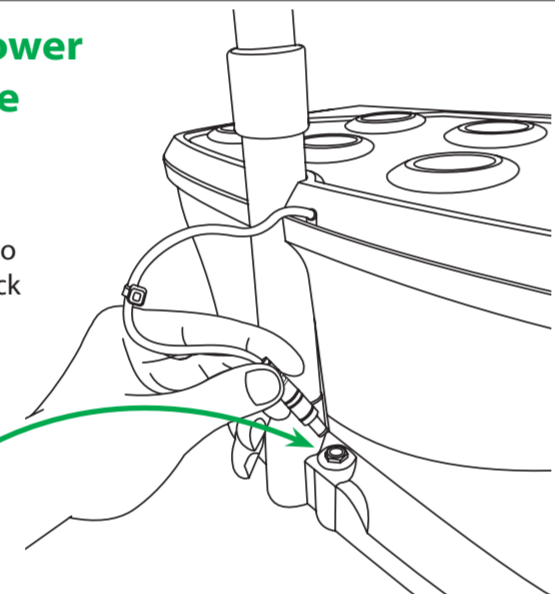
Push Light Post straight down firmly into Base.



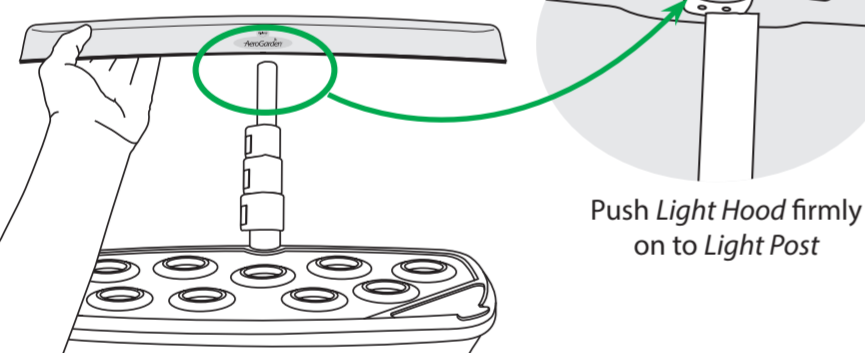
2 Plug Pump Power Cord into Base

Plug Pump power cord into the connection on the back of the base.

Pump Power Cord (back view)

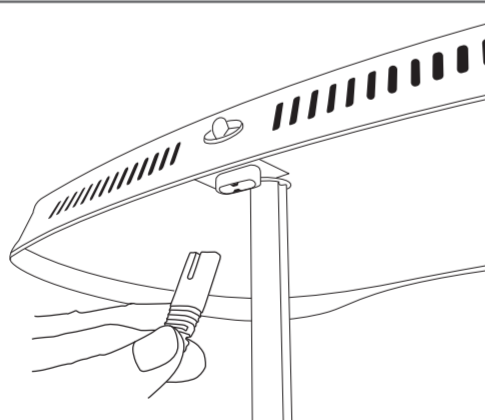


3 Place Light Hood onto Light Post



4 Plug Light Cord into Light Hood

Push Light Cord firmly into socket in Light Hood. Do not connect Light Hood to any other power source.



5 Plug Power Cord into Electrical Outlet and Touch 'Quick Plant'

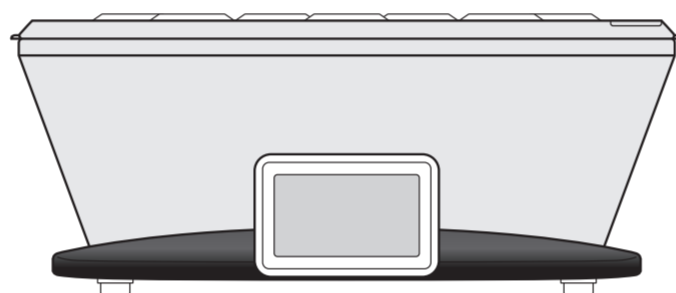
Touch 'Quick Plant' on the control panel for step-by-step instructions on planting your garden.



Included in Package



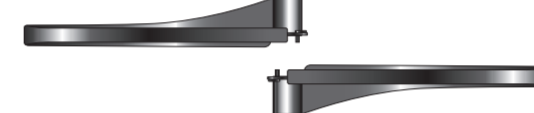
LED Light Hood (45 Watts)



Bowl & Base Assembly



Light Post

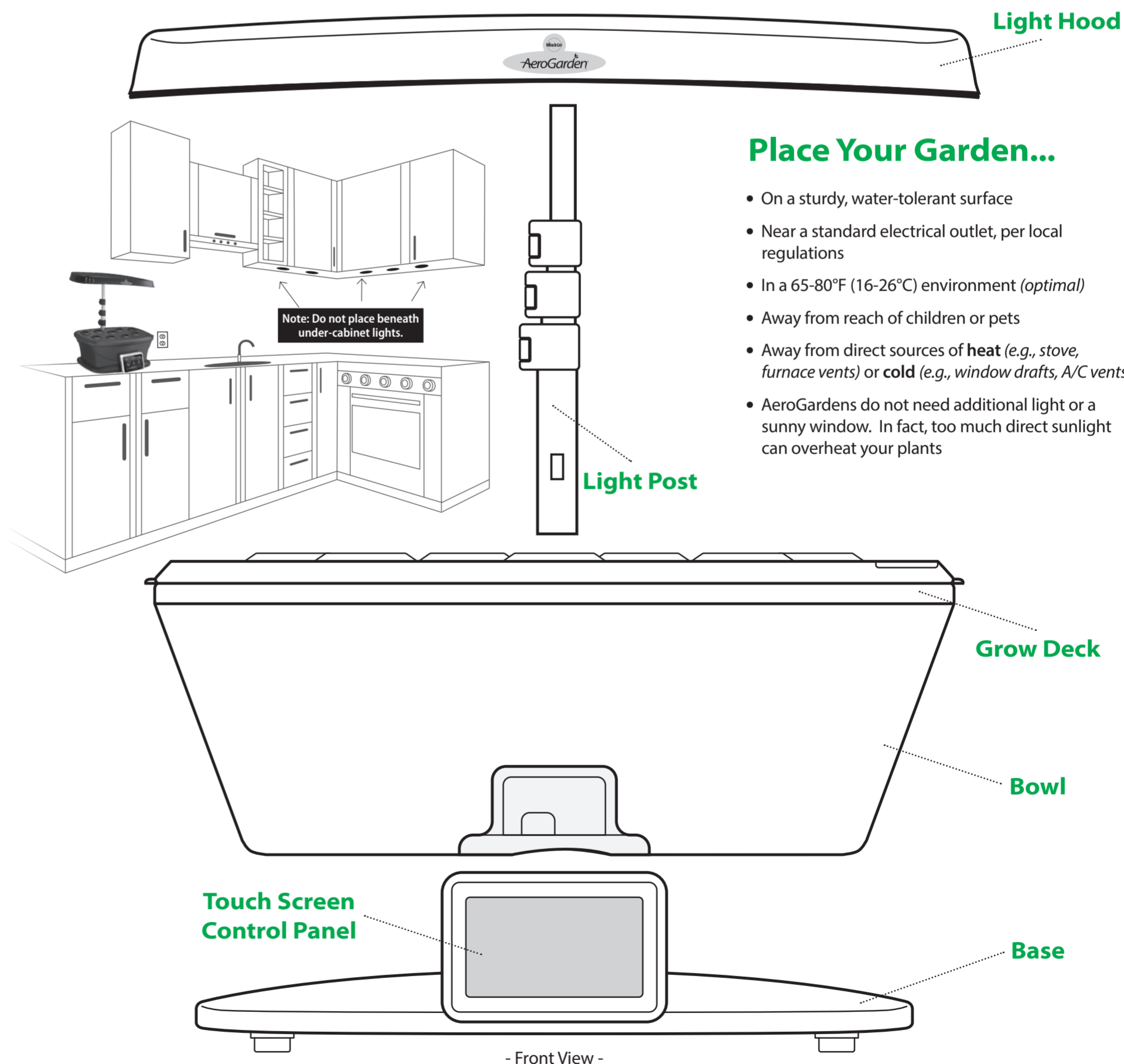


Trellis System



Seed Pod Kit

► Order extra Seed Pod Kits and Accessories at www.aerogarden.com



Place Your Garden...

- On a sturdy, water-tolerant surface
- Near a standard electrical outlet, per local regulations
- In a 65-80°F (16-26°C) environment (optimal)
- Away from reach of children or pets
- Away from direct sources of heat (e.g., stove, furnace vents) or cold (e.g., window drafts, A/C vents)
- AeroGardens do not need additional light or a sunny window. In fact, too much direct sunlight can overheat your plants

CONGRATULATIONS!

Your garden is ready to grow.
It really is that easy!

For more details on planting, growing and harvesting your AeroGarden, please turn the page.



To Raise and Lower the Light Hood

To raise the Light Hood, push open the lever on the 'buckle' attached to the Light Post to allow the post to slide up and down. Pull up on the Light Post until you reach the desired position, then push the buckle shut to lock Light Post into place.

When planting a new Seed Pod Kit, the Light Hood should be set to the lowest possible position. For instructions and tips about when to raise (or not to raise) the Light Hood, refer to Gardening Tips (on flip side) and/or Seed Pod Kit Instruction booklet included with each seed kit.



