

ARN5124

ASSEMBLY & INSTALLATION GUIDE

AERIN SAVANNAH CRYSTAL CHANDELIER

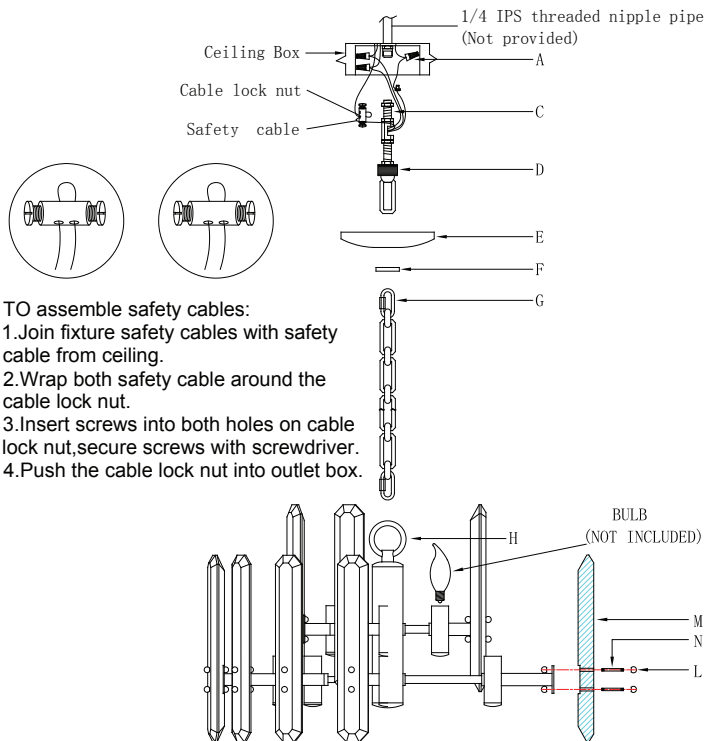
WE RECOMMEND INSTALLATION OF THIS LIGHTING FIXTURE BE DONE BY A LICENSED ELECTRICIAN.

WARNING * SWITCH OFF THE MAIN ELECTRICAL SUPPLY FROM THE MAIN FUSE BOX/CIRCUIT BREAKER BEFORE INSTALLATION.**

INSPECT ITEM CAREFULLY BEFORE ATTEMPTING TO INSTALL. IF THERE IS ANY DAMAGE OR OBVIOUS DEFECT, DO NOT INSTALL.

ITEM MAY NOT BE RETURNED ONCE IT HAS BEEN INSTALLED.

1. Install the threaded nipple(C) with hickey and nut into the ceiling box. You must provide a 1/4 IPS threaded nipple which will go through the top of ceiling box and through a structural member of building.
2. Attach ceiling loop (D) to the threaded nipple(C). Put canopy (E) to ceiling loop (D), and secure with lock collar (F).
3. Using the dimensions of the fixture as a guide, shorten the chain (G) as needed using a pair of chain pliers.
4. Unscrew the threaded collar on the chain end link. Attach the chain to the ceiling loop (D). Close the threaded collar to secure the chain.
5. Unscrew the threaded collar on the other chain end link. Raise fixture body and attach chain end link to the top of decorative part (H). Close the threaded collar to secure the fixture body.
6. Unwrap the wiring from the top of the fixture body. Weave the power supply cord and the ground wire through the chain (G). When you reach the canopy and ceiling loop, measure the wires and cut. Be certain to leave enough to connect inside the canopy.
7. Twist the power supply and ground wires together and push through the center hole in the ceiling loop.
8. Loosen the clock collar (F) and let the canopy (E) slip down the chain carefully.
9. Connect the Ground (bare) fixture wire with the ground (usually bare) wire from the ceiling box using wire nut (A).
10. If the house does not have ground wire, then attach this wire to the green grounding screw inside of outlet box.
IT IS IMPERATIVE THAT THIS FIXTURE BE GROUNDED.
11. Connect the Neutral (ribbed edge, no markings, or white) fixture wire with the Neutral (usually white) wire from the ceiling box using wire nut (A).
12. Connect the Hot (smooth edge, markings, or black) fixture wire with the Hot (usually black) wire from the outlet box using wire nut (A).
13. Tuck these wire connections neatly into the outlet box.
14. Install the light bulbs (not included) into sockets.
15. Install the crystal (M) with the ball nuts (L) and the rods (N).
16. Installation is complete.



TO assemble safety cables:

1. Join fixture safety cables with safety cable from ceiling.
2. Wrap both safety cable around the cable lock nut.
3. Insert screws into both holes on cable lock nut, secure screws with screwdriver.
4. Push the cable lock nut into outlet box.