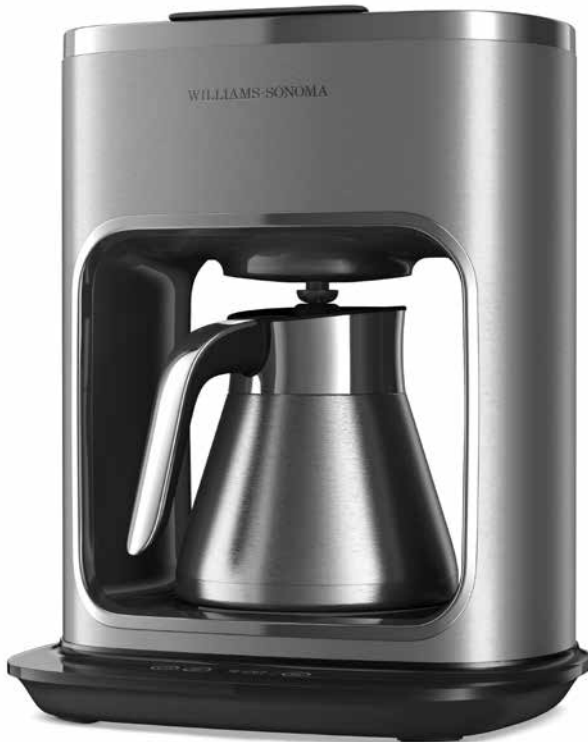


WILLIAMS-SONOMA



**SIGNATURE TOUCH SERIES**  
**APPAREIL DE CUISINE SIGNATURE**

## **10-CUP THERMAL COFFEE MAKER USER MANUAL**

---

**MANUEL D'UTILISATEUR POUR  
LA CAFETIÈRE THERMOS 10 TASSES**

# IMPORTANT SAFEGUARDS

When using electrical coffee makers, basic safety precautions should always be followed including the following to reduce the risk of fire, electric shock and/or injury to persons:

- **READ ALL INSTRUCTIONS.**
- Do not touch hot surface. Use handles or knobs only.
- This coffee maker is not intended for use by persons (including children) with reduced physical, sensory or mental capabilities, or lack of experience and knowledge, unless they have been given supervision or instruction concerning use of the appliance by a person responsible for their safety.
- Close supervision is necessary when any appliance is used by or near children.
- In order to minimize the risk of property damage, never place the coffee maker under cabinets. Make sure the area several feet above the coffee maker is clear from all furniture or cabinetry.
- Do not open the coffee maker lid while coffee is brewing. Scalding may occur if the lid is lifted or removed during the brewing cycle.
- Do not use outdoors.
- Unplug unit from outlet when not in use and before cleaning. Allow unit to cool before putting on or taking off parts, and before cleaning.
- To protect against fire or electrical shock, do not immerse cord, plugs or appliance in water or other liquids.
- Do not operate any appliance with a damaged cord or plug, or after the appliance malfunctions or has been damaged in any manner. Return appliance to the nearest authorized service facility for examination, repair or adjustment.
- **NOTE: DO NOT ATTEMPT TO REPAIR THE UNIT YOURSELF. THIS WILL VOID THE WARRANTY.**
- The use of accessory attachments not recommended by the appliance manufacturer may result in fire, electric shock or injury to persons.
- Never move the appliance by pulling the cord. Do not let the cord hang over the edge of a table or counter or touch hot surfaces.
- Stand the appliance on a table or flat surface.
- Do not use a cracked carafe or a carafe having a loose or weakened handle.
- Only use the thermal carafe with this appliance.
- Snap lid securely onto thermal carafe before serving coffee.
- Never use your coffee maker without water in it.
- Do not place appliance on or near a hot gas or electric burner or in a heated oven.
- The carafe is designed for use with this appliance. It must never be used on a range top.
- Do not set hot carafe on a wet or heat sensitive surface.
- Do not clean thermal carafe with cleaners, steel wool pads or other abrasive material.
- To interrupt the brewing cycle at any time, press **STOP**. Unless the coffee maker is malfunctioning, do not remove plug from wall outlet. Unplug the power cord from the electrical outlet when the appliance is not in use, left unattended, or when the carafe is empty.
- Do not use this appliance for other than its intended use.
- Scalding may occur if the lid is removed during the brewing cycles.
- To reduce the risk of fire, do not place unit over or near any portion of a heating or cooking appliance.

- To reduce the risk of electric shock, do not mount over a sink.
- To reduce the risk of fire, do not store anything directly on top of the appliance surface when the appliance is in operation.
- To disconnect, turn off the unit to **SLEEP** mode (See Figure 3), then remove plug from wall outlet.

## ADDITIONAL IMPORTANT SAFEGUARD

**WARNING: This coffee maker generates heat and escaping steam during use. Proper precautions must be taken to prevent the risk of burns, fires, or other injury to persons or damage to property.**

- All users of this coffee maker must read and understand this instruction manual before operating or cleaning this coffee maker.
- The cord to this coffee maker should be plugged into a 120V AC 3-prong electrical outlet only.
- Use water only in this coffee maker! Do not put any other liquids or food products in this coffee maker. Do not mix or add anything to the water placed in this coffee maker, except as instructed in the **CLEAN** Cycle Instructions to descale the coffee maker.
- DO NOT attempt to move a coffee maker containing hot liquids. Allow coffee maker to cool completely before moving.
- Keep coffee maker at least 4 inches away from walls or other objects during operation. Do not place any objects on top of coffee maker while it is operating. Place the coffee maker on a surface that is resistant to heat.
- If this coffee maker begins to malfunction during use, immediately press **STOP** and unplug the cord. Do not use or attempt to repair the malfunctioning coffee maker.
- If this coffee maker falls or accidentally becomes immersed in water or any other liquid, unplug it immediately. **Do not reach into the water!** Do not use this coffee maker after it has fallen into or has become immersed in water.
- **CAUTION: Allow 15 minutes for the coffee maker to cool sufficiently before adding water to the water reservoir.**
- Always use fresh, cool water in your coffee maker. Warm water or other liquids, except as listed in cleaning section, may cause damage to the coffee maker.
- DO NOT put thermal carafe into a microwave oven.
- This coffee maker is equipped with Pause and Serve. The flow valve is located on the bottom of the removable filter basket and is activated when the carafe is removed. (See Figure 1A). This design makes it possible for you to remove the carafe and pour a cup of coffee before the entire carafe is brewed.
- **CAUTION: To prevent injury when utilizing the Pause and Serve feature, replace carafe within 30 seconds of removing during brewing process.**

## FOR HOUSEHOLD USE ONLY SAVE THESE INSTRUCTIONS

### GROUNDING 3-CONDUCTOR PLUG

This appliance is equipped with a grounded-type 3-wire cord (3-prong plug). This plug will only fit into an electrical outlet made for a 3-prong plug. This is a safety feature. If the plug should fail to fit the outlet, contact an electrician to replace the obsolete outlet. Do not attempt to defeat this safety feature.

### NOTES ON THE CORD

The provided short power-supply cord should be used to reduce the risk resulting from becoming entangled in or tripping over a longer cord. Do not use an extension cord with this product.

### PLASTICIZER WARNING

**CAUTION:** The feet on the base of unit contain substances in the plastic, known as plasticizers, that may migrate to the finish of a tabletop or countertop. To prevent this, place nonplastic coasters or placemats between the appliance and the countertop or tabletop. Failure to do so may cause the finish to darken; permanent blemishes may occur or stains can appear.

### ELECTRIC POWER

If the electrical circuit is overloaded with other appliances, your appliance may not operate properly. It should be operated on a separate electrical circuit from other appliances.

### CARAFE SAFETY PRECAUTIONS

- Do not use a cracked carafe or a carafe with a loose or weakened handle.
- This carafe is designed to be used with this coffee maker only. Do not use in a conventional oven.
- Handle carafe with care. Avoid impact.
- Do not set empty carafe on a hot surface. Do not clean with steel wool pads, abrasive cleanser or any other materials that may scratch.
- Do not bump, scratch or boil dry.
- Your carafe is has a specially sealed, drip-through, removable lid.

**CAUTION: Always make sure the lid is aligned with the spout before pouring hot coffee. (See Figure 1)**

## COFFEE YIELD

Coffee Maker: 10 (5-oz.) cups

**NOTE:** A 5-oz. cup is the American industry standard and is used by most coffee maker manufacturers. To fill your favorite over-sized mug, fill coffee maker reservoir with enough water for 3 to 4 cups (15 to 20 ounces).

**NOTE:** The amount of brewed coffee will always be less than the amount of water placed into the water reservoir; as much as 10% may be absorbed by coffee grounds and filter.

**WARNING: TO REDUCE THE RISK OF FIRE OR ELECTRIC SHOCK, DO NOT REMOVE THE BOTTOM COVER AND CORD STORAGE BOX. NO USER-SERVICEABLE PARTS INSIDE. REPAIR SHOULD BE DONE BY AUTHORIZED SERVICE PERSONNEL ONLY.**

## PERMANENT FILTER BASKET

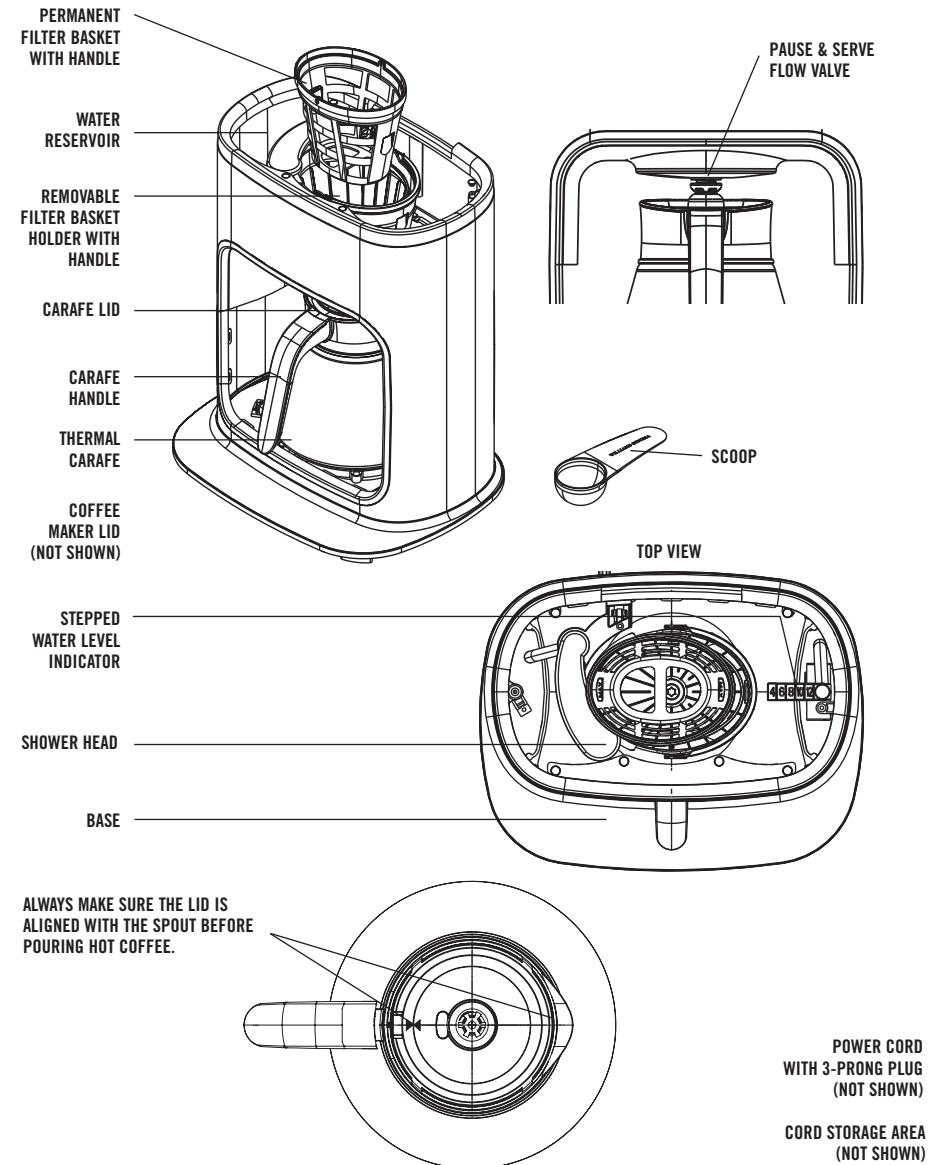
- Eco-friendly, the permanent filter basket eliminates the need for disposable papers filters.
- The flat-bottomed permanent filter basket sits easily on any flat, clean surface for easy, mess-free filling.
- After brewing, lift to open the coffee maker lid. Unfold the permanent filter basket handle to lift it up and out of the removable filter basket holder; discard used coffee grounds, rinse and replace.
- Fold handle down and close the coffee maker lid.

## GETTING TO KNOW YOUR COFFEE MAKER

### PARTS DEFINED

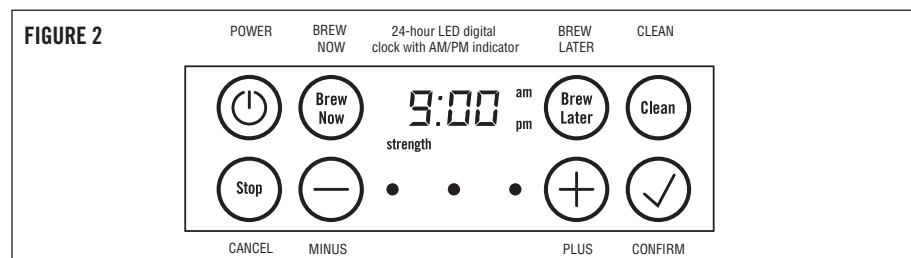
Product may vary slightly from illustration

FIGURE 1



## SMART-TOUCH CONTROL PANEL

Intuitively designed, all functions illuminate and emit a tone when they are activated. Once operation has begun for a selected function, the smart-touch control panel displays only the options available within that function. When the coffee maker is plugged in, **POWER** will begin to slowly appear and then pulse slowly on and off. When **POWER** is pressed, a tone can be heard and the main menu (See Figure 2) will appear.



**STOP.** Press **STOP** at any time to turn the coffee maker OFF.

**BREW NOW.** Pulses when coffee is brewing.

**BREW LATER.** Press to program or view future brewing time.

**24-hour LED Digital Clock** with AM/PM indicator.

### (+) PLUS

Press (+) to advance time in 1-minute increments.

Press and hold (+) to fast advance in 15-minute increments.

Press (+) to increase brew strength.

### (-) MINUS

Press (-) to reduce time in 1-minute increments.

Press and hold (-) to fast reverse in 15-minute increments.

Press (-) to decrease brew strength.

### (✓) CONFIRM

Press (✓) to confirm choices before brewing.

Press (✓) to confirm brew strength selection.

**IMPORTANT NOTE:** If (✓) is not pressed within 30 seconds, the coffee maker will advance to **SLEEP** mode and choices will NOT be set.

**BREW STRENGTH.** Choose from 3 brew STRENGTHS:

(●) Regular

(●●) Gourmet

(●●●) Bold

### CLEAN.

After every 80 brews, **CLEAN** will illuminate.

Please follow detailed instructions in the **CLEAN** Cycle Instructions section of this instruction manual for optimal results.

**NOTE:** When the coffee maker is unplugged, the number of uses will be re-started.

## BEFORE USING FOR THE FIRST TIME

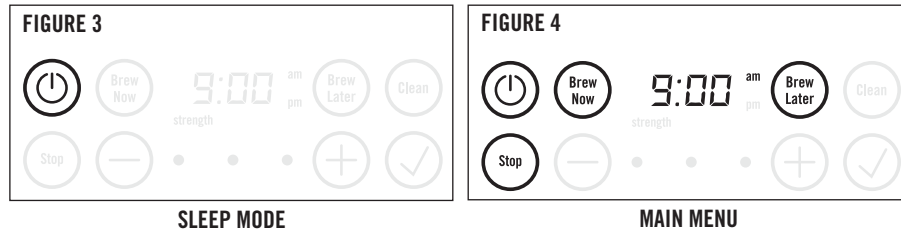
**CAUTION:** To protect against electrical shock, do not immerse the coffee maker or allow power cord to come into contact with water or other liquids.

- Remove all packing material and labels from the inside and outside of the coffee maker. Place the unit on a flat, clean surface.
- Before preparing coffee, thoroughly clean the thermal carafe, carafe lid, removable filter basket, permanent filter basket and coffee scoop in hot, sudsy water. Rinse and dry. Replace disassembled parts.  
**NOTE:** The carafe, carafe lid, removable filter basket holder and permanent filter basket are all top-rack dishwasher safe. The coffee scoop should be placed in the dishwasher alongside the cutlery.
- Clean the inside of the coffee maker by brewing 2 full carafes of tap water (See Brewing Coffee Instructions). Do not add the permanent filter basket or ground coffee for this initial cleaning.

## BREWING

- Use front tab to lift the coffee maker lid to view the stepped water level indicator. Fill carafe with cold tap or distilled water and carefully pour into water reservoir.  
**CAUTION:** Never operate the coffee maker when the water reservoir is empty.  
**IMPORTANT:** Before brewing, always make sure water level is past the 2-cup step and add water if needed.  
**CAUTION:** Never add water to exceed the 10-cup step.
- Replace the carafe lid and place the empty carafe into position on the warming plate.
- Drop the removable filter basket into the housing.
- Place the permanent filter basket on a flat, clean surface.  
**NOTE:** Always use the provided permanent filter basket as others may cause the machine to overflow. Use the coffee scoop to add 1 scoop of ground coffee for every cup of coffee. Adjust to your personal preference. The maximum capacity for ground coffee is 13 scoops for this coffee maker. Use a medium grind appropriate for Drip Coffee Makers. Fine grind will produce bitterness and may cause overflow.  
**NOTE:** If paper filters are preferred, please use #4 cone coffee filters in white or natural brown. When using paper filters, do not exceed 10 scoops of coffee.
- Drop the coffee-filled permanent filter basket into the removable filter basket holder. Fold the permanent filter basket handle down.
- Close the lid.
- For best results, pre-warm the thermal carafe before brewing coffee. A warm carafe will help maintain the coffee's optimal temperature and keep coffee hotter for longer. Remove the carafe lid and fill the thermal carafe with hot water. Allow carafe to stand for 30 seconds and then discard the hot water. Lock the carafe lid into position and place the empty carafe into position on the base.

- Plug the power cord into a 120V AC 3-prong electrical outlet. **POWER** will begin to slowly appear and then pulse slowly on and off. (See Figure 3, **SLEEP Mode**). When **POWER** is pressed, a tone can be heard and the main menu (See Figure 4, Main Menu) will appear.



- Follow the detailed instructions described in this instruction manual, **BREW NOW** or **BREW LATER**.
- When brewing is complete, 3 beeps can be heard as the coffee maker turns itself OFF.  
**CAUTION:** Always make sure the lid is aligned with the spout before pouring hot coffee. (See Figure 1)  
**IMPORTANT!** Empty the thermal carafe and rinse with warm, clean water after each use. Do not allow brewed coffee to stand overnight as this can stain the thermal carafe.

#### SETTING THE CURRENT TIME

- When the coffee maker is plugged in, **POWER** will begin to slowly appear and then pulse slowly on and off.



#### SET CURRENT TIME

- When **POWER** is pressed, a tone can be heard and the default time 12:00 AM will be displayed. (See Figure 5)
- Press **(+)** to advance time in 1-minute increments. Press and hold **(+)** to fast advance in 15-minute increments.
- Press **(-)** to reduce time in 1-minute increments. Press and hold **(-)** to fast reverse in 15-minute increments.  
**NOTE:** Pay attention to AM and PM setting.
- When the correct current time is displayed, press **(✓)**.  
**NOTE:** The coffee maker will advance to **SLEEP** mode within 30 seconds if **(✓)** is not pressed and the current time will NOT be set.
- To re-set the clock, unplug the coffee maker.  
**NOTE:** When the coffee maker is unplugged, the number of uses before **CLEAN** will be re-started.

#### BREW NOW

- Press **POWER**.
- **BREW NOW** and **BREW LATER** will illuminate. The current time will be displayed. (See Figure 4)
- Press **BREW NOW**. The brew **STRENGTH** icon illuminates and regular **(●)** **BREW STRENGTH** begins to pulse. By default, **(●)** **Regular BREW STRENGTH** is activated, and 1 LED light will illuminate. (See Figure 6)



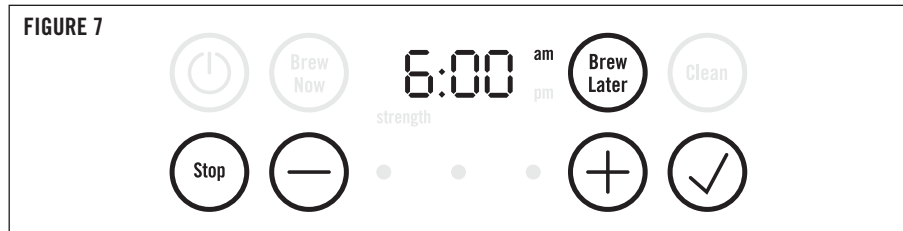
#### Adjust BREW STRENGTH

- To adjust the brew strength, press **(+)** **PLUS** to increase from **(●)** **Regular** to **(●●)** **Gourmet** to **(●●●)** **Bold**. Press **(-)** to decrease **BREW STRENGTH**.  
**NOTE:** For your convenience, the last chosen **BREW STRENGTH** will be the default for the next carafe of brewed coffee.
- To confirm your choice, press **(✓)**. A beep can be heard. **BREW NOW** will pulse as coffee begins to brew.  
**IMPORTANT!** Press **STOP** at any time to turn the coffee maker OFF.
- When brewing is complete, 3 beeps can be heard as the coffee maker turns itself OFF.  
**CAUTION:** Always make sure the lid is aligned with the spout before pouring hot coffee. (See Figure 1)

#### BREW LATER (SETTING THE FUTURE BREW TIME)

- The coffee maker can be programmed to begin brewing up to 24 hours in the future.  
**WARNING:** Make sure the coffee maker is set up to brew coffee. Fill the water reservoir, add fresh ground coffee to the permanent filter basket, close the lid. Place the empty carafe with lid in the center of the base.
- Press **POWER**. **BREW NOW** and **BREW LATER** will illuminate. The current time will be displayed.
- Press **BREW LATER**. It will begin to pulse.

- **STOP**, **(-)**, **(+)**, and **(✓)** will illuminate. The default future brew time 6:00 AM (or the last programmed future brew time) will be displayed. (See Figure 7)



**SET CURRENT TIME**

- Press **(+)** to advance time in 1-minute increments. Press and hold **(+)** to fast advance in 15-minute increments.
- Press **(-)** to reduce time in 1-minute increments. Press and hold **(-)** to fast reverse in 15-minute increments.  
**NOTE:** Pay attention to AM and PM setting.
- When the correct future brew time is displayed, press **(✓)**.  
**NOTE:** If **(✓)** is not pressed, in 30 seconds the coffee maker will advance to **SLEEP** mode and the coffee maker will NOT be ready to brew in the future.
- The **BREW STRENGTH** icon illuminates. To adjust the brew strength, press **(+)** to increase **BREW STRENGTH** from **(●) Regular** to **(●●) Gourmet** to **(●●●) Bold**. Press **(-)** to decrease **BREW STRENGTH**.  
**NOTE:** For your convenience, the last chosen **BREW STRENGTH** and future brew time will be the default for the next **BREW LATER** carafe of brewed coffee.
- To confirm your choice, press **(✓)**. A beep can be heard. **BREW LATER** will begin to pulse to indicate the coffee maker is ready to brew at the pre-set future brew time.  
**NOTE:** If **(✓)** is not pressed, in 30 seconds the coffee maker will advance to **SLEEP** mode and the coffee maker will NOT be ready to brew in the future.
- To cancel the pre-set future brew, press **BREW LATER**. The future brew time will be displayed and **STOP** will appear. Press **STOP** to cancel future brew.
- When the pre-programmed time is reached, **BREW LATER** will turn OFF and **BREW NOW** will pulse. Brewing will begin.
- At the end of the brew cycle, 3 beeps can be heard as the coffee maker turns itself OFF.

#### PAUSE AND SERVE

Pause and Serve allows you to pour a cup of coffee before the entire carafe is brewed. Return the carafe to the base; within 30 seconds and dripping will resume.

**CAUTION:** Replace carafe under the filter basket within 30 seconds to prevent overflow.

#### HINTS FOR GREAT TASTING COFFEE

- A clean coffee maker is essential for brewing great tasting coffee. Regular cleaning, as described in the **CLEAN** Cycle section, is highly recommended.
- Always use fresh, cold water in your coffee maker.
- For optimum taste, program your coffee maker to brew coffee to your preferred **BREW STRENGTH**. Choose from **(●) Regular**; **(●●) Gourmet**; or **(●●●) Bold**.
- For optimum brewed coffee flavor, buy whole beans and grind just before brewing.
- Do not re-use coffee grounds since this will greatly impair coffee flavor.
- Reheating coffee is not recommended. Coffee is at its peak flavor immediately after brewing.
- Small oil droplets on the surface of brewed, black coffee is due to the extraction of oil from the coffee grounds. Oiliness may occur more frequently if heavily roasted coffees are used. Overextraction may also cause oiliness, indicating a need to clean your coffee maker.

#### MAINTENANCE

This appliance requires little maintenance. It contains no user-serviceable parts. Any servicing requiring disassembly other than cleaning must be performed by a qualified appliance repair technician.

#### CARE AND CLEANING

**IMPORTANT!** Empty the thermal carafe and rinse with warm, clean water after each use. Do not allow brewed coffee to stand overnight as this can stain the thermal carafe.

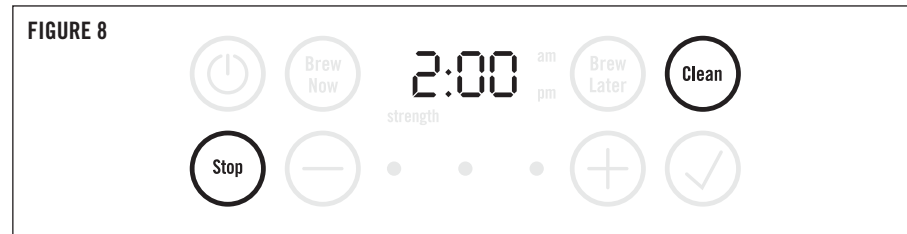
- Always make sure coffee maker is unplugged before attempting to clean.
- After every use, remove the permanent filter basket, discard used coffee grounds, and rinse thoroughly.
- Wash the removable filter basket and thermal carafe in hot, sudsy water. Pull the carafe lid out of the carafe and scrub with a soaped kitchen brush. The carafe, carafe lid, removable filter basket holder and the permanent filter basket are all top-rack dishwasher safe. The coffee scoop should be placed in the dishwasher alongside the cutlery.
- Wipe the coffee maker exterior with a damp cloth to remove superficial stains. For stubborn stains, use a nylon or plastic pad with a non-abrasive cleanser. Do not use metal scouring pads or abrasive cleansers.
- Dry and replace disassembled parts. Make sure the removable filter basket drops down and is properly seated into the housing.
- Close the lid.

## CLEAN CYCLE

**IMPORTANT:** To assure optimal flavor and performance of your coffee maker, when used regularly, and under normal conditions, it is recommended that the **CLEAN** cycle be run every 80 uses.

**NOTE:** The entire cleaning cycle will take 45 to 60 minutes to complete.

- Minerals in water can detract from the flavor of the coffee and possibly lengthen brew time. It is recommended that the **CLEAN** cycle be run when **CLEAN** illuminates (after 80 uses). (See Figure 8)  
**IMPORTANT:** Always remove the permanent filter basket and removable filter basket before activating **CLEAN** cycle.



CLEAN CYCLE

- Combine 6 cups of white vinegar and 4 cups of cold water in the carafe.
- Pour vinegar solution into the water reservoir and close coffee maker lid.
- Place the empty carafe onto the base.
- Press **CLEAN**. A beep can be heard as the **CLEAN** cycle begins. Part of the mixture will pass through the brew cycle in a slow 5-minute sequence. During the **CLEAN** cycle, the remaining mixture will be held in the coffee maker and then dispensed periodically for 45 minutes.  
**IMPORTANT!** Press **STOP** at any time to turn the coffee maker OFF.
- At the end of **CLEAN** cycle, 3 beeps can be heard, **CLEAN** will disappear from the screen and coffee maker will turn itself OFF automatically.
- Discard water in the carafe. Wash carafe, removable filter basket and permanent filter basket in hot sudsy water.
- Brew 2 or 3 carafes of fresh water through the coffee maker brewing coffee again.
- Dry parts thoroughly.
- Replace the removable filter basket in the housing, then drop the clean permanent filter basket into place. Lower the lid.
- Place the empty carafe in position on the base.

## STORING

- Never store coffee maker while it is still plugged in.
- Unplug coffee maker and allow it to cool.
- Store coffee maker fully assembled, the permanent filter basket and removable filter basket in position. Place the carafe on the base. Close the lid.
- Store cord in the cord storage area located on the bottom of the coffee maker.
- Store coffee maker in its box or in a cool, dry place.



## LIMITED WARRANTY ON WILLIAMS-SONOMA BRANDED ELECTRICS

**NOTE: THIS LIMITED WARRANTY CONTAINS AN ARBITRATION CLAUSE AND CLASS ACTION WAIVER PROVISION. IT AFFECTS HOW DISPUTES BETWEEN YOU AND THE COMPANY ARE RESOLVED. BY PURCHASING A WILLIAMS-SONOMA BRANDED ELECTRONIC PRODUCT, YOU AGREE TO BE BOUND BY THIS ARBITRATION PROVISION. PLEASE READ IT AREFULLY.**

Williams-Sonoma hereby warrants that for a period of two years from the date of purchase, this product will be free from mechanical defects in material and workmanship, and for 90 days in respect to non-mechanical parts. At its sole discretion, Williams-Sonoma will either repair or replace the product found to be defective, or issue a refund on the product during the warranty period.

**EXCLUSIONS:** The Limited Warranty does not cover normal wear of parts, or damage resulting from any of the following: negligent use of the product; use of improper voltage or current; improper routine maintenance; use contrary to the operating instructions; commercial use; or unauthorized service during the warranty period on conditions otherwise covered by the warranty. Also, the Limited Warranty does not cover damages caused by Acts of God such as fire, floods, hurricanes, or tornadoes. Repair or replacement of the product is the only remedy available under this Limited Warranty. Williams-Sonoma shall not be liable for any incidental or consequential damages caused by the breach of any express or implied warranty. Other than as provided in this Limited Warranty, the product is being provided “as is.” Any implied warranty of merchantability or fitness for a particular purpose is limited in time to the duration of the Limited Warranty. However, some states, provinces or jurisdictions do not allow the exclusion or limitation of incidental or consequential damages, or limitations on how long an implied warranty lasts, and therefore, the above exclusions or limitations may not apply to you. The warranty gives you specific legal rights, and you may also have other rights that vary by state, province and/or jurisdiction.

**HOW TO OBTAIN WARRANTY SERVICE:** You must contact Customer Service at our toll-free number: 1-877-504-8004. A Customer Service Representative will attempt to resolve warranty issues over the phone. If the Customer Service Representative is unable to resolve the problem, you will be provided with a case number and asked to return the product to Williams-Sonoma. Products can be returned to a Williams-Sonoma store. Attach a tag to the product that includes: your name, address, daytime contact telephone number, case number, and description of the problem. Also, include a copy of the original sales receipt.

**ARBITRATION AGREEMENT & WAIVER OF CERTAIN RIGHTS:** Mandatory, Bilateral, and Binding Arbitration: Please read this carefully. It affects your rights. You and the Company agree that any dispute, controversy, or claim arising out of or relating in any way to the Limited Warranty, including any dispute or claim as to the application, enforceability, scope, or interpretation of this agreement to arbitrate, shall be resolved only by final and binding, bilateral arbitration, except that (1) you may assert claims in small claims court if your claims qualify; and (2) this agreement to arbitrate does not include your or the Company's right to seek injunctive or other equitable relief in a court of competent jurisdiction pursuant to the Choice of Law & Jurisdiction provision below, to prevent the actual or threatened infringement, misappropriation, or violation of a party's copyrights, trademarks, trade secrets, patents, or other intellectual property rights. The Federal Arbitration Act, 9 U.S.C. § 1, *et seq.*, and federal arbitration law apply to this agreement and govern all questions as to whether a dispute is subject to arbitration. There is no judge or jury in arbitration, and court review of an arbitration award is limited. An arbitrator, however, can award on an individual basis the same damages and relief as a court (including injunctive and declaratory relief, or statutory damages), and must follow the terms of this Limited Warranty.

The term “Dispute” shall include any dispute, claim, or controversy between you and the Company regarding or relating to any aspect of this Limited Warranty, whether based in contract, statute, regulation, ordinance,

tort (including, but not limited to, fraud, misrepresentation, fraudulent inducement, negligence, or any other intentional tort), or any other legal or equitable theory. The term “Dispute” also includes, but is not limited to, any and all claims between you and the Company in any way related to or concerning this agreement and includes the applicability, enforceability, scope, or interpretation of this agreement to arbitrate. The term “Dispute” is to be given the broadest possible meaning that will be enforced.

**DISPUTE NOTICE:** Before initiating an arbitration, you and the Company each agree to first provide the other a written notice (“Notice of Dispute”), which shall contain: (a) a written description of the problem and relevant documents and supporting information; and (b) a statement of the specific relief sought. A Notice of Dispute can be (1) mailed to Williams-Sonoma, Inc. Legal Department, 3250 Van Ness Ave, San Francisco, CA 94109, (2) emailed to legal@wsgc.com, or (3) brought to the attention of the Company's Customer Service department at 1-877-504-8004. The Company will provide a Notice of Dispute to you via the mailing address or email address associated with your Account and/or billing information (the “Notice Address”).

You and the Company agree to make attempts to resolve the Dispute prior to commencing an arbitration and not to commence and arbitration proceeding until a 45-day post-notice resolution period expires. If an agreement cannot be reached within forty-five (45) days of receipt of the Notice of Dispute, you or the Company may commence an arbitration proceeding.

**ARBITRATION PROCESS AND PROCEDURE:** All controversies, claims, counterclaims, or other disputes arising between you and Williams-Sonoma, Inc. relating to this Limited Warranty (“Claim”) shall be submitted for binding arbitration in accordance with the Rules of the American Arbitration Association (“AAA Rules”). The arbitration will be heard and determined by a single arbitrator. The arbitrator's decision in any such arbitration will be final and binding upon the parties and may be enforced in any court of competent jurisdiction. The parties agree that the arbitration will be kept confidential and that the existence of the proceeding and any element of it (including, without limitation, any pleadings, briefs or other documents submitted or exchanged and any testimony or other oral submissions and awards) will not be disclosed beyond the arbitration proceedings, except as may lawfully be required in judicial proceedings relating to the arbitration or by applicable disclosure rules and regulations of securities regulatory authorities or other governmental agencies.

**CLASS ACTION WAIVER: NEITHER YOU NOR THE COMPANY SHALL BE ENTITLED TO JOIN OR CONSOLIDATE DISPUTES BY OR AGAINST OTHER INDIVIDUALS OR ENTITIES, OR ARBITRATE ANY DISPUTE IN A REPRESENTATIVE CAPACITY, INCLUDING, WITHOUT LIMITATION, AS A REPRESENTATIVE MEMBER OF CLASS OR IN A PRIVATE ATTORNEY GENERAL CAPACITY, IN CONNECTION WITH ANY DISPUTE.** Further, unless both you and the Company expressly agree otherwise, the arbitrator may not consolidate more than one person's claim. If this prohibition of class, representative, or consolidated arbitration is found to be unenforceable, then the entirety of this arbitration provision shall be null and void. If, for any reason, a claim proceeds in court rather than in arbitration, **we each waive our right to a jury trial.**

**FEES:** In the event you commence arbitration, after Williams-Sonoma receives notice that you have initiated arbitration, the Company will promptly reimburse you for your payment of the filing fee and the Company will pay any case management fees associated with the arbitration and the professional fees for the arbitrator's services.

**CHOICE OF LAW & JURISDICTION:** This Limited Warranty shall be interpreted, construed, enforced, and governed in all aspects in accordance with the exclusive jurisdiction and laws of California, without regard to conflict of law principles. Any suit, cause of action, or legal proceeding arising under or relating to this Limited Warranty that is not addressed through arbitration or in small claims court as provided above, shall be in the exclusive jurisdiction and venue of the state courts of California, situated in San Francisco County, California or the federal courts situated in the Northern District of California. You and Williams-Sonoma agree to submit to the personal jurisdiction of a state court located in San Francisco County, California or a United States District Court, Northern District of California for any actions which the parties retain the right to seek relief.

## PRÉCAUTIONS IMPORTANTES

Lors de l'utilisation de cafetières électriques, des précautions de sécurité de base doivent être suivies en tout temps, notamment les suivantes afin de réduire les risques d'incendie, de commotion électrique et/ou de blessure :

- **VEUILLEZ LIRE TOUTES LES INSTRUCTIONS.**
- Ne pas toucher les surfaces chaudes. N'utiliser que les poignées ou boutons.
- Cette cafetière n'est pas destinée à être utilisée par des personnes (incluant les enfants) présentant des capacités physiques, sensorielles ou mentales réduites, ou un manque de maturité et de connaissances, à moins qu'elles n'aient été supervisées ou instruites sur l'utilisation de l'appareil par une personne responsable de leur sécurité.
- Une supervision attentive est nécessaire lorsque l'appareil est utilisé par ou près des enfants.
- Afin de réduire les risques de dommages matériels, ne jamais placer la cafetière sous des armoires. S'assurer qu'aucun meuble ou qu'aucune armoire ne se situe à plusieurs centimètres au-dessus de la cafetière.
- Ne pas ouvrir le couvercle de la cafetière pendant l'infusion.  
Soulever ou retirer le couvercle pendant le cycle d'infusion peut causer des brûlures.
- Ne pas utiliser à l'extérieur.
- Débrancher l'appareil lorsqu'il n'est pas en fonction et avant de le nettoyer.  
Laisser refroidir l'appareil avant d'ajouter ou de retirer des pièces et avant de le nettoyer.
- Afin de prévenir les risques d'incendie ou de commotion électrique, ne pas immerger le cordon d'alimentation, les fiches d'alimentation électrique ou l'appareil dans l'eau ou dans tout autre liquide.
- Ne pas utiliser un appareil si le cordon d'alimentation ou la fiche d'alimentation électrique sont endommagés ou si l'appareil fonctionne incorrectement ou a subi quelque dommage que ce soit. Retourner l'appareil au centre de service autorisé le plus près pour un examen, une réparation ou un réglage.
- **REMARQUE : NE JAMAIS TENTER DE RÉPARER L'APPAREIL SOI-MÊME. CELA ANNULERA LA GARANTIE.**
- L'utilisation d'accessoires non recommandés par le fabricant de l'appareil peut provoquer un incendie, une commotion électrique ou des blessures aux personnes.
- Ne jamais déplacer l'appareil en tirant sur le cordon d'alimentation. Ne pas laisser pendre le cordon d'alimentation sur le côté d'une table ou d'un comptoir ou toucher des surfaces chaudes.
- Placer l'appareil à la verticale sur une table ou une surface plane.
- Ne pas utiliser une verseuse fêlée ou avec une poignée desserrée ou fragilisée.  
N'utiliser que la verseuse isolante avec cet appareil.
- Fermer le couvercle solidement sur la verseuse isolante avant de servir le café.  
Ne jamais utiliser la cafetière sans y ajouter de l'eau.
- Ne jamais placer la cafetière sur ou à proximité d'un brûleur à gaz ou d'un élément électrique chaud ou dans un four chaud.
- La verseuse est conçue pour une utilisation avec cet appareil. Elle ne doit jamais être utilisée sur le dessus d'une cuisinière. Éviter de déposer une verseuse chaude sur une surface mouillée ou sensible à la chaleur.
- Éviter de nettoyer la verseuse isolante avec des produits de nettoyage, des tampons à récurer en laine d'acier ou toute autre substance abrasive.

- Pour interrompre le cycle d'infusion à n'importe quel moment, appuyer sur **STOP**.  
Ne pas débrancher la fiche d'alimentation électrique de la prise de courant murale à moins que la cafetière ne fonctionne pas correctement. Débrancher le cordon d'alimentation de la prise de courant lorsque l'appareil ne fonctionne pas, qu'il est sans surveillance ou lorsque la verseuse est vide.
- Ne pas utiliser cet appareil pour une autre utilisation que celle à laquelle il est destiné.
- Retirer le couvercle pendant le cycle d'infusion peut causer des brûlures.
- Pour réduire les risques d'incendies, éviter de placer l'unité sur ou à proximité de toute partie d'un appareil de chauffage ou de cuisson.
- Pour réduire le risque de commotion électrique, ne pas installer au-dessus d'un évier.
- Pour réduire les risques d'incendies, éviter de ranger des articles directement sur le dessus de l'appareil lorsqu'il est en fonction.
- Pour la déconnecter, mettre l'unité en mode **VEILLE** (voir l'illustration n° 3), puis retirer la fiche d'alimentation électrique de la prise de courant murale.

## PRÉCAUTIONS SUPPLÉMENTAIRES IMPORTANTES

**AVERTISSEMENT : Cette cafetière produit de la chaleur et de la vapeur lorsqu'elle fonctionne. Des précautions adéquates doivent être prises pour éviter les risques de brûlures, d'incendies ou autres blessures aux personnes ou dommages aux biens.**

- Tous les utilisateurs de cette cafetière doivent lire et comprendre ce guide d'instruction avant d'utiliser ou de nettoyer l'appareil.
- Le cordon d'alimentation de cette cafetière doit être branché uniquement dans une prise de courant à trois fiches de 120 volts.
- N'utiliser que de l'eau dans cette cafetière! Ne verser aucun autre liquide et ne déposer aucun produit alimentaire dans cette cafetière. Ne rien mélanger ou ajouter à l'eau versée dans cette cafetière, sauf selon les instructions particulières mentionnées dans le cycle de **NETTOYAGE** pour détartre.
- **NE JAMAIS** tenter de déplacer une cafetière remplie de liquide chaud. Laisser refroidir la cafetière complètement avant de la déplacer.
- Conserver une distance d'au moins 10 cm (4 po) entre la cafetière et les murs ou tout autre objet pendant qu'elle fonctionne. Ne déposer aucun objet sur le dessus de la cafetière pendant son fonctionnement. Placer la cafetière sur une surface résistante à la chaleur.
- Si la cafetière ne fonctionne pas correctement pendant l'utilisation, appuyer immédiatement sur **STOP** et débrancher le cordon d'alimentation. Ne pas l'utiliser ou tenter de la réparer.
- Si la cafetière tombe ou est accidentellement immergée dans l'eau ou dans tout autre liquide, il faut la débrancher immédiatement. **Ne pas tenter de le récupérer dans l'eau!** Ne pas utiliser la cafetière après qu'elle soit tombée à l'eau ou qu'elle ait été immergée.
- **ATTENTION : Laisser refroidir la cafetière raisonnablement soit pendant 15 minutes avant d'ajouter de l'eau au réservoir.**
- Utiliser toujours de l'eau fraîche dans la cafetière. De l'eau tiède ou tout autre liquide, à l'exception de ce qui est recommandé dans les instructions sous la section Nettoyage, peut endommager la cafetière.
- **NE PAS** placer la verseuse isolante dans un four à micro-ondes.

- Cette cafetière comprend la fonction Pause et Servir. La vanne de réglage de débit se situe sous le panier-filtre amovible et se met en fonction une fois la verseuse retirée. (Voir l'illustration 1A). Cette conception vous permet de retirer la verseuse et de verser une tasse de café avant que l'infusion ne soit terminée.
- **ATTENTION : Afin de prévenir les blessures lors de l'utilisation de la fonction Pause et Servir, remettre la verseuse en place dans les 30 secondes après l'avoir retirée au cours du processus d'infusion.**

## CONSERVEZ CES INSTRUCTIONS POUR UN USAGE DOMESTIQUE UNIQUEMENT

### FICHE À 3 BROCHES DONT UNE DE MISE À LA TERRE

Cet appareil est équipé d'un cordon d'alimentation de type mise à la terre à 3 fils (fiche à 3 broches). Cette fiche ne fonctionne qu'avec les prises électriques conçues pour recevoir les fiches à 3 broches. Il s'agit d'une mesure de sécurité. Si vous ne parvenez pas à insérer la fiche dans la prise, contacter un électricien pour remplacer la prise obsolète. Ne jamais tenter de retirer la broche de mise à la terre.

### REMARQUES CONCERNANT LE CORDON D'ALIMENTATION

Le cordon d'alimentation court inclus a pour but de réduire les risques liés à l'emmêlement ou aux trébuchements pouvant résulter de l'utilisation d'un cordon long. Ne pas utiliser de rallonge électrique avec ce produit.

### AVERTISSEMENT CONCERNANT LES PLASTIFIANTS

**ATTENTION :** Le plastique des pieds de la base de l'unité contient des substances connues sous le nom de plastifiants, qui peuvent déteindre sur les revêtements de comptoir ou de table. Pour éviter que cela se produise, placer un sous-verre ou un napperon en plastique entre l'appareil et le comptoir ou la table. Omettre de le faire pourrait entraîner le noircissement du revêtement et l'apparition d'imperfections ou de taches permanentes.

### ALIMENTATION ÉLECTRIQUE

Si le circuit électrique est surchargé avec d'autres appareils, l'appareil peut ne pas fonctionner correctement. Il doit être utilisé sur un circuit électrique séparé des autres appareils.

## MESURES DE SÉCURITÉ POUR LA VERSEUSE

- Ne pas utiliser une verseuse fêlée ou avec une poignée desserrée ou fragilisée.
- La verseuse est conçue pour une utilisation avec cette cafetière uniquement. Ne pas l'utiliser dans un four conventionnel. Manipuler la verseuse avec précaution. Éviter les chocs.
- Éviter de déposer la verseuse vide sur une surface chaude. Pour le nettoyage, éviter d'utiliser des tampons à récurer en laine d'acier, des produits nettoyants abrasifs ou tout autre matériel pouvant égratigner.
- Ne pas frapper, égratigner ou faire bouillir jusqu'à évaporation complète.
- La verseuse est munie d'un couvercle amovible, spécialement scellé et qui laisse passer le liquide.

**ATTENTION : S'assurer que le couvercle est en tout temps aligné avec le bec verseur avant de verser le café chaud. (Voir l'illustration n° 1)**

## PRODUCTION DE CAFÉ

Cafetière : 10 tasses de 148 ml (5 oz)

**REMARQUE :** Une tasse de 148 ml (5 oz) constitue la norme de l'industrie américaine et est utilisée par la plupart des fabricants de cafetières.

Pour remplir votre grande tasse surdimensionnée, remplissez le réservoir avec une quantité d'eau suffisante pour 3 à 4 tasses soit 444 à 592 ml (15 à 20 oz).

**REMARQUE :** La quantité de café infusée sera toujours moindre que la quantité d'eau versée dans le réservoir puisque jusqu'à 10 % peut être absorbée par le café moulu et le filtre.

**AVERTISSEMENT : POUR RÉDUIRE LES RISQUES D'INCENDIES OU DE COMMOTION ÉLECTRIQUE, NE PAS RETIRER LA PROTECTION INFÉRIEURE NI LA BOÎTE DE RANGEMENT DU CORDON D'ALIMENTATION. AUCUNE PIÈCE RÉPARABLE PAR L'UTILISATEUR N'EST INCLUSE À L'INTÉRIEUR. TOUTE RÉPARATION DOIT ÊTRE EFFECTUÉE UNIQUEMENT PAR DU PERSONNEL QUALIFIÉ AUTORISÉ.**

## PANIER-FILTRE PERMANENT

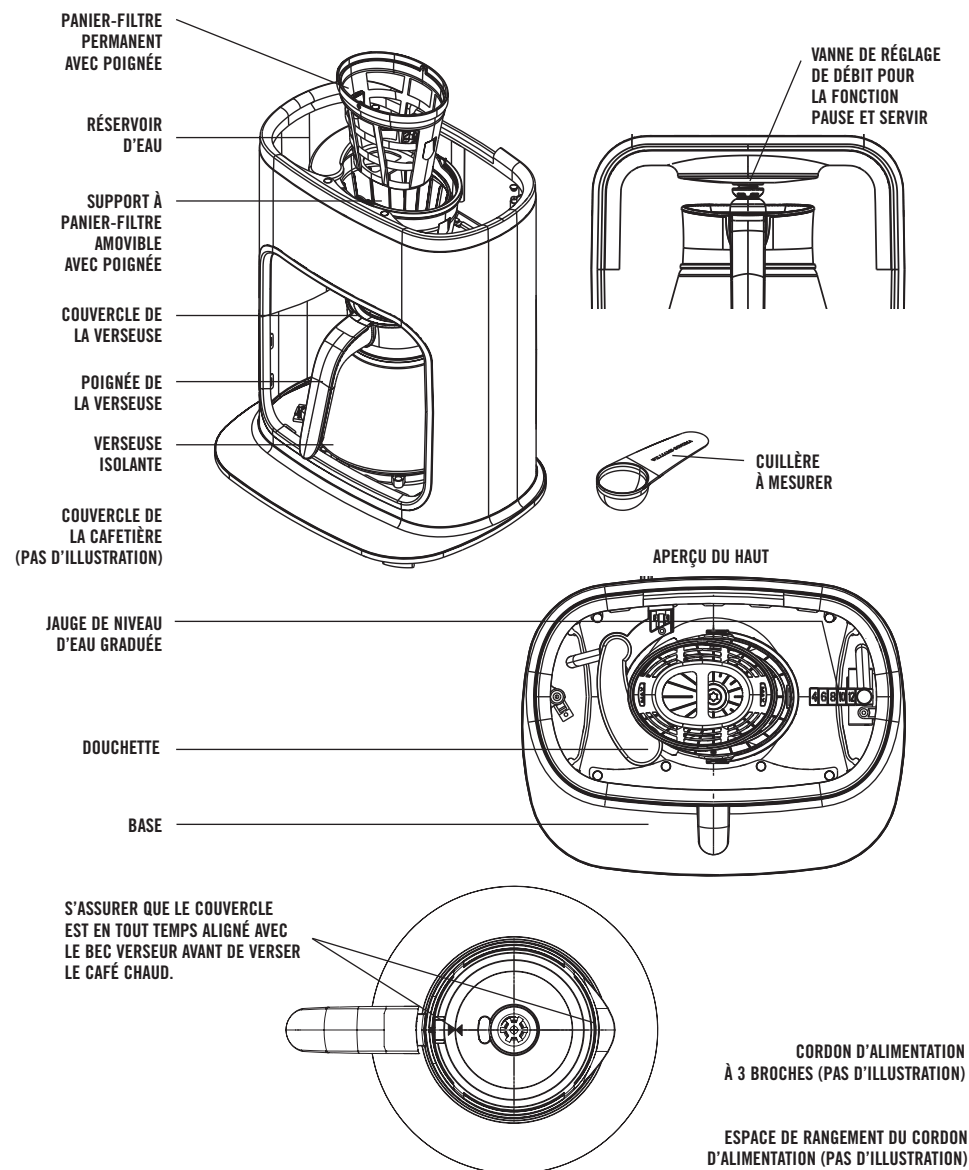
- Écologique, le panier-filtre permanent permet d'éviter les filtres en papier jetables.
- Le panier-filtre permanent à fond plat repose facilement sur toute surface plane et propre favorisant un remplissage facile et sans dégâts.
- Une fois l'infusion terminée, soulever et ouvrir le couvercle de la cafetière. Déplier la poignée du panier-filtre permanent de manière à pouvoir le soulever et le sortir du support à panier-filtre amovible, jeter le marc de café, rincer et remettre en place.
- Replier la poignée vers le bas et fermer le couvercle de la cafetière.

## CONNAÎTRE VOTRE CAFETIÈRE

### DESCRIPTION DES PIÈCES

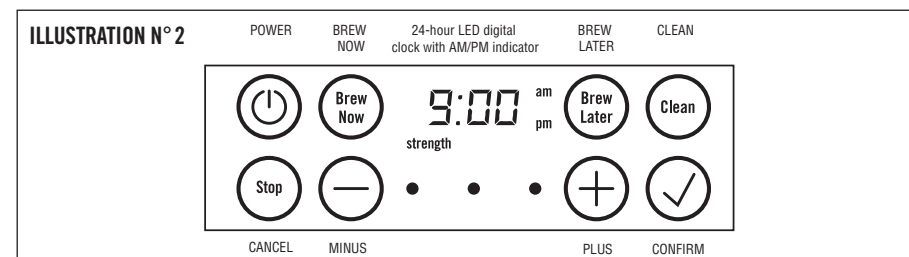
Le produit peut différer légèrement de l'illustration.

#### ILLUSTRATION N° 1



## PANNEAU DE COMMANDE À ÉCRAN TACTILE

Toutes les fonctions, conçues de manière intuitive, s'illuminent et émettent un signal sonore lorsqu'elles sont activées. Une fois la fonction sélectionnée et l'opération en cours, le panneau de commande à écran tactile n'affiche que les options disponibles de la fonction choisie. Une fois la cafetière branchée, le bouton interrupteur « **POWER** » commence à apparaître graduellement, puis il se met à clignoter doucement. Lorsque le bouton **POWER** est enfoncé, un signal sonore est émis et le Menu principal (Voir l'illustration n° 2) apparaît.



**STOP ANNULER.** Appuyer sur **STOP** à n'importe quel moment pour **ÉTEINDRE** la cafetière.

**INFUSER MAINTENANT.** Clignote pendant l'infusion du café.

**INFUSER PLUS TARD.** Appuyer pour programmer ou visualiser un aperçu des temps d'infusion à venir.

**Horloge numérique 24 heures à DEL** avec indicateur AM/PM.

#### (+) PLUS

Appuyer sur (+) pour avancer l'heure en incréments de 1 minute.

Appuyer sur (+) et maintenir la touche enfoncée pour avancer en incréments de 15 minutes.

Appuyer sur (+) pour augmenter l'intensité de l'infusion.

#### (-) MOINS

Appuyer sur (-) pour réduire l'heure en incréments de 1 minute.

Appuyer sur (-) et maintenir la touche enfoncée pour avancer en incréments de 15 minutes.

Appuyer sur (-) pour réduire l'intensité de l'infusion.

#### (✓) CONFIRMER

Appuyer sur (✓) pour confirmer les choix avant l'infusion.

Appuyer sur (✓) pour confirmer la sélection de l'intensité de l'infusion.

**REMARQUE IMPORTANTE :** À défaut d'appuyer sur la touche (✓) dans les 2 minutes, la cafetière passera en mode **VEILLE** et les choix ne seront **PAS** enregistrés.

**INTENSITÉ DE L'INFUSION.** Choisir parmi trois **INTENSITÉS** d'infusion :

(•) Standard

(••) Gourmet

(•••) Corsée

#### NETTOYAGE.

Après chaque 80 infusions, le bouton **NETTOYAGE** s'illumine. Veuillez suivre les instructions détaillées apparaissant dans la section cycle de **NETTOYAGE** de ce guide pour obtenir des résultats optimaux.

**REMARQUE :** Lorsque la cafetière est débranchée, le nombre d'usages sera remis à zéro.

## AVANT LA PREMIÈRE UTILISATION

**ATTENTION :** Afin de prévenir les risques de commotion électrique, ne pas immerger la cafetière dans l'eau ou laisser le cordon d'alimentation entrer en contact avec de l'eau ou tout autre liquide.

- Retirer tout le matériel d'emballage et les étiquettes se trouvant à l'intérieur et à l'extérieur de la cafetière. Placer l'appareil sur une surface plane et propre.
- Avant de préparer du café, nettoyer soigneusement la verseuse isolante, le couvercle, le panier-filtre amovible, le panier-filtre permanent et la cuillère dans de l'eau chaude savonneuse. Rincer et sécher. Remettre en place les pièces démontées.

**REMARQUE :** La verseuse, le couvercle, le support pour panier-filtre amovible et le panier-filtre permanent sont tous lavables au lave-vaisselle dans le panier supérieur. La cuillère à mesurer doit être placée dans le lave-vaisselle avec la coutellerie.

- Nettoyer l'intérieur de la cafetière en infusant deux verseuses entières avec de l'eau du robinet (voir les instructions concernant l'infusion du café). Ne pas ajouter le panier-filtre permanent ou le café moulu pour ce nettoyage initial.

## APERÇU DU PROCESSUS D'INFUSION DU CAFÉ

- Utiliser la languette frontale pour soulever le couvercle de la cafetière et visualiser la jauge de niveau d'eau étagée. Remplir la verseuse avec de l'eau froide du robinet ou de l'eau distillée et verser doucement dans le réservoir d'eau.

**ATTENTION :** Ne jamais faire fonctionner la cafetière lorsque le réservoir d'eau est vide.

**IMPORTANT :** Avant chaque infusion, bien s'assurer que le niveau d'eau est supérieur à la marque de 2 tasses et ajouter de l'eau si nécessaire.

**ATTENTION :** Ne jamais ajouter de l'eau au-delà du niveau de 10 tasses.

- Remettre le couvercle sur la verseuse vide et placer cette dernière en position sur la plaque chauffante.
- Abaisser le panier-filtre amovible dans le boîtier.
- Déposer le panier-filtre permanent sur une surface plane et propre.

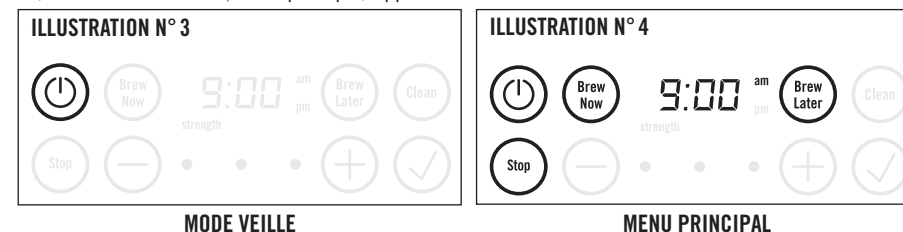
**REMARQUE :** Toujours utiliser le panier-filtre permanent fourni, d'autres filtres pouvant causer des débordements.

Utiliser la cuillère à mesurer pour ajouter 1 cuillère de café moulu par tasse de café. Modifier selon les préférences personnelles. La capacité maximale de café moulu est de 13 cuillères à mesurer pour cette cafetière. Utilisez un café de mouture moyenne pour cafetière à filtre. Une mouture trop fine produira un goût amer et peut causer des débordements.

**REMARQUE :** Si l'utilisation de filtres en papier est préférable, utiliser les filtres n° 4 de forme conique disponibles en blanc ou brun naturel. Lorsque vous utilisez un filtre en papier, ne pas dépasser 10 cuillères à mesurer de café.

- Abaisser le panier-filtre permanent rempli de café moulu dans le support pour panier-filtre amovible. Replier la poignée du panier-filtre permanent vers le bas.
- Fermer le couvercle.

- Pour obtenir de meilleurs résultats, préchauffer la verseuse isolante avant d'infuser le café. Une verseuse chaude aide à conserver la température optimale du café pour qu'il reste chaud plus longtemps. Retirer le couvercle de la verseuse isolante et la remplir d'eau chaude. Laisser reposer l'eau chaude dans la verseuse pendant 30 secondes avant de la jeter. Verrouiller le couvercle de la verseuse vide en position avant de la mettre en place sur la base.
- Brancher le cordon d'alimentation dans une prise de courant à 3 fiches de 120 volts. Le bouton **POWER** commencera à apparaître, puis clignotera lentement. (Voir l'illustration n° 3, mode **VEILLE**). Lorsque le bouton **POWER** est enfoncé, un signal sonore est émis et le menu principal (Voir l'illustration n° 4, Menu principal) apparaît.



- Suivre les instructions détaillées décrites dans ce guide concernant les fonctions **INFUSER MAINTENANT** ou **INFUSER PLUS TARD**.

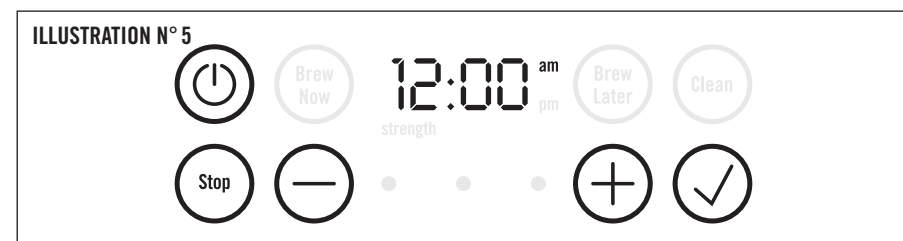
- Une fois l'infusion terminée, 3 bips se font entendre et la cafetière SÉTEINT.

**ATTENTION :** S'assurer que le couvercle est en tout temps aligné avec le bec verseur avant de verser le café chaud. (Voir l'illustration n° 1)

**IMPORTANT!** Vider la verseuse isolante puis la rincer avec de l'eau tiède et propre après chaque utilisation. Ne pas laisser de café infusé dans la verseuse isolante toute la nuit pour éviter de la tacher.

## RÉGLAGE DE L'HEURE ACTUELLE

- Une fois la cafetière branchée, le bouton interrupteur « **POWER** » commence à apparaître graduellement, puis il se met à clignoter doucement.
- Lorsque le bouton **POWER** est enfoncé, un signal sonore est émis et l'heure par défaut 12:00 AM s'affiche. (Voir l'illustration n° 5)



### RÉGLER L'HEURE ACTUELLE

- Appuyer sur (+) pour avancer l'heure en incréments de 1 minute. Appuyer sur (+) et maintenir la touche enfoncée pour avancer en incréments de 15 minutes.

- Appuyer sur (–) pour réduire l'heure en incréments de 1 minute.  
Appuyer sur (–) et maintenir la touche enfoncée pour avancer en incréments de 15 minutes.  
**REMARQUE** : Prêter attention aux paramètres AM et PM.
- Une fois que l'heure actuelle s'affiche correctement, appuyer sur (✓).  
**REMARQUE** : La cafetière passera en mode **VEILLE** dans les 2 minutes si la touche (✓) n'est pas enfoncée et l'heure actuelle ne sera pas enregistrée.
- Pour réinitialiser l'horloge, débrancher la cafetière.  
**REMARQUE** : Lorsque la cafetière est débranchée, le nombre d'usages avant le **NETTOYAGE** sera redémarré.

## INFUSER MAINTENANT

- Appuyer sur le bouton **POWER**.
- Les fonctions **INFUSER MAINTENANT** et **INFUSER PLUS TARD** s'illumineront.  
L'heure actuelle sera affichée. (Voir l'illustration n° 4)
- Appuyer sur **INFUSER MAINTENANT**. L'icône d'**INTENSITÉ DE L'INFUSION** s'illumine et la fonction (●) **INTENSITÉ D'INFUSION** standard commence à clignoter. La fonction (●) **INTENSITÉ D'INFUSION** standard est activée par défaut et 1 lumière à DEL s'illuminera. (Voir l'illustration n° 6)

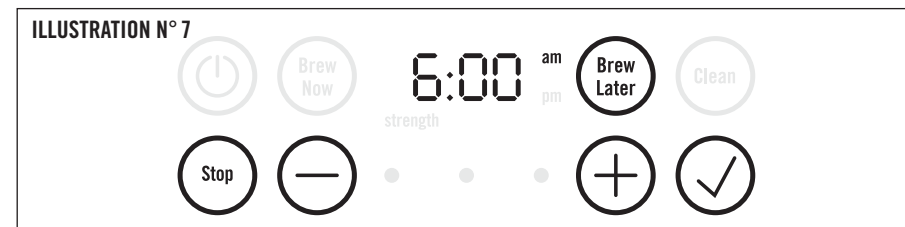


### Modifier l'INTENSITÉ DE L'INFUSION

- Pour modifier l'intensité de l'infusion, appuyer sur (+) **PLUS** pour passer de (●) **Standard** à (●●) **Gourmet** à (●●●) **Corsée**. Appuyer sur (–) pour réduire l'**INTENSITÉ DE L'INFUSION**.  
**REMARQUE** : Pour votre commodité, le dernier choix d'**INTENSITÉ D'INFUSION** devient la sélection par défaut pour la prochaine verseuse de café infusé.
- Pour confirmer le choix, appuyer sur (✓). Un signal sonore sera émis.  
La fonction **INFUSER MAINTENANT** clignotera lorsque le café commence à infuser.  
**IMPORTANT!** Appuyer sur **STOP** à n'importe quel moment pour **ÉTEINDRE** la cafetière.
- Une fois l'infusion terminée, 3 bips se font entendre et la cafetière s'**ÉTEINT**.  
**ATTENTION** : S'assurer que le couvercle est en tout temps aligné avec le bec verseur avant de verser le café chaud. (Voir l'illustration n° 1)

## FONCTION INFUSER PLUS TARD (RÉGLER L'HEURE DE LA PROCHAINE INFUSION)

- La cafetière peut être programmée pour démarrer une infusion jusqu'à 24 heures à l'avance.  
**AVERTISSEMENT** : S'assurer que la cafetière est réglée en mode d'infusion du café. Remplir le réservoir d'eau, ajouter du café fraîchement moulu au panier-filtre permanent et fermer le couvercle. Placer la verseuse vide avec son couvercle au centre de la base.
- Appuyer sur le bouton **POWER**. Les fonctions **INFUSER MAINTENANT** et **INFUSER PLUS TARD** s'illumineront. L'heure actuelle sera affichée. Appuyer sur **INFUSER PLUS TARD**.  
Un clignotement sera visible.
- STOP**, (–), (+), et (✓) s'illumineront. L'heure de la prochaine infusion par défaut, soit 6:00 AM (ou la dernière heure de la prochaine infusion déjà programmée), s'affichera. (Voir l'illustration n° 7)



### RÉGLER L'HEURE ACTUELLE

- Appuyer sur (+) pour avancer l'heure en incréments de 1 minute.  
Appuyer sur (+) et maintenir la touche enfoncée pour avancer en incréments de 15 minutes.
- Appuyer sur (–) pour réduire l'heure en incréments de 1 minute.  
Appuyer sur (–) et maintenir la touche enfoncée pour avancer en incréments de 15 minutes.  
**REMARQUE** : Prêter attention aux paramètres AM et PM.
- Lorsque la prochaine heure d'infusion juste s'affiche, appuyer sur (✓).  
**REMARQUE** : La cafetière passera en mode **VEILLE** dans les 2 minutes si la touche (✓) n'est pas enfoncée et elle ne sera **PAS** programmée pour infuser dans les heures qui suivent.
- L'icône de la fonction **INTENSITÉ DE L'INFUSION** s'illumine. Pour modifier l'**INTENSITÉ DE L'INFUSION**, appuyer sur (+) pour faire passer l'**INTENSITÉ DE L'INFUSION** de (●) **Standard** à (●●) **Gourmet** à (●●●) **Corsée**. Appuyer sur (–) pour réduire l'**INTENSITÉ DE L'INFUSION**.  
**REMARQUE** : Pour votre commodité, le dernier choix de l'**INTENSITÉ D'INFUSION** et le prochain choix d'infusion deviennent la sélection par défaut pour la prochaine verseuse à **INFUSER PLUS TARD**.
- Pour confirmer le choix, appuyer sur (✓). Un signal sonore sera émis. La fonction **INFUSER PLUS TARD** clignotera pour indiquer que la cafetière est prête à infuser à l'heure préprogrammée.  
**REMARQUE** : La cafetière passera en mode **VEILLE** dans les 2 minutes si la touche (✓) n'est pas enfoncée et elle ne sera **PAS** programmée pour infuser dans les heures qui suivent.

- Pour annuler l'heure d'infusion préprogrammée, appuyer sur **INFUSER PLUS TARD**. L'heure d'infusion préprogrammée s'affiche ainsi que la touche **STOP**. Appuyer sur **STOP** pour annuler l'infusion préprogrammée.
- Une fois l'heure d'infusion préprogrammée atteinte, la fonction **INFUSER PLUS TARD** cesse de fonctionner et la fonction **INFUSER MAINTENANT** se met à clignoter. L'infusion démarre alors.
- Une fois le cycle d'infusion terminé, 3 bips se font entendre et la cafetière s'**ÉTEINT**.

---

## PAUSE ET SERVIR

La fonction Pause et Servir permet de verser une tasse de café avant que la verseuse ne soit complètement remplie. Replacer la verseuse sur la base et l'égouttement se poursuit.

**ATTENTION** : Remettre la verseuse sous le panier-filtre dans les 30 secondes pour prévenir un débordement.

---

## CONSEILS POUR UN CAFÉ SAVOUREUX

- Une cafetière propre joue un rôle essentiel à l'infusion d'un café savoureux. Un nettoyage périodique, comme mentionné dans la section du cycle de **NETTOYAGE**, est fortement recommandé.
- Utiliser toujours de l'eau fraîche dans la cafetière.
- Pour obtenir un goût optimal, programmer la cafetière pour infuser le café selon l'**INTENSITÉ D'INFUSION** désirée. Choisir parmi (●) **Standard**, (●●) **Gourmet** ou (●●●) **Corsée**.
- Pour une saveur de café infusé optimale, acheter des grains de café entiers et les moulin juste avant l'infusion.
- Ne pas utiliser le marc de café à nouveau puisque cela affecte grandement la saveur du café.
- Il n'est pas recommandé de faire chauffer le café à nouveau. Le café est à son meilleur immédiatement après l'infusion.
- Les gouttelettes d'huile à la surface du café noir infusé proviennent de l'huile extraite des grains de café. Les dépôts huileux sont plus fréquents lors de l'utilisation de cafés extrêmement torréfiés. La surextraction peut également causer des dépôts huileux nécessitant le nettoyage de la cafetière.

---

## RÉPARATIONS

Cet appareil nécessite peu d'entretien. Il ne contient aucune pièce réparable par l'utilisateur. Toute réparation nécessitant un démontage autre que pour le nettoyage doit être effectuée par un technicien de réparation d'appareils qualifié.

### ENTRETIEN ET NETTOYAGE

**IMPORTANT!** Vider la verseuse isolante puis la rincer avec de l'eau tiède et propre après chaque utilisation. Ne pas laisser de café infusé dans la verseuse isolante toute la nuit pour éviter de la tacher.

- S'assurer que la cafetière est débranchée avant de procéder au nettoyage.
- Après chaque utilisation, retirer le panier-filtre permanent, jeter le marc de café et rincer soigneusement.
- Laver le panier-filtre amovible et la verseuse isolante avec de l'eau chaude savonneuse. Retirer le couvercle de la verseuse complètement et frotter avec une brosse et du savon. La verseuse, le couvercle, le support pour panier-filtre amovible et le panier-filtre permanent sont tous lavables au lave-vaisselle dans le panier supérieur. La cuillère à mesurer doit être placée dans le lave-vaisselle avec la cutellerie.
- Essuyer l'extérieur de la cafetière avec un chiffon humide pour enlever les taches superficielles. Pour les taches plus tenaces, utiliser une éponge en nylon ou en plastique avec un produit nettoyant non abrasif. Ne pas utiliser d'éponge à récurer ou de produit nettoyant abrasif.
- Sécher et remettre en place les pièces démontées. S'assurer d'abaisser correctement le panier-filtre amovible afin qu'il repose parfaitement dans le boîtier.
- Fermer le couvercle.

## CYCLE DE NETTOYAGE

**IMPORTANT** : Afin de garantir une saveur et un rendement optimal avec la cafetière lorsqu'elle est utilisée régulièrement et dans des conditions normales, il est recommandé d'utiliser le cycle **NETTOYAGE** après 80 utilisations.

**REMARQUE** : Le cycle de nettoyage complet prendra entre 45 à 60 minutes.

- Les minéraux présents dans l'eau peuvent altérer la saveur du café et prolonger possiblement la durée d'infusion. Il est recommandé d'utiliser le cycle **NETTOYAGE** lorsque la touche **NETTOYAGE** s'illumine (après 80 utilisations). (Voir l'illustration n° 8)

**IMPORTANT** : Retirer toujours le panier-filtre permanent et le panier-filtre amovible avant d'enclencher le cycle **NETTOYAGE**.



CYCLE DE NETTOYAGE

- Mélanger 1,42 l (6 tasses) de vinaigre blanc et 0,95 l (4 tasses) d'eau froide dans la verseuse.
- Verser la solution vinaigrée dans le réservoir d'eau et fermer le couvercle de la cafetière.
- Placer la verseuse vide sur la base.
- Appuyer sur **NETTOYAGE**. Un bip se fait entendre au début du cycle de **NETTOYAGE**. Une partie du mélange s'écoulera pendant le cycle d'infusion au cours d'une séquence lente d'une durée de 5 minutes. Au cours du cycle de **NETTOYAGE**, le restant du mélange demeure à l'intérieur de la cafetière et est relâché périodiquement pendant 45 minutes.  
**IMPORTANT!** Appuyer sur **STOP** à n'importe quel moment pour **ÉTEINDRE** la cafetière.
- À la fin du cycle de **NETTOYAGE**, 3 bips se font entendre, la fonction **NETTOYAGE** disparaît de l'écran et la cafetière S'ÉTEINT automatiquement.
- Jeter l'eau qui reste dans la verseuse. Laver la verseuse, le panier-filtre amovible et le panier-filtre permanent avec de l'eau chaude savonneuse.
- Infuser deux ou trois verseuses d'eau fraîche avec la cafetière avant d'y infuser à nouveau du café.
- Sécher soigneusement les pièces.
- Remettre le panier-filtre amovible en place dans le boîtier, puis abaisser le panier-filtre permanent. Abaisser le couvercle.
- Placer la verseuse vide en position sur la base.

## RANGEMENT

- Ne jamais ranger la cafetière lorsqu'elle est encore branchée.
- Débrancher la cafetière et laisser refroidir.
- Ranger la cafetière entièrement assemblée avec le panier-filtre permanent et le panier-filtre amovible en place. Placer la verseuse sur la base. Fermer le couvercle.
- Ranger le cordon d'alimentation dans l'espace de rangement du cordon dessous la cafetière.
- Ranger la cafetière dans sa boîte ou dans un endroit frais et sec.



Developed exclusively for / Conçu en exclusivité pour  
WILLIAMS-SONOMA® 2016.

© 2016 Williams-Sonoma, Inc. San Francisco, Ca 94109 USA. / É.-U.  
2 Grosvenor Street, Suite 201, Level 2, Bondi Junction, NSW 2022, AUS.

Williams Sonoma: 1-877-504-8004  
Made in China / Fabriqué en Chine