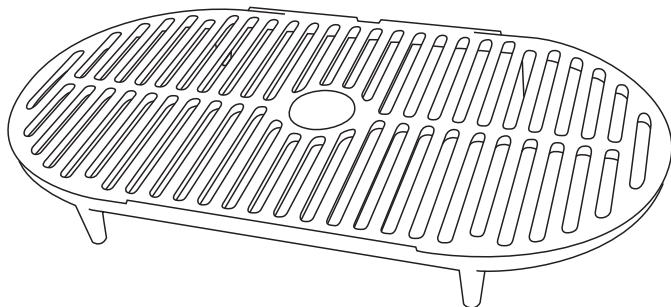


## LODGE SPORTSMAN'S GRILL ASSEMBLY

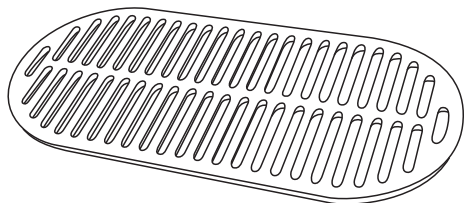
1. Attach the **Fire Bowl** to the **Footed Base** with the nuts and bolts provided. Do not overtighten.
2. Fit the **Wire Bail** to the knobs on either side of the **Fire Bowl**.
3. Set the **Fire Door** in the 2 loop holders on the front of the **Fire Bowl**. The door swings open to load charcoal or remove ashes.
4. Slide the **Draft Door** in the grooved area on the front of the **Footed Base**. Slide it left or right to adjust air flow.

**Cooking:** Place charcoal on top of the **Fire Grate** and ignite. The grill should always be placed on bricks or other fire retardant material.



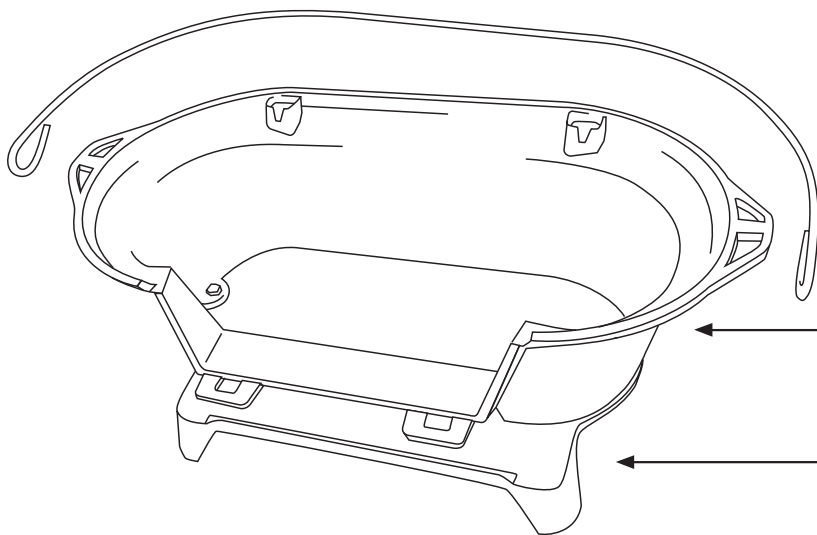
**Cooking Grate // Item# 3051**

Rejilla para cocinar  
Grille de cuisson



**Fire Grate // Item# 3050**

Rejilla  
Grille à charbons



**Wire Bail**

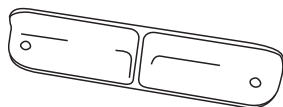
Gancho  
Poignée de transport

**Fire Bowl // Item# 3059**

Brasero  
Chambre à combustion

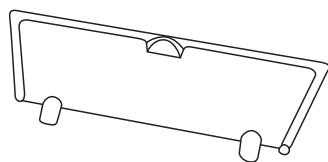
**Footed Base // Item# 3055**

Base con patas  
Socle du grill



**Draft Door // Item# 3056**

Puerta de tiro  
Porte coupe-tirage



**Fire Door // Item# 3058**

Puerta a prueba de incendios  
Portes de la chambre à combustion