

WILLIAMS-SONOMA

Translucent Stone Chandelier Assembly Instruction

CAUTION:

- **BEFORE INSTALLING FIXTURE, MAKE SURE THE POWER TO THE CIRCUIT IS TURNED OFF AT THE MAIN FUSE BOX / CIRCUIT BREAKER UTILITY BOX.**

Important Safety Instructions:

- These instructions are provided for your safety. It is very important that they are read carefully and completely before beginning the assembly and installation of this lighting fixture.
- We strongly recommend that a professional electrician install all direct wire fixtures.
- THIS PRODUCT MUST BE INSTALLED IN ACCORDANCE WITH THE APPLICABLE INSTALLATION CODES BY A PERSON FAMILIAR WITH THE CONSTRUCTION AND OPERATION OF THE PRODUCT AND THE HAZARDS INVOLVED.
- The lighting fixture is meant for indoor use. It must be connected only to 3-wire, single-phase electrical supply systems (provided with Earth wire or equivalent protection system).
- For your safety, it is strongly recommended that two people install the lighting fixture.
- This fixture has been rated for up to four(4) 60-Watt maximum TYPE A standard incandescent light bulbs (not included) or four(4) 13-Watt compact fluorescent light bulbs (not included) or four(4) 9-Watt LED light bulb (not included). To avoid the risk of fire, DO NOT EXCEED THE RECOMMENDED LAMP WATTAGE.
- The lighting fixture is meant for indoor use, DRY LOCATIONS ONLY.
- **Save these instructions.**

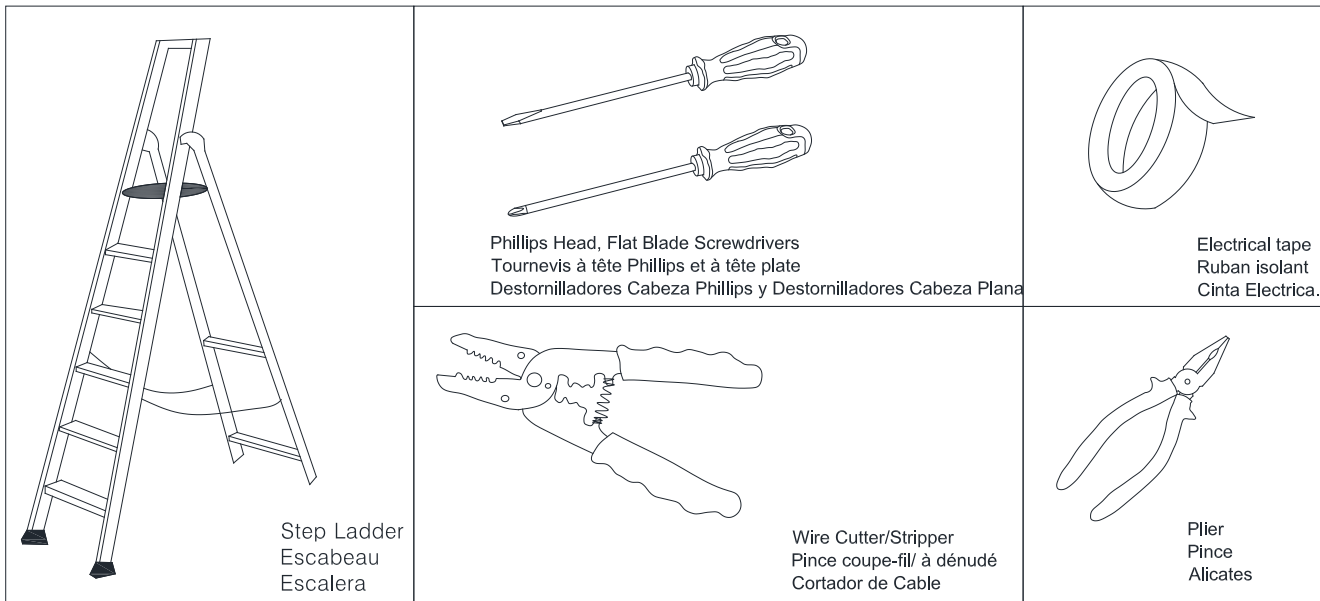
WARNING:

- **To reduce the risk of fire, electrical shock or personal injury, always turn off light fixture and allow it to cool prior to replacing light bulb.**
- **Do not touch bulb when fixture is turned on. Do not look directly at lit bulb.**
- **Keep flammable materials away from lit bulb.**
- **This lighting fixture contains lead, a chemical known to the State of California to cause cancer, birth defects and other reproductive harm. Wash hands after installing, handling, cleaning or otherwise touching this light fixture.**

Pre-assembly:

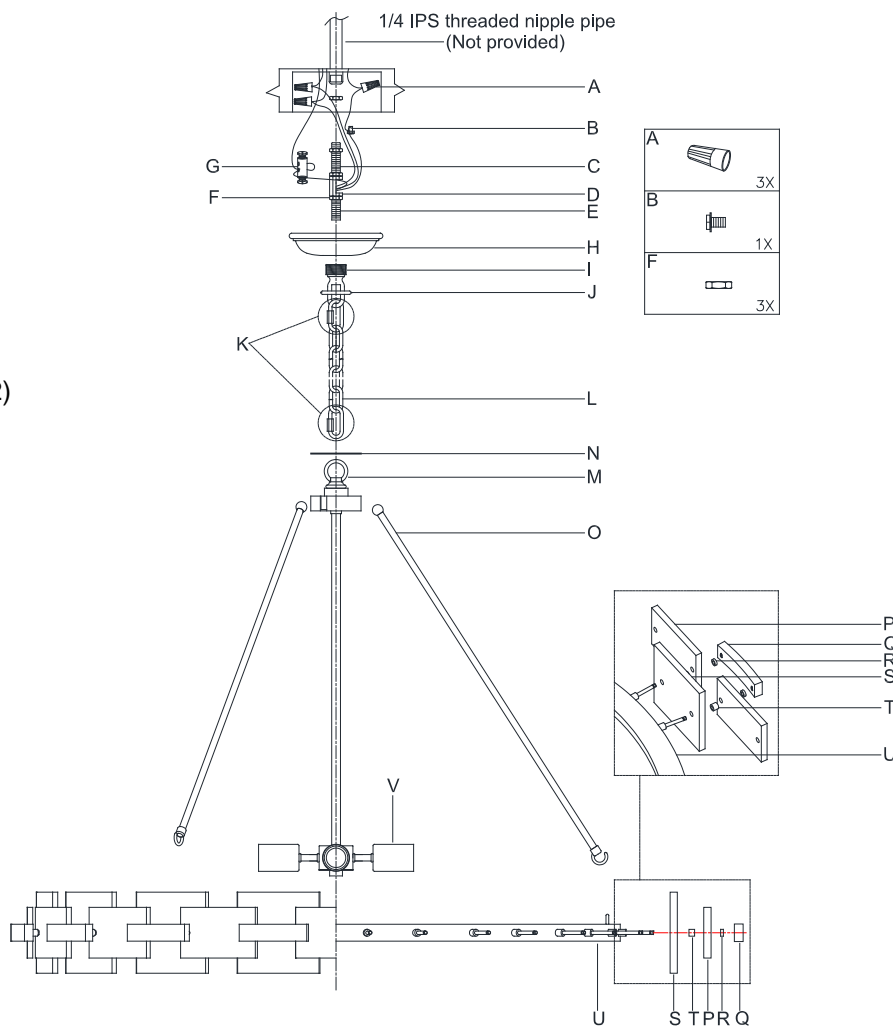
- Remove all parts and hardware from box along with any plastic protective packaging.
- Do not discard any contents until after assembly is complete to avoid accidentally discarding small parts or hardware.
- For your safety and convenience, assembly by two people is recommended.

TOOLS REQUIRED (not included):



Parts Included:

- (C) Threaded Tube (1)
- (D) Hickey (1)
- (E) Threaded Tube (1)
- (F) Hex Nut (3)
- (G) Cable Lock Nut (1)
- (H) Canopy (1)
- (I) Hanging Loop (1)
- (J) Canopy Nut (1)
- (K) Closeable Links with Screw Caps (2)
- (L) Chain (1)
- (M) Fixture Loop (1)
- (N) Round Plate (1)
- (O) Hanging Rod (3)
- (P) Small Quartz (16)
- (Q) Block (16)
- (R) Threaded Ring (32)
- (S) Large Quartz (16)
- (T) Small connector (32)
- (U) Fixture Body (1)
- (V) Socket (4)

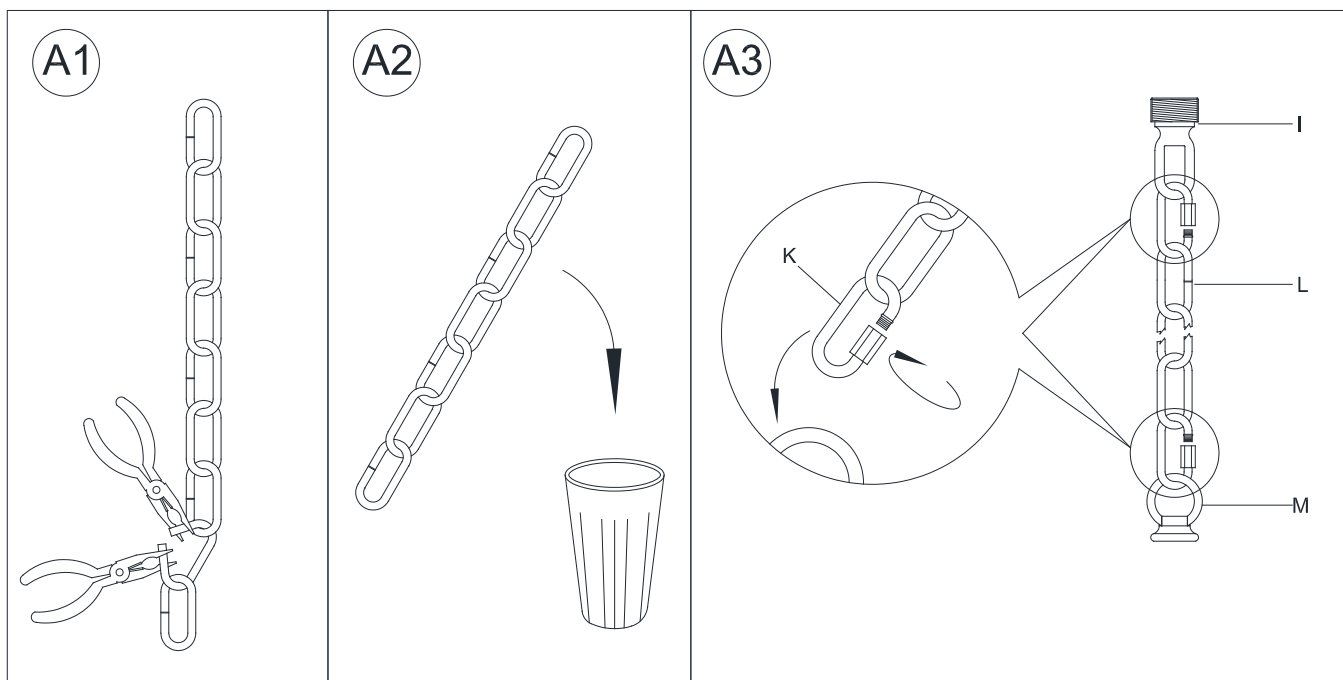


Hardware Enclosed:

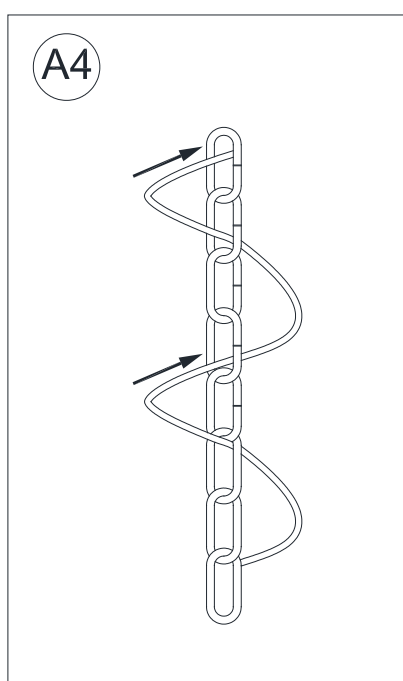
- (A) Plastic Wire Nut Connectors (3)
- (B) Green Ground Screw (1)

To adjust the suspension length of the fixture:

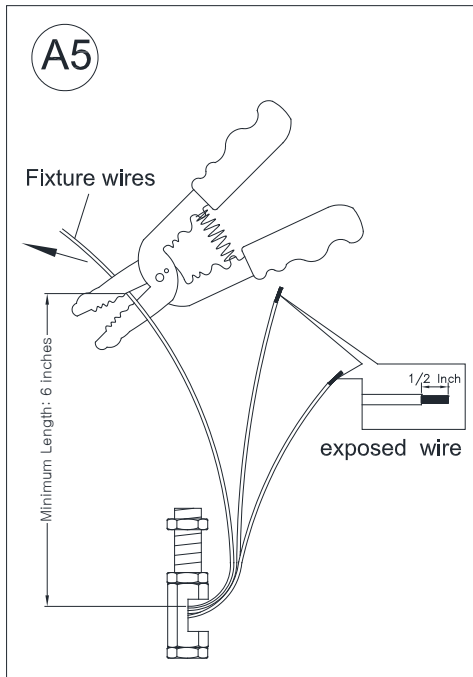
1. Note: The adjustment or shortening of the lighting fixture's suspension length is only needed if the factory set chain length is not appropriate for your installation. We recommend that you adjust the chain to the proper desired length before cutting the electrical cord. Determine the lighting fixture suspension length from the ceiling for the product installation, allowing the extra cord length for the outlet junction box wire connections as noted below.
2. (See A1& A2) The chain length may be shortened from either end. Use two pairs of pliers to gently pry the link apart along a split-line formed in each link so that a space is created large enough for the link to be removed from the remaining chain. Use a cloth or folded piece of paper between the pliers and the link to protect the finish of the link during bending. Once the Chain (L) is at the desired length, reattach the Chain (L) as shown in the diagram below. (See A3)



3. (See A4) Weave the fixture's 2 wire power cord and bare ground wire through every other loop to the top of Chain (L).

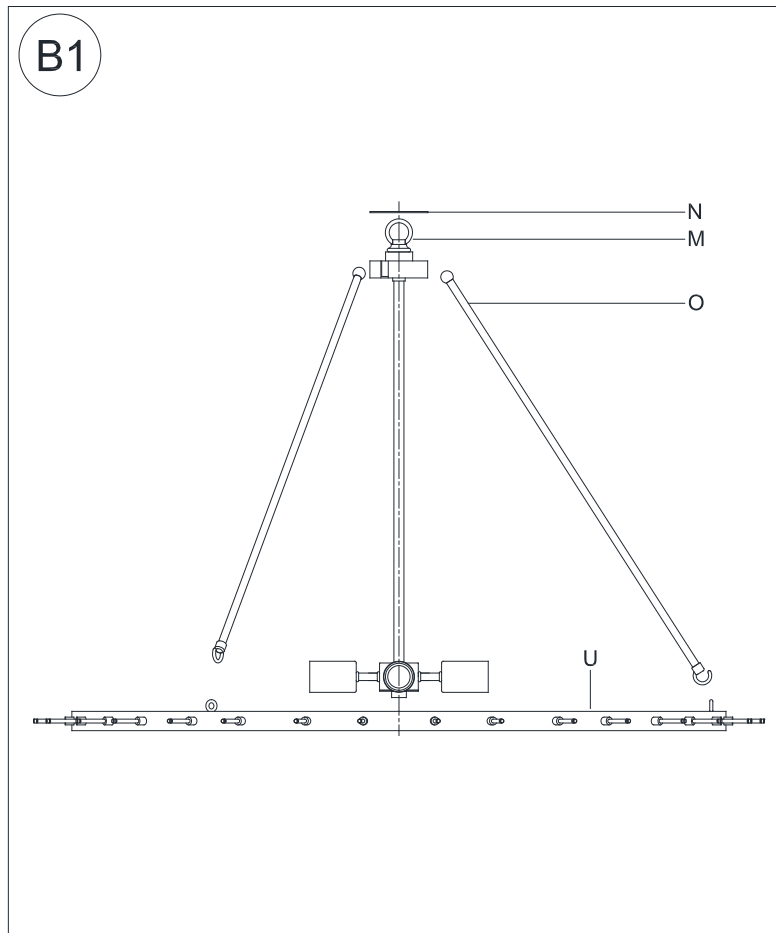


4. (See A5) If needed, cut off the extra power cord length on the 2 wire cord and bare ground wire so that they all are at least 6 inches (152.4 mm) long within the outlet junction box (J-box).



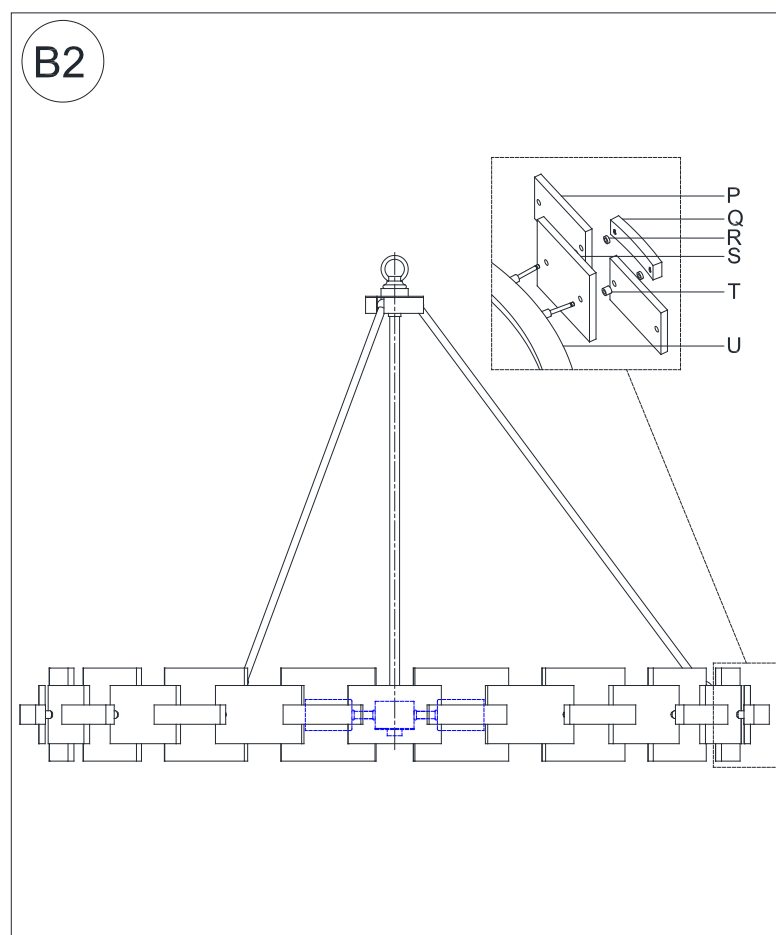
Assembly & Installation Instructions:

- **SHUT OFF THE MAIN ELECTRICAL SUPPLY FROM THE MAIN FUSE BOX/CIRCUIT BREAKER.**
- Carefully unpack all fixture parts and hardware and lay them on a clear workspace.



Attach the Hanging Rod (O) one end to the hook on the fixture body (U), one end to the box under the Fixture Loop (M).

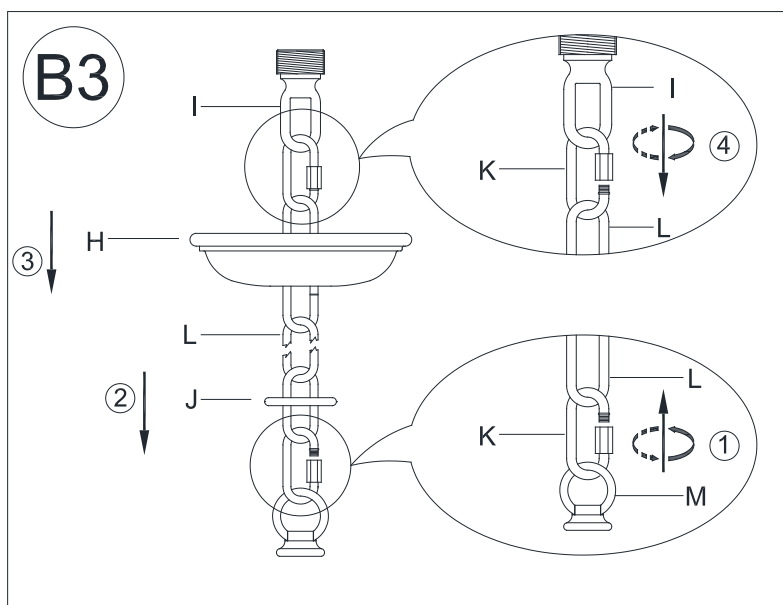
Let the Round Plate (N) pass through the Fixture Loop (M).



1. Attach the Large Quartz (S) to the Fixture Body (U), then attach the Small Connector (T) to the Fixture Body (U)

2. Attach the Small Quartz (P) to the Fixture Body (U), then thread the Threaded Ring (R) to the Fixture Body (U).

3. Hang the Block (Q) to the Fixture Body (U).

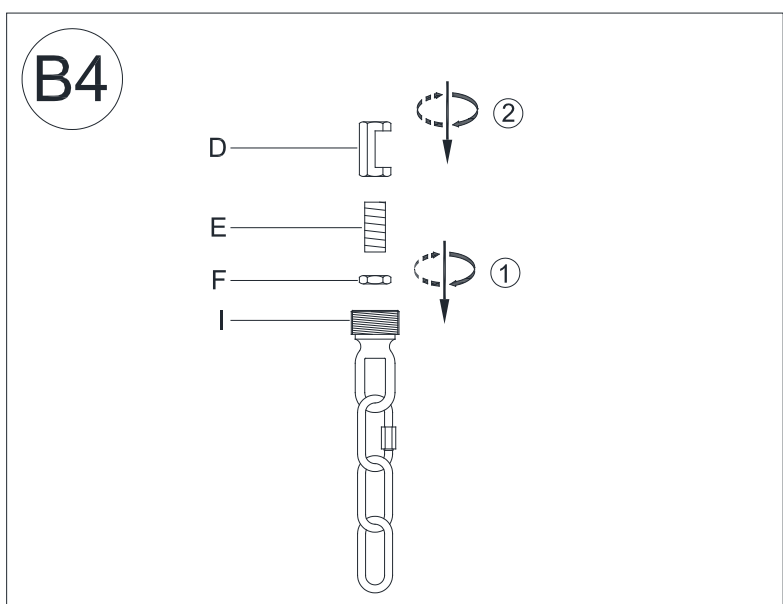


1. Insert the bottom loop of Chain (L) and Fixture Loop (M) into the Closeable Link (K), tighten the Closeable Link Screw Cap.

2. Slide the Canopy Nut (J) over the upper end of Chain (L).

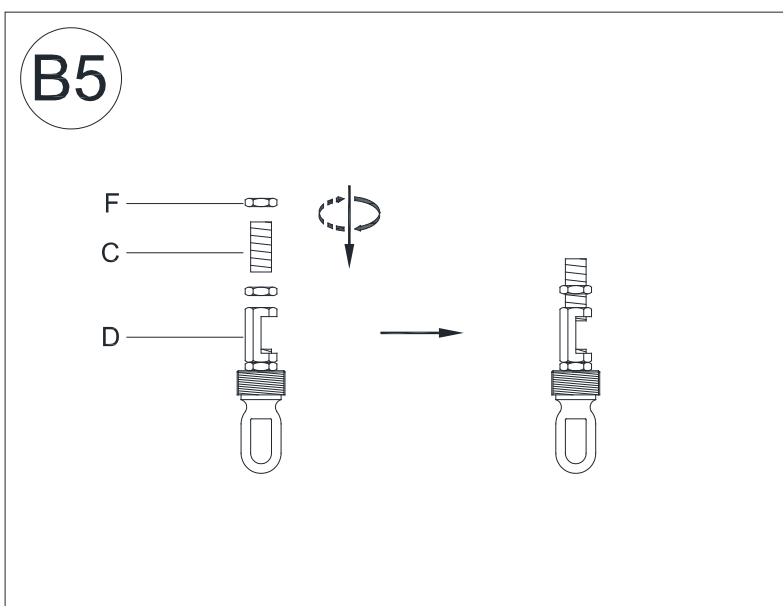
3. Slide the Canopy (H) over the upper end of Chain (L).

4. Insert the top loop of Chain (L) and Hanging Loop (I) into the Closeable Link (K), tighten the Closeable Link Screw Cap.

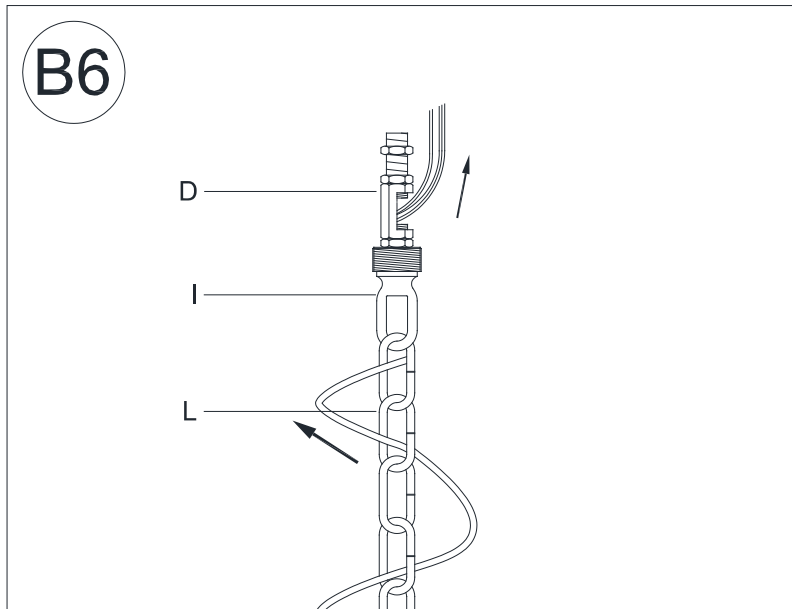


1. Attach the Threaded Tube (E) into the threaded bore of the Hanging Loop (I) and rotate the Threaded Tube (E) clockwise until it is tightly engaged within the Hanging Loop (I).

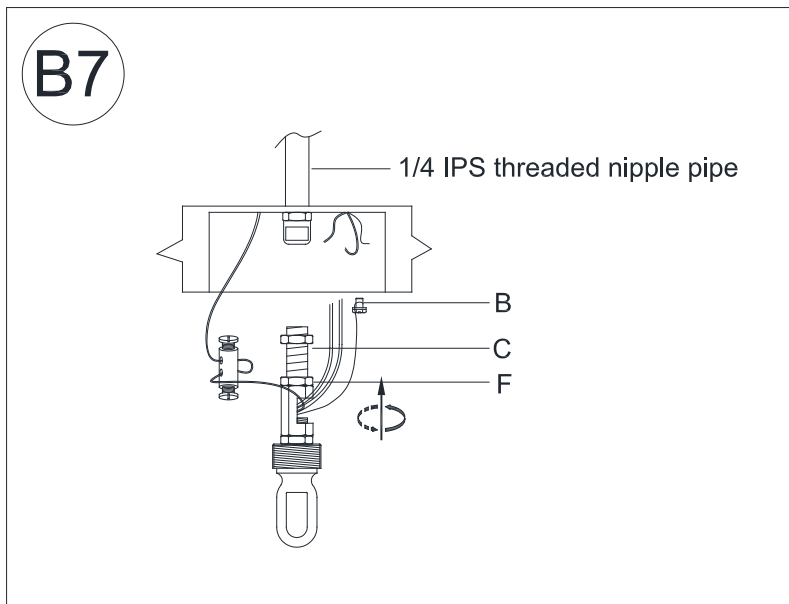
2. Attach the Hex Nut (F), Hickey (D) onto the top end of the Threaded Tube (E) so that a portion of the Threaded Tube (E) extends beyond the Hickey (D).



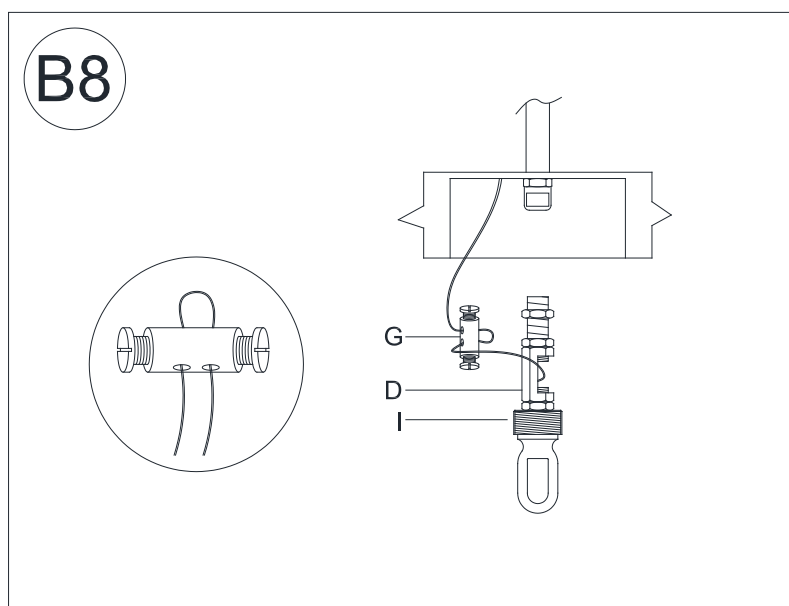
Thread the Threaded Tube (C) to the Hickey (D), then position the Hex Nut (F) onto the top end of The Threaded Tube (C) and tighten the Hex Nut (F). Thread another Hex Nut (F) onto the Threaded Tube (C).



Weave the fixture 2 wire power cord and bare ground wire through every other loop to the top of Chain (L), and then through the Hanging Loop (I) and Hickey (D).



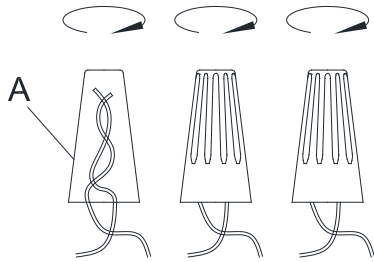
With the help of another person to hold the weight of lighting fixture, attach the Hex Nut (F) and the Threaded Tube (C) onto the 1/4 IPS threaded nipple pipe which has been provided in the outlet box.



TO ASSEMBLE SAFETY CABLES:

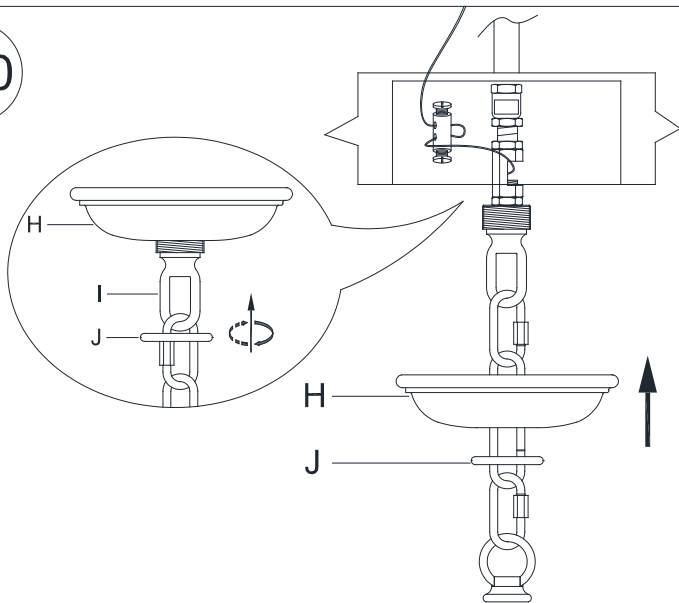
1. Join fixture safety cables with safety cable from Ceiling.
2. Wrap both safety cable around the Cable Lock Nut (G).
3. Insert screws into both holes on Cable Lock Nut and then secure screws with screwdriver.
4. Push the Cable Lock Nut (G) into outlet box.

B9



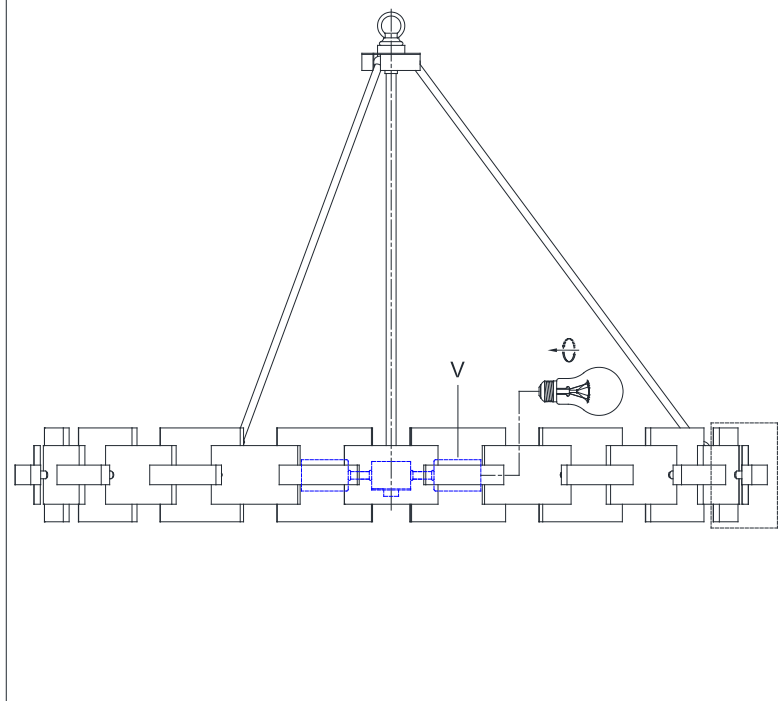
Please read the section “**To Make the Wire Connections**” Below.

B10



Slide the Canopy (H) upward along the chain with the upper rim of the canopy pressed gently against the ceiling surface. Position the Canopy Nut (J) against the Hanging Loop (I) and rotate the nut clockwise to engage it with the threaded portion of the Hanging Loop (I) until secure. Do not over tighten this nut.

B11

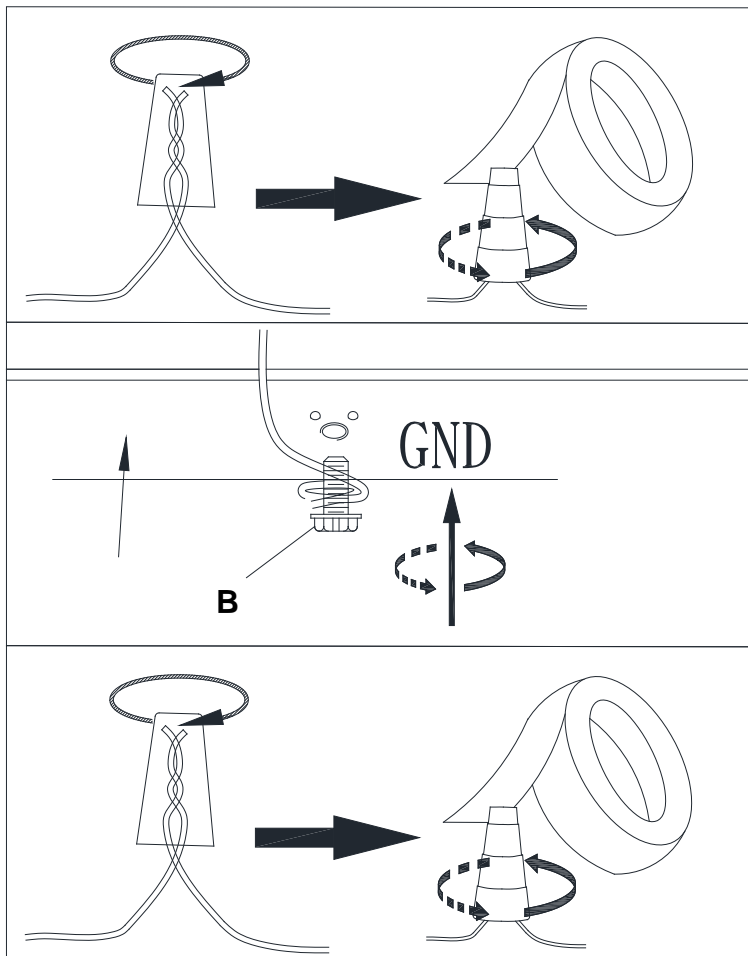


Insert the specified light bulbs into each Sockets(V).

DO NOT EXCEED THE SPECIFIED WATTAGE.

To Make the Wire Connections:

1. Gently pull existing wire down from the ceiling junction box and allow wires to hang. The HOT or LIVE wire is usually black. The NEUTRAL wire is usually white. Check to see if there is a ground wire that is usually green or green with a yellow stripe or exposed copper metal wire. If needed, use a pair of wire strippers to remove about 1/2 inch of insulation from each wire.
2. Carefully inspect the fixtures wires. The NEUTRAL FIXTURE WIRE has FINE LONGITUDINAL RIDGES running along its length. The HOT FIXTURE WIRE is SMOOTH and the BARE COPPER WIRE is the GROUND WIRE. If you have any doubt and cannot identify the power-supply wires with confidence, then we recommend that you ask an electrician and that you not continue with the installation.
3. With the help of another person to hold the weight of the fixture, attach the fixture wires to the junction box wires as shown in the illustrations.



NOTE:

IT IS IMPERATIVE THAT THE JUNCTION BOX IN YOUR HOME BE PROPERLY GROUNDED!

DO NOT REVERSE THE HOT AND NEUTRAL CONNECTIONS OR SAFETY WILL BE COMPROMISED.

4. Check the wiring connections and if all looks good, gently tuck the wire connections neatly into the ceiling junction box.

Care instructions:

- Wipe clean with a soft, dry cloth or static duster.
- Always avoid the use of harsh chemicals or abrasive cleaners as they may cause damage to the fixture's finish.

Thank you for your purchase

Stores | catalog | www.williams-sonoma.com

USA 1.877.812.6235