



Woven Leather Pendant Assembly and Installation Instructions

CAUTION:

- **BEFORE INSTALLING FIXTURE, MAKE SURE THE POWER TO THE CIRCUIT IS TURNED OFF AT THE MAIN FUSE BOX / CIRCUIT BREAKER UTILITY BOX.**

Important Safety Instructions:

- These instructions are provided for your safety. It is very important that they are read carefully and completely before beginning the assembly and installation of this lighting fixture.
- We strongly recommend that a professional electrician install all direct wire fixtures.
- THIS PRODUCT MUST BE INSTALLED IN ACCORDANCE WITH THE APPLICABLE INSTALLATION CODES BY A PERSON FAMILIAR WITH THE CONSTRUCTION AND OPERATION OF THE PRODUCT AND THE HAZARDS INVOLVED.
- The lighting fixture is meant for indoor use. It must be connected only to 3-wire, single-phase electrical supply systems (provided with Ground wire or equivalent protection system).
- For your safety, it is strongly recommended that two people install the lighting fixture.
- This fixture has been rated for up to one (1) **40-Watt maximum TYPE A standard light bulb** (not included) or one (1) **9-Watt compact fluorescent light bulb** (not included). To avoid the risk of fire, do not exceed the recommended lamp wattage.
- Use with approved Williams-Sonoma Shades only, having a minimum opening diameter of 3-1/2 inches and a minimum lamp-to-shade spacing of 2 inches.
- The lighting fixture is meant for indoor use, DRY LOCATIONS ONLY.
- **Save these instructions.**

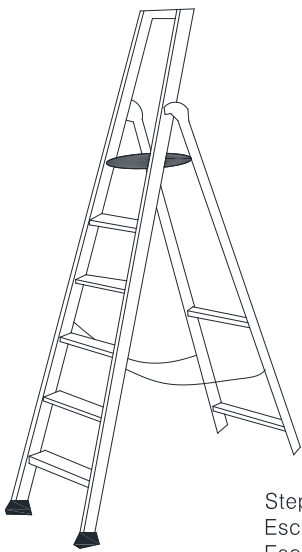
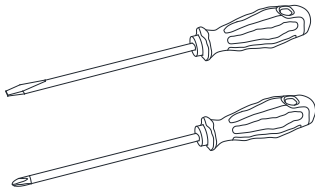
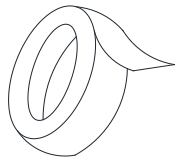
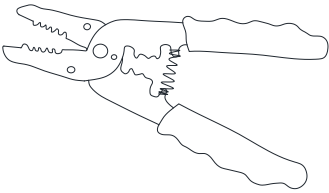
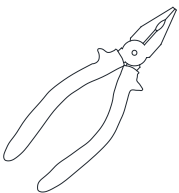
WARNING:

- **To reduce the risk of fire, electrical shock or personal injury, always turn off light fixture and allow it to cool prior to replacing light bulb.**
- **Do not touch bulb when fixture is turned on. Do not look directly at lit bulb.**
- **Keep flammable materials away from lit bulb.**
- **This lighting fixture contains lead, a chemical known to the State of California to cause cancer, birth defects and other reproductive harm. Wash hands after installing, handling, cleaning or otherwise touching this light fixture.**

Pre-assembly:

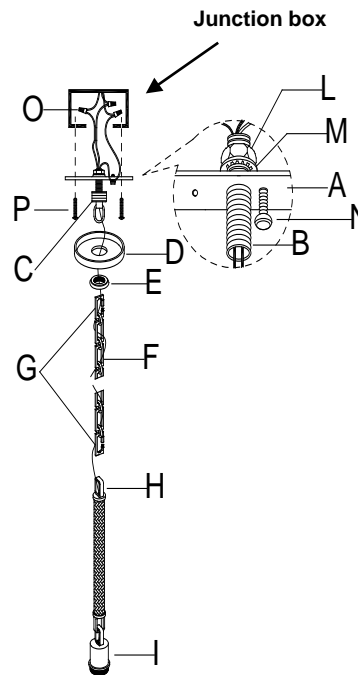
- Remove all parts and hardware from box along with any plastic protective packaging.
- Do not discard any contents until after assembly is complete to avoid accidentally discarding small parts or hardware.
- For your safety and convenience, assembly by two people is recommended.

TOOLS REQUIRED (not included):

 <p>Step Ladder Escabeau Escalera</p>	 <p>Phillips Head, Flat Blade Screwdrivers Tournevis à tête Phillips et à tête plate Destornilladores Cabeza Phillips y Destornilladores Cabeza Plana</p>	 <p>Electrical tape Ruban isolant Cinta Electrica.</p>
	 <p>Wire Cutter/Stripper Pince coupe-fil/ à dénudé Cortador de Cable</p>	 <p>Plier Pince Alicates</p>

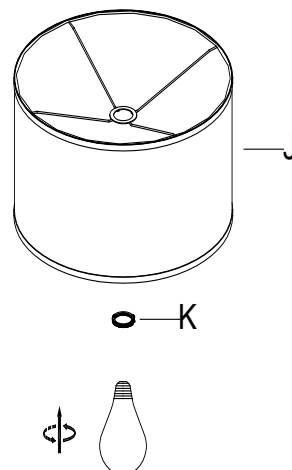
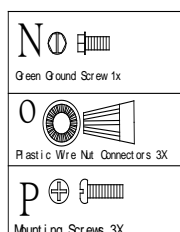
Parts Included:

- (A) Mounting Plate (1)
- (B) Threaded Tube (1)
- (C) Hanging Loop (1)
- (D) Canopy (1)
- (E) Canopy Nut (1)
- (F) Chain (1)
- (F) Small Filigree Metal Band (1)
- (G) Closable Links with Screw Caps (2)
- (H) Fixture Loop (1)
- (I) Socket (1)
- (J) Shade (1)
- (K) Socket Ring (1)
- (L) Hex Nut (1)
- (M) Lock Washer (1)



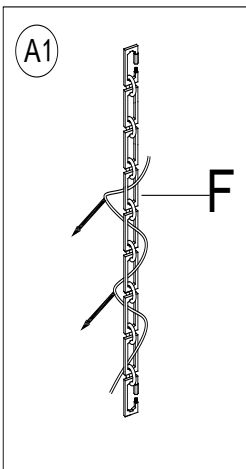
Hardware Enclosed:

- (N) Green Ground Screw (1)
- (O) Plastic Wire Nut Connectors (3)
- (P) Mounting Screws (2)

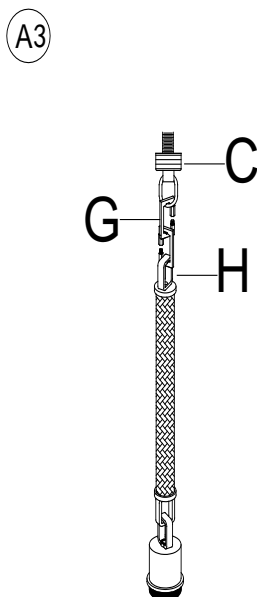
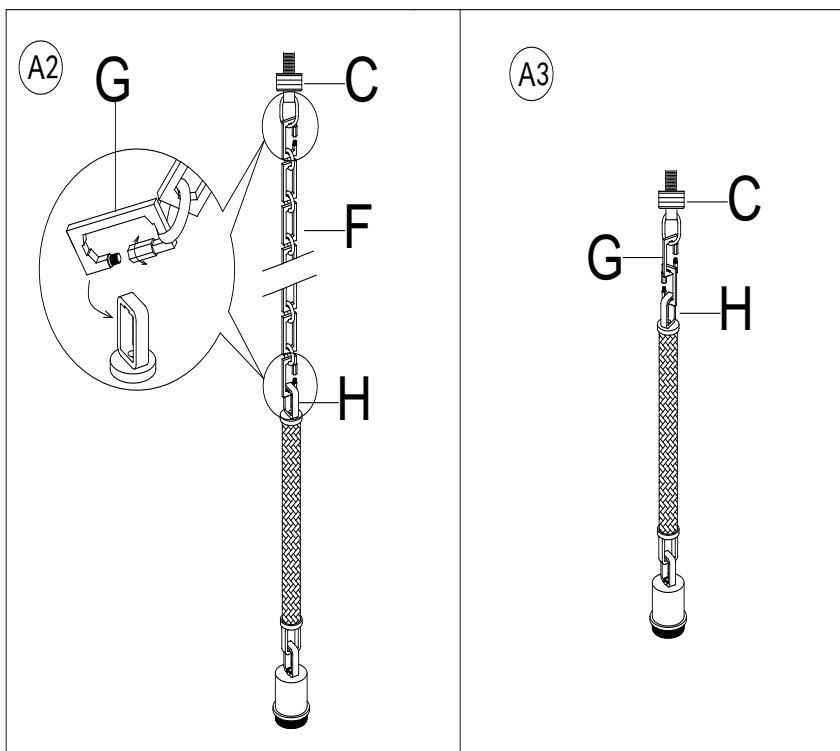


To adjust the suspension length of the fixture:

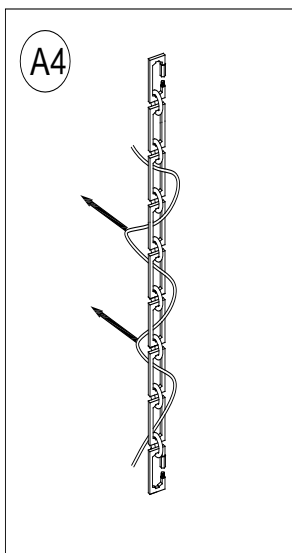
1. Note: The adjustment or shortening of the lighting fixture's suspension length is only needed if the factory set chain length is not appropriate for your installation. We recommend that you adjust the chain to the proper desired length before cutting the electrical cord. Determine the lighting fixture suspension length from the ceiling for the product installation, allowing the extra cord length for the outlet junction box wire connections as noted below.
2. (See A1) Pull out the fixtures 2 wire power cord and bare ground wire woven through the Chain (F).



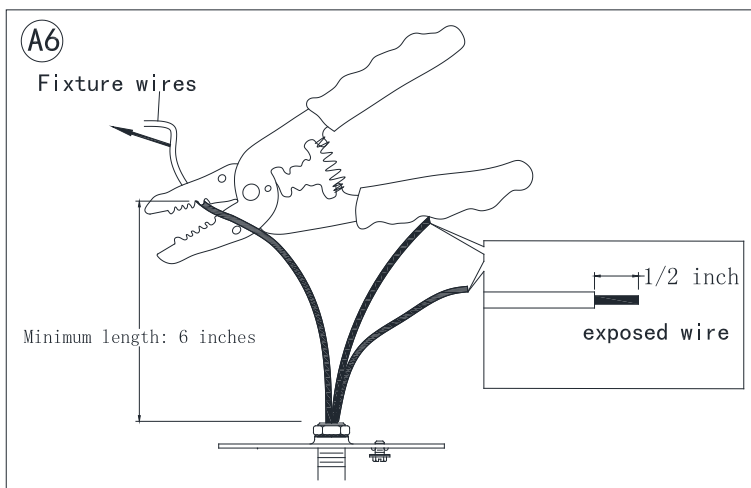
3. (See A2 & A3) There are two hanging lengths for this light fixture as below:
 - a. Unscrew the closable links (G) by loosen the screw caps, attach one of closable link (G) to Hang Loop (C) and one of closable link (G) to Fixture Loop (H) and secure with screw caps..(See A2)
 - b. Remove the chain (F) away, attach closable link (G) to Fixture Loop (H) (See A3). For future use purpose, do not discard the Chain way.



- (See A4) Re-weave the fixture 2 wire power cord and bare ground wire through every other loop to the top of Chain (F).

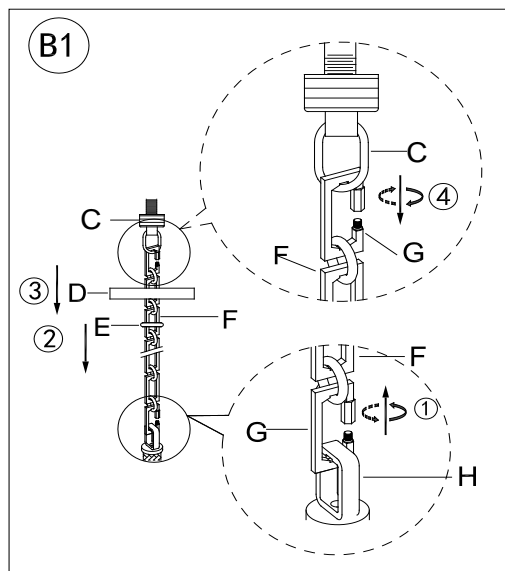


- (See A6) If needed, cut off the extra power cord length on the 2 wire cord and bare ground wire so that they all are at least 6 inches (152.4 mm) long within the outlet junction box (J-box).

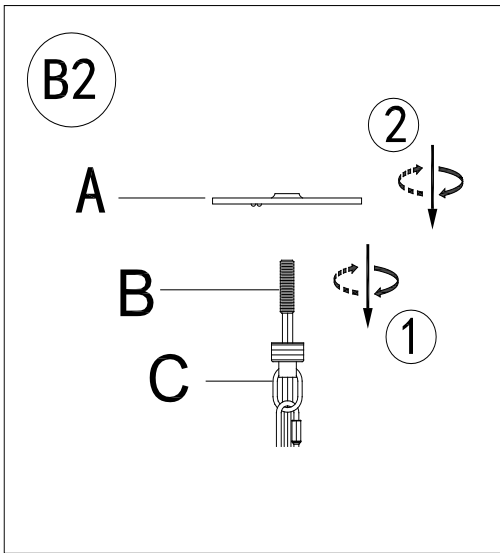


Assembly & Installation Instructions:

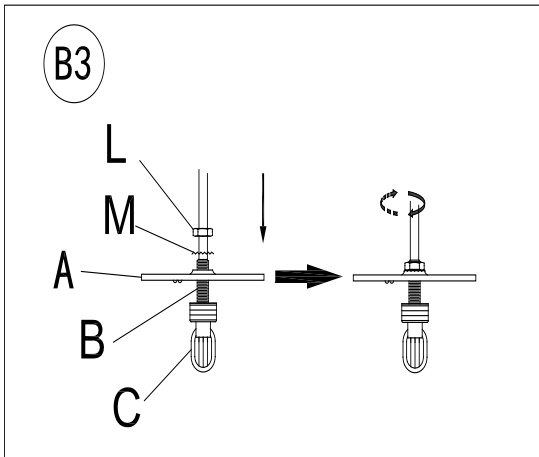
- **SHUT OFF THE MAIN ELECTRICAL SUPPLY FROM THE MAIN FUSE BOX/CIRCUIT BREAKER.**
- Carefully unpack all fixture parts and hardware and lay them on a clear workspace



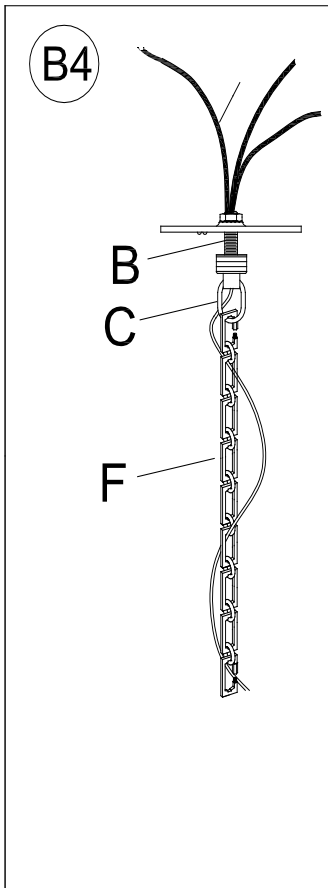
1. Attach the Closable Link (G) onto the Fixture Loop (H).
2. Slide the Canopy Nut (E) over the upper end of Chain (F).
3. Slide the Canopy (D) over the Chain (F).
4. Attach the remaining Closable Link (G) onto the Hanging Loop (C).



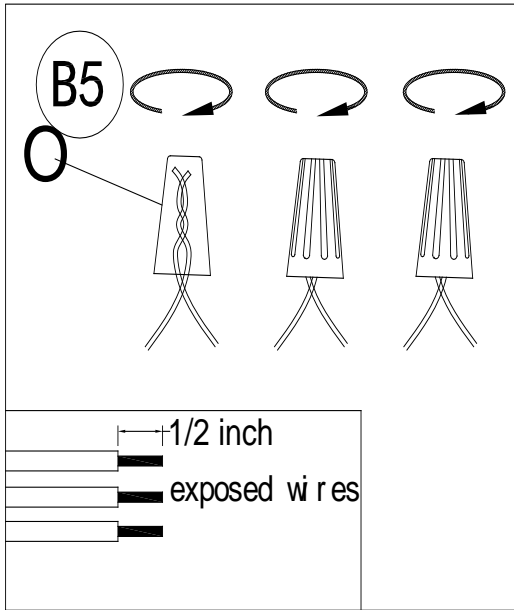
1. Attach the Threaded Tube (B) into the threaded bore of the Hanging Loop (C) and rotate the Threaded Tube (B) clockwise until it is tightly engaged within the Hanging Loop (C).
2. Attach the Mounting Plate (A) onto the top end of the Threaded Tube (B) so that a portion of the Threaded Tube (B) extends beyond the Mounting Plate (A).



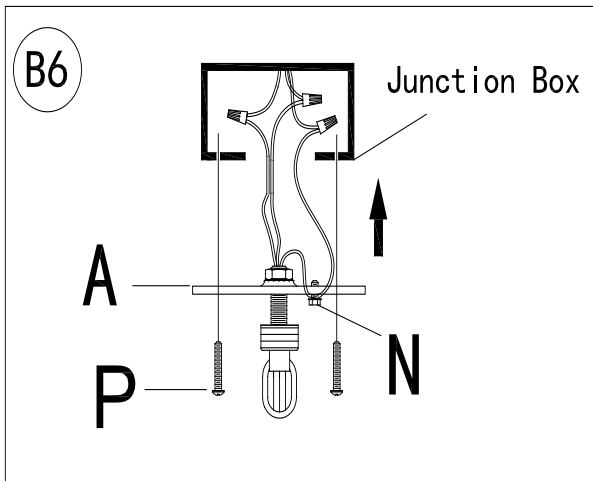
Position the Lock Washer (M) first and then the Hex Nut (L) onto the top end of Threaded Tube (B). Tighten the Hex Nut (L) until tight using pliers so that the Hanging Loop (C) is now firmly secured to the middle of the Mounting Plate (A).



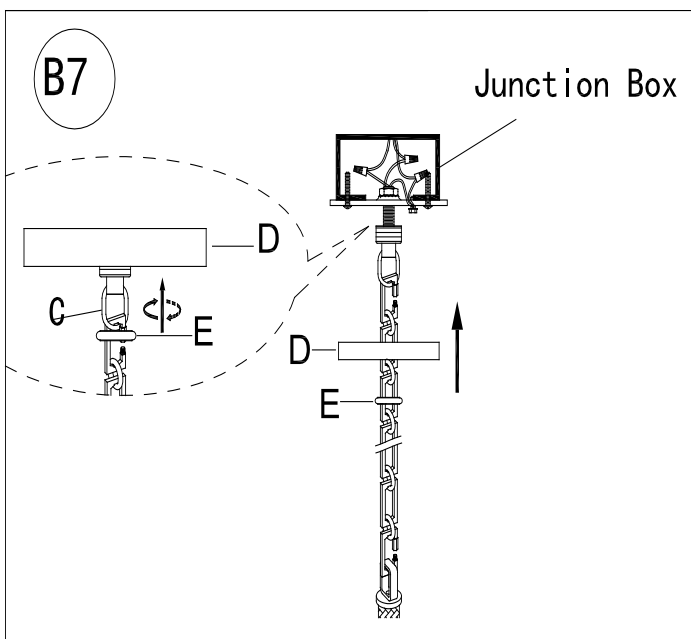
Weave the fixture power cord and bare ground wire through every other loop to the top of Chain (F), and then through the Hanging Loop (C) and Threaded Tube (B)



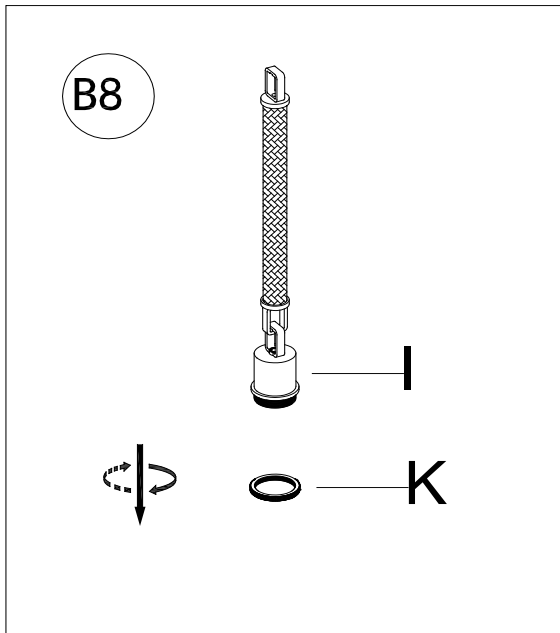
Please read the section "To Make the Wire Connections" Below.



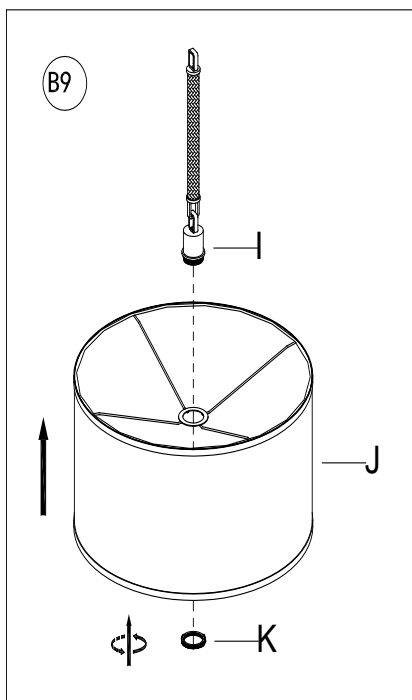
Attach the Mounting Plate (A) onto the junction box using two Mounting Screws (P)



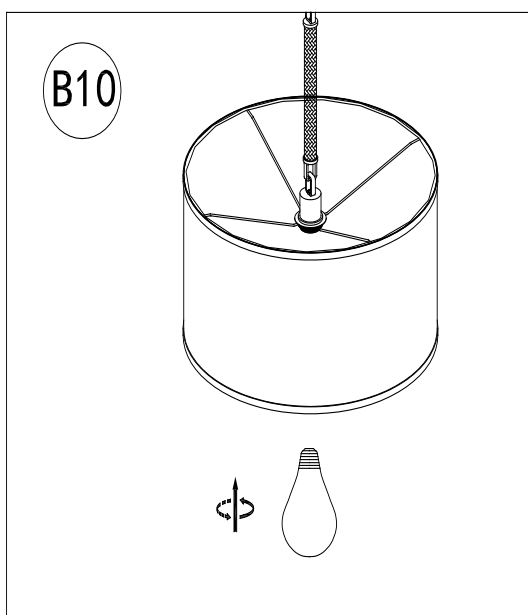
Slide the Canopy (D) upward along the chain with the upper rim of the canopy pressed gently against the ceiling surface. Position the Canopy Nut (E) against the Hanging Loop (C) and rotate the nut clockwise to engage it with the threaded portion of the Hanging Loop (C) until secure. Do not over tighten this nut.



Unscrewing Socket Ring (K) from Socket (I) by turning Socket Ring (K) clockwise direction.



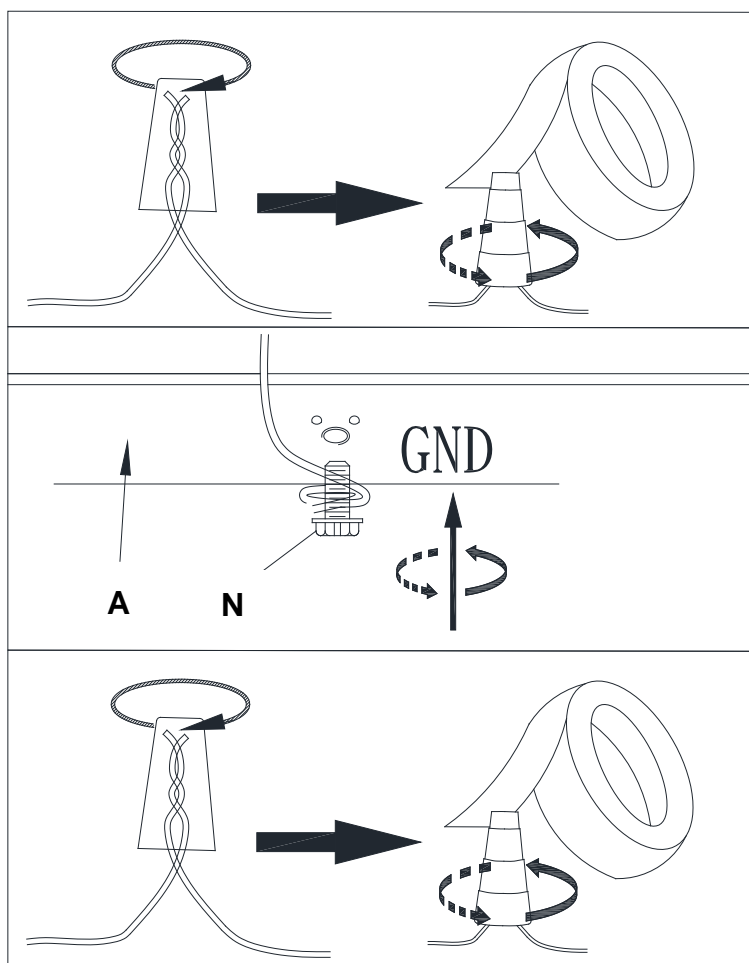
Place the Lamp Shade (J) onto the threaded section of Socket (I); secure the Lamp Shade (J) by turning the Socket Ring (K) in a counter clockwise direction by hand until secure.



Insert one (1) **40-watt maximum TYPE A standard incandescent light bulb** (not included) or one (1) **9-watt compact fluorescent light bulb** (not included) into the Socket (I). **DO NOT EXCEED THE SPECIFIED WATTAGE.**

To Make the Wire Connections:

1. Gently pull existing wire down from the ceiling junction box and allow wires to hang. The HOT or LIVE wire is usually black. The NEUTRAL wire is usually white. Check to see if there is a ground wire that is usually green or green with a yellow stripe or exposed copper metal wire. If needed, use a pair of wire strippers to remove about 1/2 inch of insulation from each wire.
2. Carefully inspect the fixture wires. The NEUTRAL FIXTURE WIRE has FINE LONGITUDINAL RIDGES running along its length. The HOT FIXTURE WIRE is SMOOTH and the BARE COPPER WIRE is the GROUND WIRE. If you have any doubt and cannot identify the power-supply wires with confidence, then we recommend that you ask an electrician and that you not continue with the installation.
3. With the help of another person to hold the weight of the fixture, attach the fixture wires to the junction box wires as shown in the illustrations.



NOTE:

IT IS IMPERATIVE THAT THE JUNCTION BOX IN YOUR HOME BE PROPERLY GROUNDED!

DO NOT REVERSE THE HOT AND NEUTRAL CONNECTIONS OR SAFETY WILL BE COMPROMISED.

4. Check the wiring connections and if all looks good, gently tuck the wire connections neatly into the ceiling junction box.

Care instructions:

- Wipe clean with a soft, dry cloth or static duster.
- Always avoid the use of harsh chemicals or abrasive cleaners as they may cause damage to the fixture's finish.

Thank you for your purchase

Stores / Catalog / www.potterybarn.com

USA 1.800.290.8181

US/CN

Page 8 of 8

Connect the GROUND FIXTURE WIRE to the GROUND J-BOX WIRE using the Plastic Wire Nut Connector (O) and wrap the connection with electrical tape. Be sure that no wire strands are exposed.

If the junction box DOES NOT have a GROUND WIRE, wrap the fixture's bare ground wire around the Green Ground Screw (N) and insert the screw into the Mounting Plate (A), marked as "GND", and tighten screw to secure the wire.

Connect the NEUTRAL FIXTURE WIRE to the NEUTRAL J-BOX WIRE first and then connect the HOT FIXTURE WIRE to the HOT J-BOX WIRE using the Plastic Wire Nut Connectors (O). Wrap these connections with electrical tape. Be sure that no wire strands are exposed.