

# WILLIAMS-SONOMA

## WIDE CRYSTAL BLOCK LAMP

### Assembly Instructions

#### Important Safety Instructions:

- This portable lamp has a polarized plug (one blade is wider than the other) as a safety feature to reduce the risk of electric shock. This plug will fit in a polarized outlet only one way. If it does not fit fully in the outlet, reverse the plug. If it still does not fit, contact a qualified electrician. Never use with an extension cord unless the plug can be fully inserted.
- These instructions are provided for your safety. It is important that they are read carefully and completely before assembling fixture.
- This fixture has been rated for up to (2) 60-watt maximum TYPE A standard bulb (not included) or (2) 13W CFL lamp (included). To avoid the risk of fire, do not exceed the recommended wattage.

#### Warning:

- To reduce the risk of fire, electrical shock, or personal injury, always turn off and unplug lamp and allow it to cool prior to replacing light bulb.
- Do not touch bulb when fixture is turned on. Do not look directly at lit bulb.
- Keep flammable materials away from lit bulb.
- All wires are connected at the factory. Please be careful when unpacking the lamp so that wires do not get damaged.

#### Pre-assembly:

- Remove all parts and hardware from box along with any plastic protective packaging.
- Do not discard any contents until after assembly is complete to avoid accidentally discarding small parts or hardware.

#### Parts Enclosed:

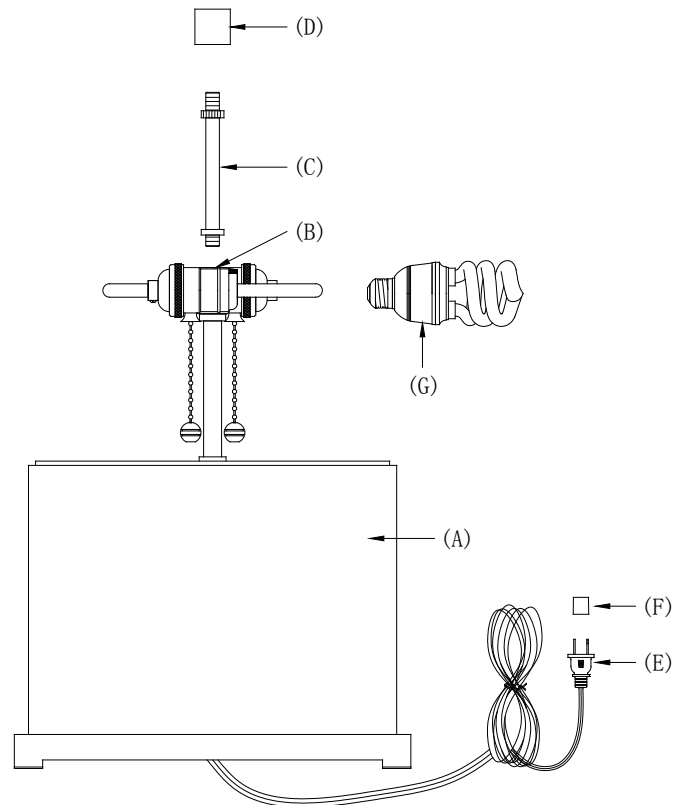
- (1) Lamp Base (A) including pre-assembled:
- "S" cluster(B)
- (1) Shade support tube(C)
- (1) Finial (D)
- (1) Cord with plug (E)
- (1) Protective plug cover (F)
- (2) Energy saving bulbs (G)

#### To Assemble

1. Thread shade support tube (C) into top threaded opening of "S" cluster(B).
2. Remove finial (D) from top threaded nipple of shade support tube(C).
3. Place lampshade (sold separately) over top nipple of shade support tube(C) and align top nipple with the opening at the top of the shade so that the threaded nipple protrudes through the opening. **(Note: Tighten the small screw located on the side of the shade center ring to ensure the shade does not accidentally rotate out of position causing the bulbs to contact the shade surface.)**
4. Attach finial (D) and turn clockwise to secure.
5. Insert bulbs(G) into both socket.
6. Remove red protective plug cover (F) from plug (E).
7. Plug into proper electrical outlet and test fixture.
8. Assembly is complete.

#### Care Instructions:

- Wipe with soft dry cloth only
- Always avoid the use of harsh chemicals or abrasives as they may damage the finish



Thank you for your purchase

Williams Sonoma, Inc. | Customer Service 1.877.812.6235 | [www.williams-sonoma.com](http://www.williams-sonoma.com)