



HAIR ON HIDE FLOOR MIRROR SERENGETI BEIGE
ASSEMBLY INSTRUCTIONS



Important Safety Instructions:

- Please read all instructions carefully before assembling this Hair On Hide Floor Mirror Serengeti Beige.
- For your safety, assembly by two or more adults is strongly recommended.
- Keep these instructions for future use.
- Use only vendor-supplied hardware to assemble this item. Using unauthorized hardware could jeopardize the structural integrity of the item.

Pre-assembly:

- Remove all parts and hardware from the box. Place all items on a carpeted or scratch-free work surface, as this will avoid damaging parts during assembly. The shipping box provides an ideal work surface.
- To avoid accidentally discarding small parts or hardware, do not dispose of any packaging or contents of the shipping carton until assembly is complete.
- Use the parts and hardware lists below to identify and separate each of the pieces included.
- The illustrations provided allow for easier assembly when used in conjunction with the assembly instructions.
- The use of power tools to aid in assembly is not recommended. Power tools can damage the hardware and split the wood.

Parts Included:

(A) Mirror frame

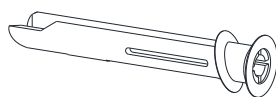


Hardware Included:

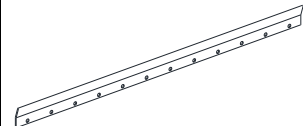
(B) ITW Toggle screw – 8x



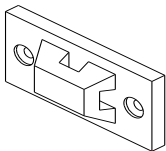
(C) ITW Toggle - 8x



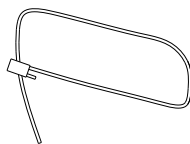
(D) Hanging Bracket -1x
(30" x 1.46" x 0.08")



(E) Brackets-1x



(F) Strap -1x

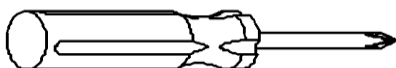


(G) Screw M4 x 40 -2x



Tool Required (not included):

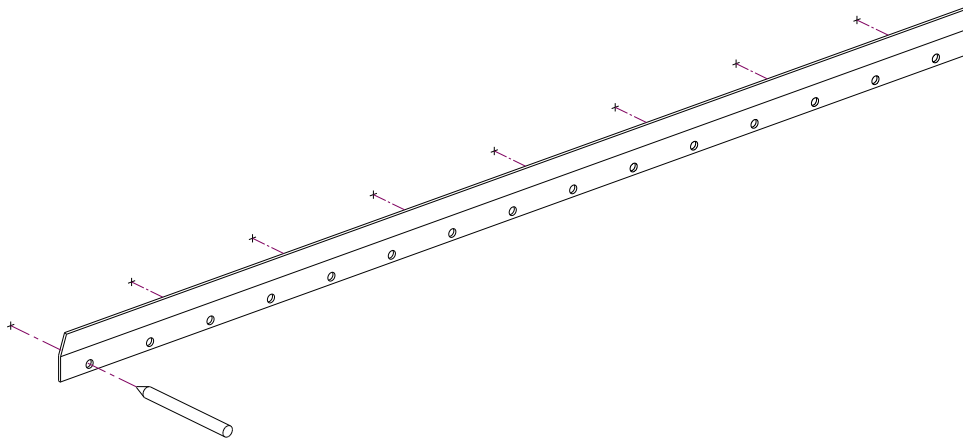
(H) Phillips Head Screw Driver



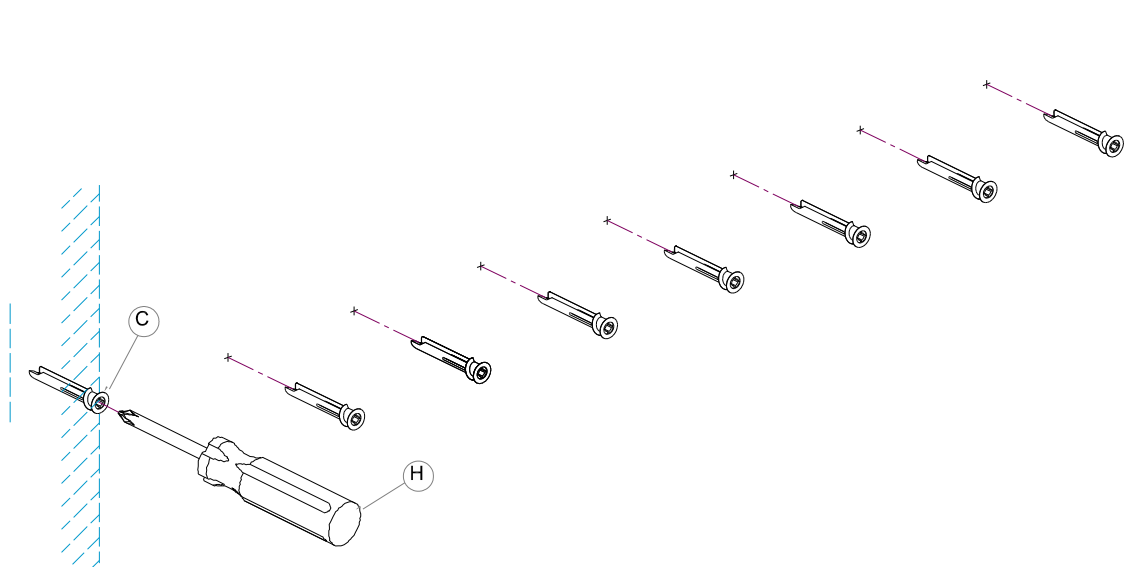
Assembly Instruction Steps:

Attention: For safe mounting of the mirror, it is important to use the proper hardware for your wall type. The hardware included here is meant for dry wall mounting only. If your walls are made from concrete, brick or plaster, please consult your local hardware store for assistance in selecting the appropriate hardware.

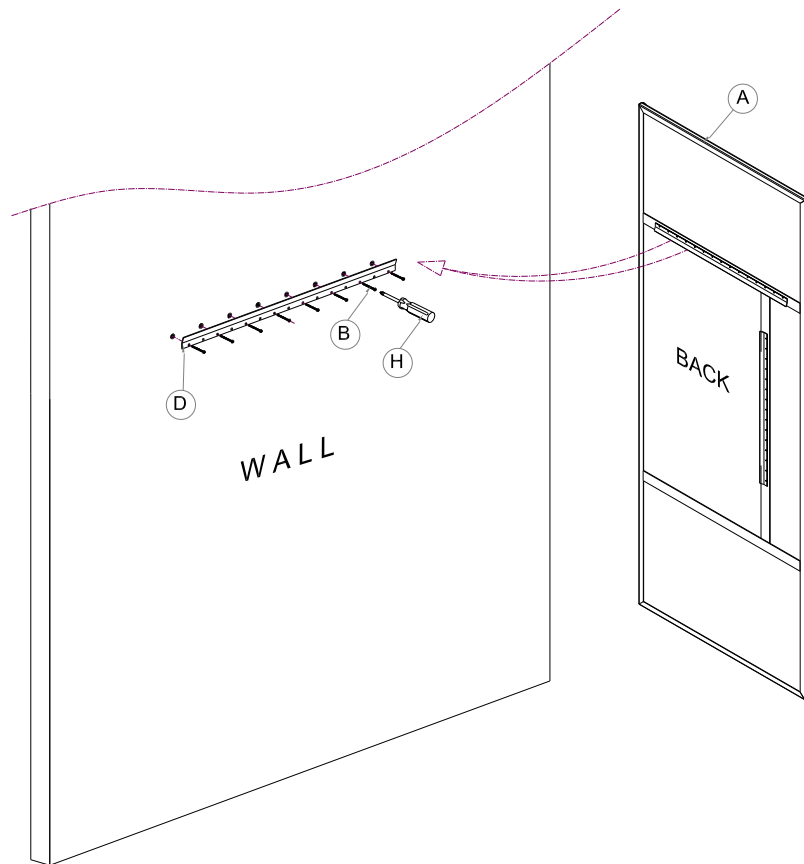
1. Determine the desired location of the mirror. Hold the Hanging Bracket (D) against the wall. Make sure that it is perfectly leveled. Use a level gauge if necessary making sure a flat and stable assembly.
2. Use a pencil to mark the wall through the Hanging Bracket holes as seen in the illustration below. These marks are the insertion points of the mounting hardware.



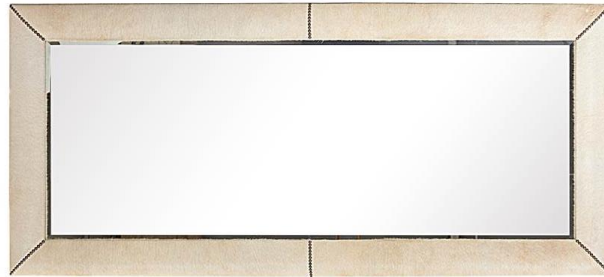
3. To ensure proper installation of the toggles, align the pointed end of the ITW Toggle (C) against the marks from previous step. Use Philips Head Screwdriver to rotate the ITW Toggle (C) clockwise as you push it lightly to the wall. The ITW Toggle (C) will self-drill and thread into the sheetrock as it is rotated. Continue rotating until the flange of the ITW Toggle (C) meets flush with the wall surface. Repeat this step for the rest of the ITW Toggle (C).



4. Position the Hanging Bracket (D) against the wall and make sure that the holes are aligned with the installed ITW Toggles (C). Insert the Toggle Screws (B) using the Philips Head Screw Driver through the holes of the Hanging Bracket (D) by rotating clockwise to tighten. Continue until the 6 installed ITW Toggles are filled. Be patient, this will require several turns. Once screws are tight then Hanging Bracket (D) installation is complete



5. Hang the mirror frame (A) by aligning the metal plate found at the back to the installed Hanging Bracket (D) on the wall either vertically or horizontally.



6. MOUNTING THE WALL-SIDE BRACKET:

Position the wall-side bracket along the selected stud mark so that it will be adjacent the furniture-side bracket when the furniture item is moved to its final position. The wall-side bracket should be about ONE inch lower than the furniture-side bracket (See Figure 2). Use the TWO Long screws to secure the wall-side bracket to the wall. Remember to position the wall-side bracket vertically so that both screws will engage the selected wall stud (See Figure 1).

7. ATTACHING THE STRAP:

When both brackets are securely attached, move the furniture to its final desired position and thread the strap through the openings of each bracket and also through the ratcheting "buckle". Tighten the strap until several "clicks" are heard. The furniture item is now securely tethered to the wall. Note: If you must move the furniture item, you can release the strap by depressing the lever arm located at its buckle and simultaneously withdrawing the strap from the buckle. Make sure to reconnect the strap once the furniture item is returned to its previous position.

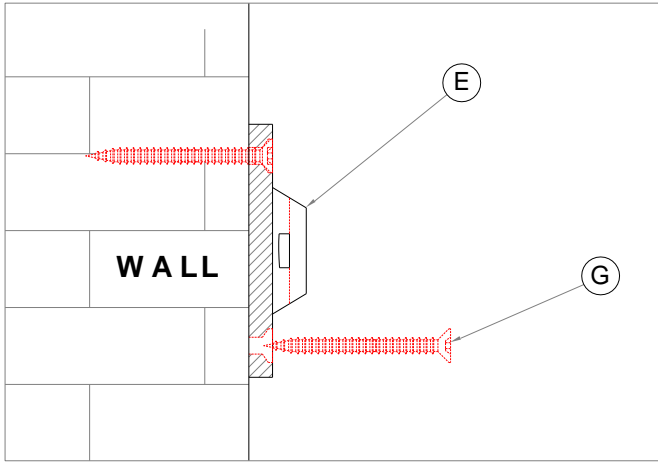


Figure 1

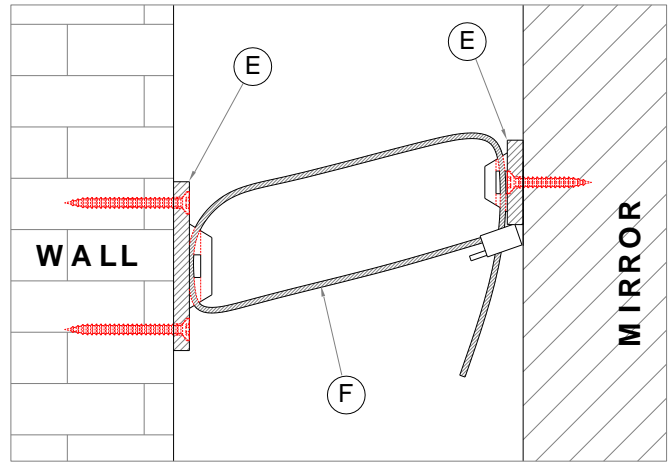


Figure 2

8. Assembly is complete

Customer Service 877.812.6235 www.williams-sonoma.com