

WILLIAMS-SONOMA

Bristol Chandelier 8 Light Assembly Instructions

Important Safety Instructions

- These instructions are provided for your safety. It is important that they are read carefully and completely before assembling fixture.
- This fixture has been rated for up to (8) 60-watt maximum TYPE B standard bulb (not included) or (8) 13-watt compact fluorescent light bulb (Not included). To avoid the risk of fire, do not exceed the recommended wattage.

Warning

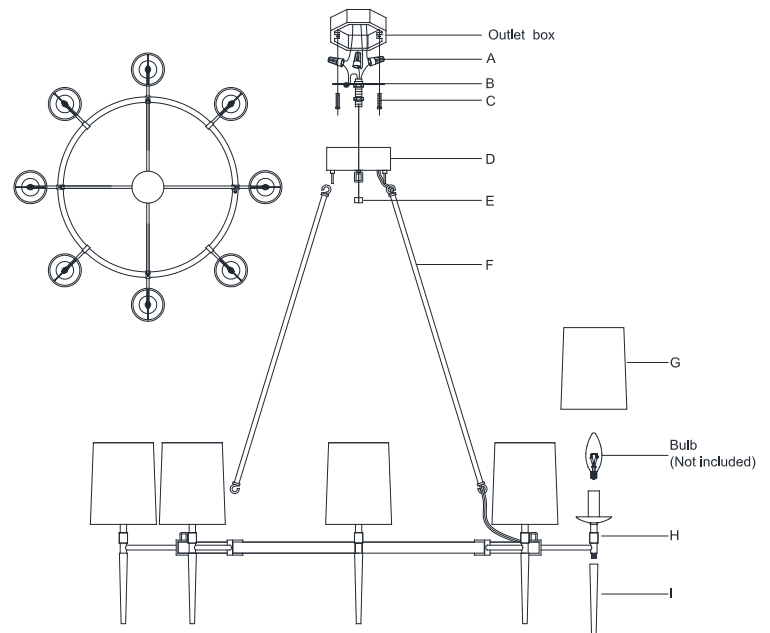
- To reduce the risk of fire, electrical shock, or personal injury, always turn off and unplug lamp and allow it to cool prior to replacing light bulb.
- Do not touch bulb when fixture is turned on. Do not look directly at lit bulb.
- Keep flammable materials away from lit bulb.
- All wires are connected at the factory. Please be careful when unpacking the lamp so that wires do not get damaged.
- This lighting fixture contains lead, a chemical known to the State of California to cause cancer, birth defects and other reproductive harm. Wash hands after installing, handling, cleaning or otherwise touching this light fixture.

Pre-assembly

- Remove all parts and hardware from box along with any plastic protective packaging.
- Do not discard any contents until after assembly is complete to avoid accidentally discarding small parts or hardware.

Parts Included

- (1) Wire nut(A)
- (2) Crossbar(B)
- (3) Mounting screws(C)
- (4) Canopy(D)
- (5) Finial(E)
- (6) Pole(F)
- (7) Shade(G)
- (8) Fixture body (H)
- (9) Decorative bar(I)



To Assemble

1. Get the crossbar (B) out of canopy (D) by loosening the finial (E).
2. Install the crossbar (B) to outlet box by using mounting screws (C) provided.
3. Put the canopy (D) to crossbar (B), and secure with finial (E).
4. Put the fixture body (H) onto canopy (D) by using pole (F) provided.
5. Measure the wires and cut. Be certain to leave enough to connect inside of the canopy.
6. Twist the power supply and ground wires together and push through the hole on the canopy.
7. Loosen the finial (E), let the canopy (D) slip down.
8. Connect the Ground (bare) fixture wire with the ground (usually bare) wire from your ceiling box using wire nut (A). If you house does not have ground wire, then attach this wire to the green grounding screw inside of outlet box.

IT IS IMPERATIVE THAT THIS FIXTURE BE GROUNDED.

9. Connect the Neutral (ribbed edge, no markings, or white) fixture wire with the Neutral (usually white) wire from your ceiling box using wire nut (A).

10. Connect the Hot (smooth edge, markings, or black) fixture wire with the Hot (usually black) wire from your outlet box using wire nut (A).

DO NOT REVERSE THE HOT AND NEUTRAL CONNECTIONS OTHERWISE SAFETY WILL BE COMPROMISED.

11. Tuck these wire connections neatly into the outlet box.
12. Put canopy (D) to crossbar (B), and secure with finial (E).
13. Screw the decorative bar (I) onto fixture body (H).
14. Insert bulbs (8) 60-watt maximum TYPE B standard bulb (not included) or (8) 13-watt compact fluorescent light bulb into the sockets.
15. Put the shade (G) onto the bulb.
16. Installation is complete, turn on power at fuse or circuit breaker.

Care Instructions

- Wipe with soft dry cloth only
- Always avoid the use of harsh chemicals or abrasives as they may damage the finish

Thank you for your purchase
Williams Sonoma Home | Customer Service 1.888.922-4105 | www.williams-sonoma.com