

# Vienna Crystal Chandelier 52IN

## Assembly Instructions

### CAUTION:

- **BEFORE INSTALLING FIXTURE, MAKE SURE THE POWER TO THE CIRCUIT IS TURNED OFF AT THE MAIN FUSE BOX / CIRCUIT BREAKER UTILITY BOX.**
- **Do not install into a ceiling that contains radiant heating.**

### Important Safety Instructions:

- These instructions are provided for your safety. It is very important that they are read carefully and completely before beginning the assembly and installation of this lighting fixture.
- We strongly recommend that a professional electrician install all direct wire fixtures
- THIS PRODUCT MUST BE INSTALLED IN ACCORDANCE WITH THE APPLICABLE INSTALLATION CODES BY A PERSON FAMILIAR WITH THE CONSTRUCTION AND OPERATION OF THE PRODUCT AND THE HAZARDS INVOLVED.
- The ceiling Toggles Wings (T) and Toggle Bolts (S) are meant for drywall ceiling mounting only. If the ceiling is made from concrete, brick or plaster, please consult your local hardware store for assistance. Use proper hardware for your ceiling type.
- Due to the large size of this lighting fixture must be attached to the ceiling by the use of the 4 Toggle Bolts (S) (or other additional suitable ceiling mounting hardware, not included) which supports the Mounting Plate (A) along with the two J-box Mounting Screws (R).
- The installation is not to be made on a radiant-heating ceiling.
- The lighting fixture is meant for indoor use. It must be connected only to 3-wire, single-phase electrical supply systems (provided with Ground wire or equivalent protection system).
- For your safety, it is strongly recommended that two people install the lighting fixture.
- This fixture has been rated for up to ten (8) **60-Watt maximum TYPE B standard (candelabra) incandescent light bulbs** (not included) or ten (8) **13-Watt compact fluorescent light bulbs** (not included). To avoid the risk of fire, do not exceed the recommended lamp wattage.
- The lighting fixture is meant for indoor use. DRY LOCATIONS ONLY
- **Save these instructions.**

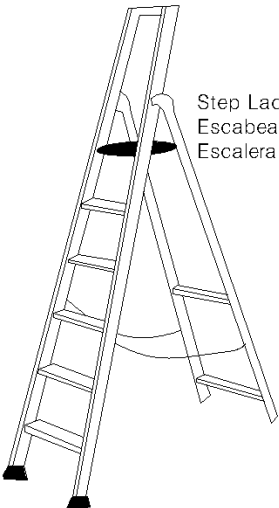
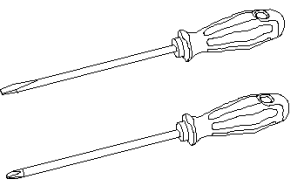
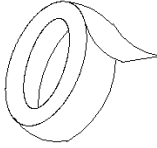
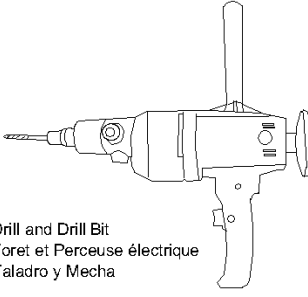
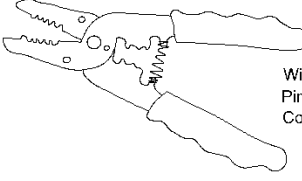
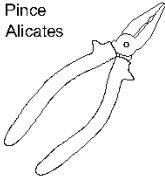
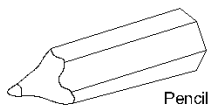
### WARNING:

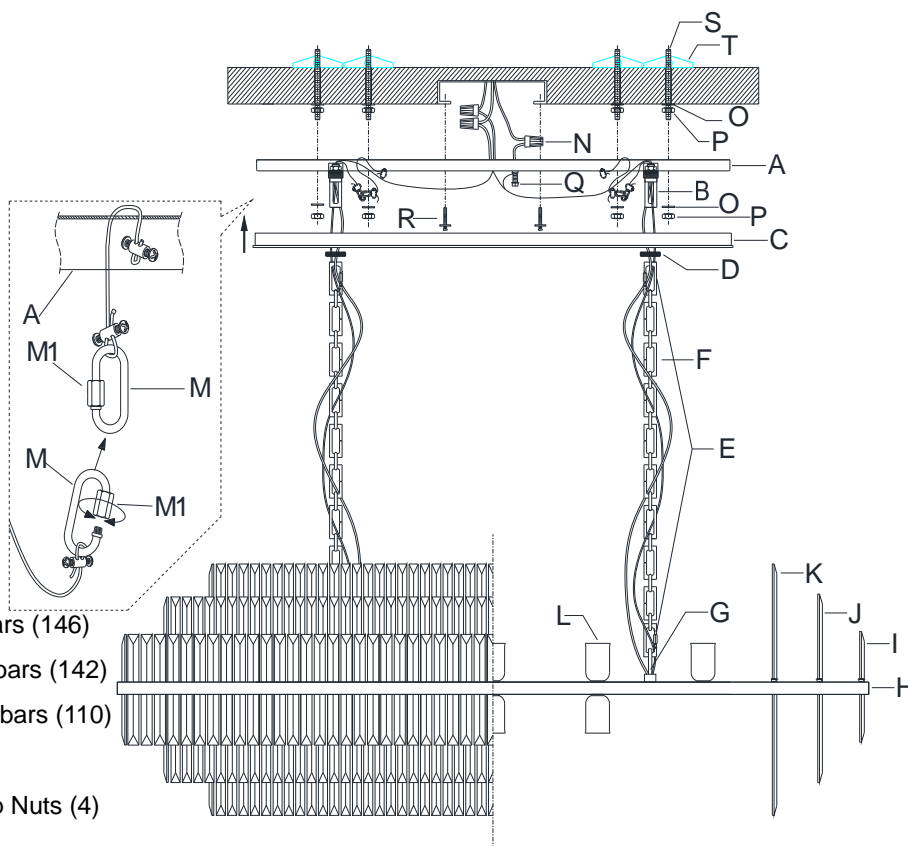
- **To reduce the risk of fire, electrical shock or personal injury, always turn off light fixture and allow it to cool prior to replacing light bulb.**
- **Do not touch bulb when fixture is turned on. Do not look directly at lit bulb.**
- **Keep flammable materials away from lit bulb.**
- **This lighting fixture contains lead, a chemical known to the State of California to cause cancer, birth defects and other reproductive harm. Wash hands after installing, handling, cleaning or otherwise touching this light fixture.**

### Pre-assembly:

- Remove all parts and hardware from box along with any plastic protective packaging.
- Do not discard any contents until after assembly is complete to avoid accidentally discarding small parts or hardware.
- For your safety and convenience, assembly by two people is recommended

**TOOLS REQUIRED (not included):**







 <p>Step Ladder Escabeau Escalera</p>	 <p>Phillips Head, Flat Blade Screwdrivers Tournevis à tête Phillips et à tête plate Destornilladores Cabeza Phillips y Destornilladores Cabeza Plana</p>	 <p>Electrical tape Ruban isolant Cinta Electrica.</p>	 <p>Drill and Drill Bit Foret et Perceuse électrique Taladro y Mecha</p>
	 <p>Wire Cutter/Stripper Pince coupe-fil/ à dénudé Cortador de Cable</p>	 <p>Plier Pince Alicates</p>	 <p>Pencil Crayon Lápiz</p>



- (F) Chains (2)
- (G) Hanging Loops (2)
- (H) Light Fixture (2)
- (I) 170mm (6 3/4") Long Crystal bars (146)
- (J) 285mm (11 1/4") Long Crystal bars (142)
- (K) 386mm (15 1/4") Long Crystal bars (110)
- (L) Sockets (8)
- (M& M1) Closable Links with Cap Nuts (4)

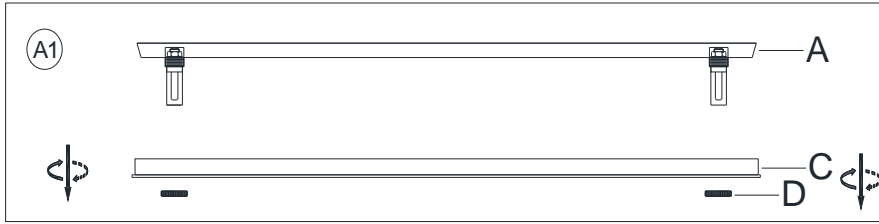
**Hardware Enclosed:**

- (N) Plastic Wire Nut Connectors (3)
- (O) Toggle Flat Washers (8)
- (P) Toggle Nuts (8)
- (Q) Green Ground Screw (1)
- (R) Mounting Screws (2)
- (S) Toggle Bolts (4)
- (T) Toggle Wings (4)

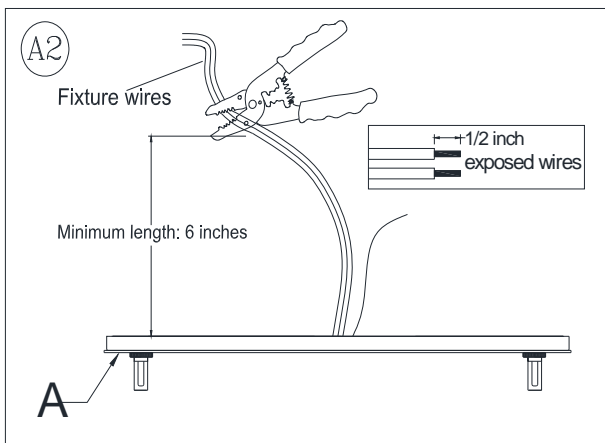
 <p>S T</p> <p>4x</p>	 <p>N</p> <p>8x</p>	 <p>R</p> <p>2x</p>
 <p>O</p> <p>8x</p>	 <p>U</p> <p>3x</p>	 <p>Q</p> <p>1x</p>

## Pre-assembly Instructions:

1. Separate the Mounting Plate (A) from the Canopy (C) by removing the Canopy Nuts (D) in a clockwise direction. Do not discard the Canopy Nuts (D) as these will be used later.

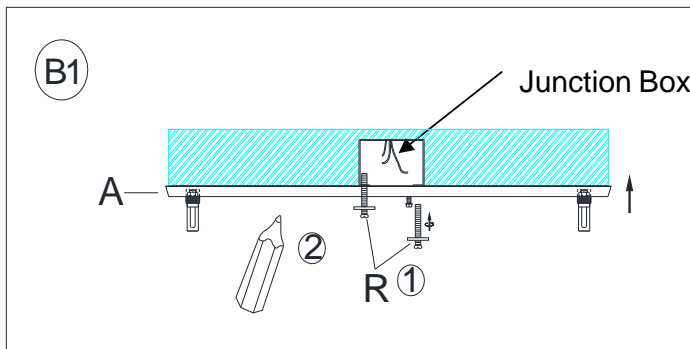


2. If needed, cut off the extra power cord length of the 2 wire cords and bare ground wire so that they all are at least 6 inches (152.4mm) long within the outlet junction box (J-box)

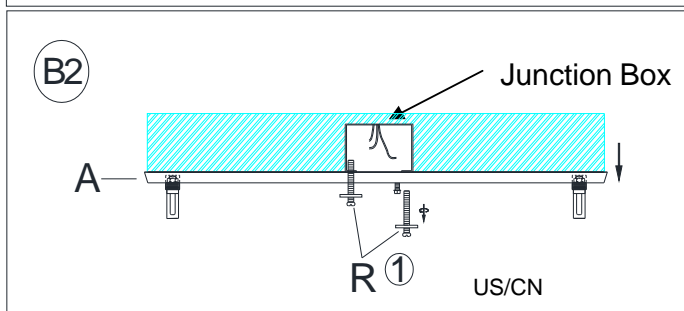


## Assembly & Installation Instructions:

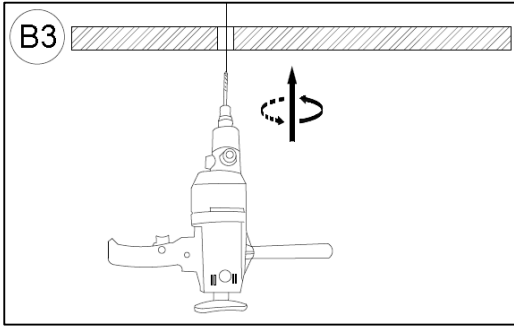
- **SHUT OFF THE MAIN ELECTRICAL SUPPLY FROM THE MAIN FUSE BOX/CIRCUIT BREAKER.**
- Carefully unpack all fixture parts and hardware and lay them on a clear workspace.
- If the parts are not already preassembled or if suspension length adjustments were not made, please use the instruction section above "To Adjust the Suspension Length of the Fixture" for the proper assembly of the Tubes (L&M) to the desired suspension length.



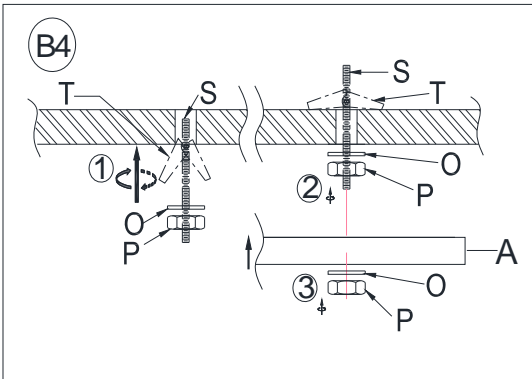
1. Determine the desired location of the light fixture and temporarily install the Mounting Plate (A) to the ceiling J-box using the 2 J-box Mounting Screws (R), insert and tighten each screw until the Mounting Plate (A) is firmly secured to the J-Box. Mark the 4 slot locations of the Mounting Plate (A) on the ceiling using a pencil.



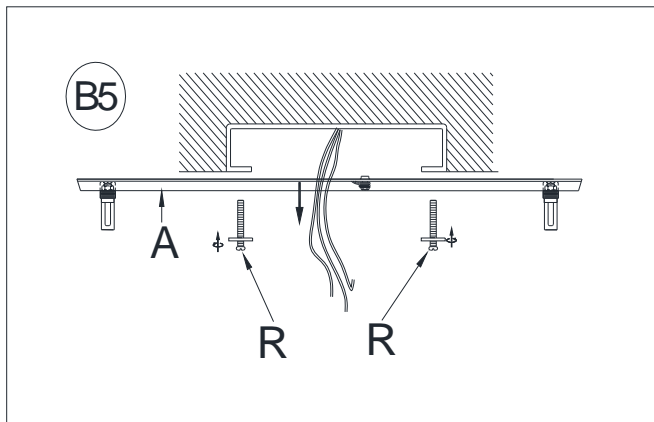
2. Un-install the Mounting Plate (A) from the marked ceiling outlet box location by loosening and removing the 2 J-box Mounting Screws (R) with a screwdriver.



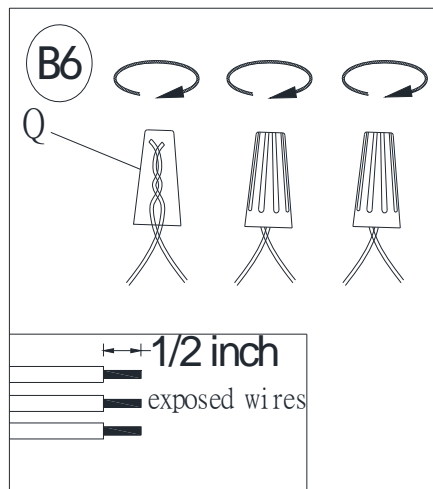
3. Using the drill with the appropriate size drill bit (just large enough to make hole that will allow passage of the folded Toggle Wings (T) of the Toggle Bolts (S)), drill 1 hole in the ceiling at each of the 4 marked slot locations for the Toggle Bolts (S) and Toggle Wings (T) assemblies.



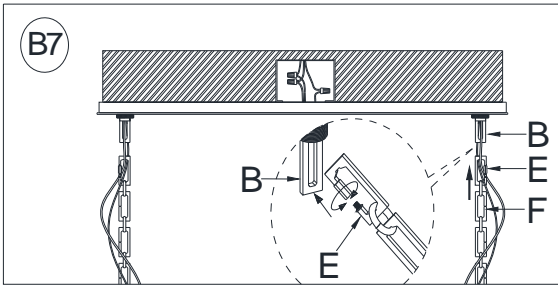
4. Insert the assembled Toggle Bolts (S) with the Toggle Flat Washers (O) and Toggle Nuts (P) into each of the 4 ceiling holes, and make sure only the Toggle Wings (T) on Toggle Bolts (S) are fully inserted and open as shown. Tighten the Toggle Nuts (P) on each installed Toggle Bolt (S) against Toggle Flat Washer (N) and ceiling. Secure the Mounting Plate (A) onto the ceiling by turning the remaining Toggle Flat Washers (O) and Toggle Nuts (P) until tight.



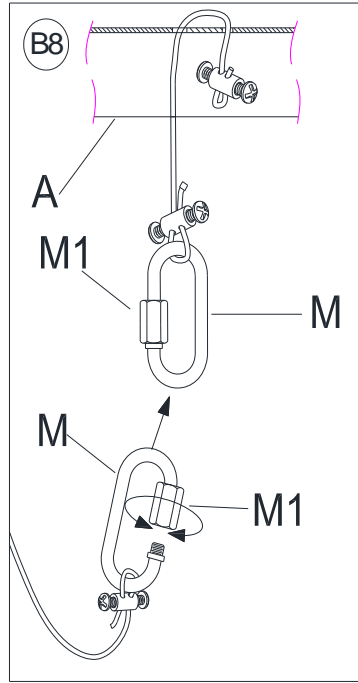
5. Attach the Mounting Plate (A) onto the junction box using 2 Mounting Screws (R).



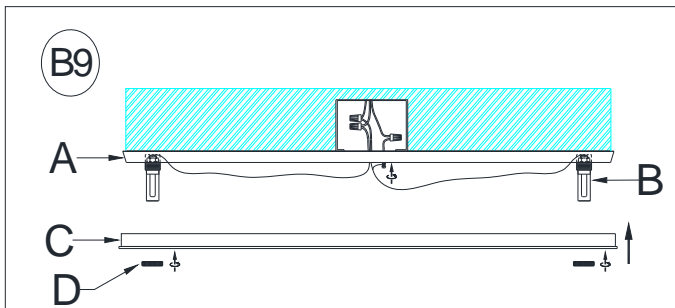
6. Please read the section "To Make the Wire Connections" Below.



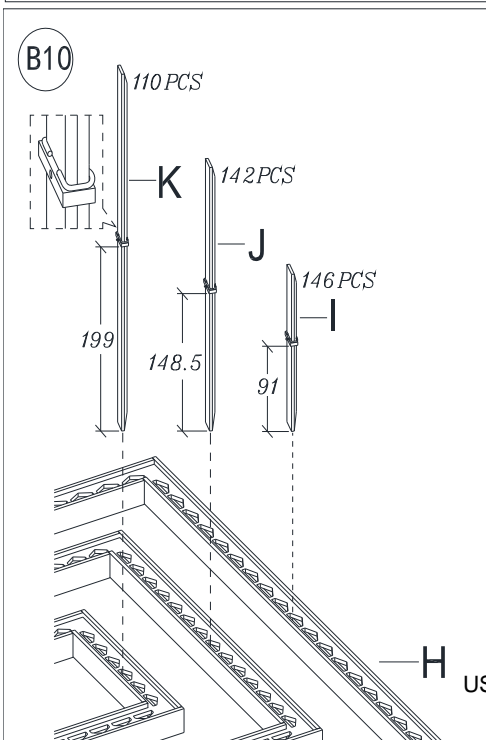
7. Attach the Closable Links (E) on Chain (F) to Mounting Loop (B) and Hanging Loop (G) and secure by tightening the cap nuts on Closable Links (E)



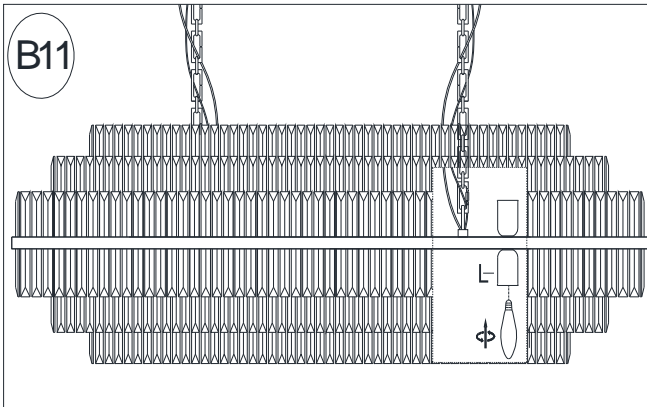
8. With the help of another person to hold the weight of the lighting fixture, unscrew the Closable Link Screw Cap (M1) from the Closable Link (M), attach each Closable Link (M) from the Mounting Plates (A) onto each Closable Link (M) from the Canopy (C). Tighten each Closable Link Screw Cap (M1) as shown in diagram. Now the lighting fixture is supported by the steel wires.



9. Attach the Canopy (C) onto the Mounting Plate (A), then secure the Canopy (C) by turning the Canopy Nuts (D) in a counter-clockwise direction.



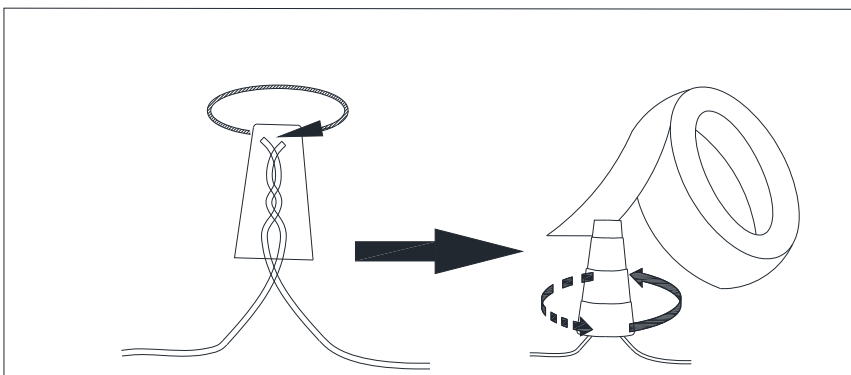
10. Insert the Crystal bars (I) \ (J) \ (K) into the corresponding holes. Make sure the sides with dimension are facing downwards.



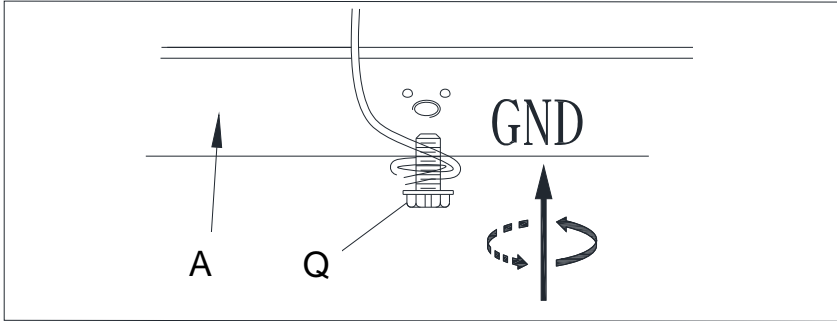
11. Insert the specified light bulbs into the Socket (L). DO NOT EXCEED THE SPECIFIED WATTAGE.

### To Make the Wire Connections:

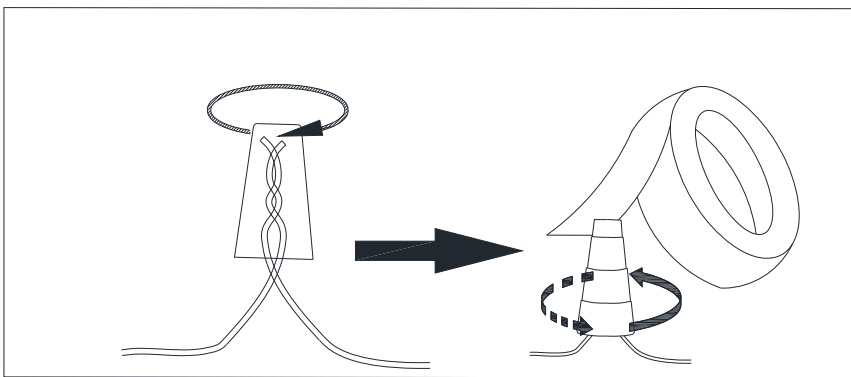
1. Gently pull the wiring from the ceiling junction box and allow wires to hang. The HOT or LIVE wire is usually black. The NEUTRAL wire is usually white. Check to see if there is a ground wire that is usually green or green with a yellow stripe or exposed copper metal wire. If needed, use a pair of wire strippers to remove about 1/2 inch of insulation from each wire.
2. Carefully inspect the fixtures wires. The NEUTRAL FIXTURE WIRE has FINE LONGITUDINAL RIDGES running along its length. The HOT FIXTURE WIRE is SMOOTH and the BARE COPPER WIRE is the GROUND WIRE. If you have any doubt and cannot identify the power-supply wires with confidence, then we recommend that you ask an electrician and that you not continue with the installation.
3. With the help of another person to hold the weight of the fixture, attach the fixture wires to the junction box wires as shown in the illustrations.



Connect the GROUND FIXTURE WIRE to the GROUND J-BOX WIRE using the Plastic Wire Nut Connector (N) and wrap the connection with electrical tape. Be sure that no wire strands are exposed.



If the junction box DOES NOT have a GROUND WIRE, wrap the fixture's bare ground wire around the Green Ground Screw (Q) and insert the screw into the Mounting Plate (A), marked as "GND", and tighten screw to secure the wire.



Connect the NEUTRAL FIXTURE WIRE to the NEUTRAL J-BOX WIRE first and then connect the HOT FIXTURE WIRE to the HOT J-BOX WIRE using the Plastic Wire Nut Connectors (P). Wrap these connections with electrical tape. Be sure that no wire strands are exposed.

**NOTE:**

**IT IS IMPERATIVE THAT THE JUNCTION BOX IN YOUR HOME BE PROPERLY GROUNDED!**

**DO NOT REVERSE THE HOT AND NEUTRAL CONNECTIONS OR SAFETY WILL BE COMPROMISED.**

4. Check the wiring connections and if all looks good, gently tuck the wire connections neatly into the ceiling junction box.

**Care instructions:**

- Wipe clean with a soft, dry cloth or static duster.
- Always avoid the use of harsh chemicals or abrasive cleaners as they may cause damage to the fixture's finish.