



## Rowan Chandelier

### Assembly Instructions

#### CAUTION:

- **BEFORE INSTALLING FIXTURE, MAKE SURE THE POWER TO THE CIRCUIT IS TURNED OFF AT THE MAIN FUSE BOX / CIRCUIT BREAKER UTILITY BOX.**
- **Do not install into a ceiling that contains radiant heating.**

#### Important Safety Instructions:

- These instructions are provided for your safety. It is very important that they are read carefully and completely before beginning the assembly and installation of this lighting fixture.
- We strongly recommend that a professional electrician install all direct wire fixtures
- **THIS PRODUCT MUST BE INSTALLED IN ACCORDANCE WITH THE APPLICABLE INSTALLATION CODES BY A PERSON FAMILIAR WITH THE CONSTRUCTION AND OPERATION OF THE PRODUCT AND THE HAZARDS INVOLVED.**
- The ceiling Toggles Wings (T) and Toggle Bolts (S) are meant for drywall ceiling mounting only. If the ceiling is made from concrete, brick or plaster, please consult your local hardware store for assistance. Use proper hardware for your ceiling type.
- Due to the large size of this lighting fixture must be attached to the ceiling by the use of the 4 Toggle Bolts (S) (or other additional suitable ceiling mounting hardware, not included) which supports the Mounting Plate (A) along with the two J-box Mounting Screws (R).
- The installation is not to be made on a radiant-heating ceiling.
- The lighting fixture is meant for indoor use. It must be connected only to 3-wire, single-phase electrical supply systems (provided with Ground wire or equivalent protection system).
- For your safety, it is strongly recommended that two people install the lighting fixture.
- This fixture has been rated for up to sixteen (16) **40-Watt maximum TYPE B standard (candelabra)incandescent light bulbs** (not included) or sixteen (16) **9-Watt compact fluorescent light bulbs** (not included).To avoid the risk of fire, do not exceed the recommended lamp wattage.
- The lighting fixture is meant for indoor use. **DRY LOCATIONS ONLY**
- **Save these instructions.**

#### WARNING:

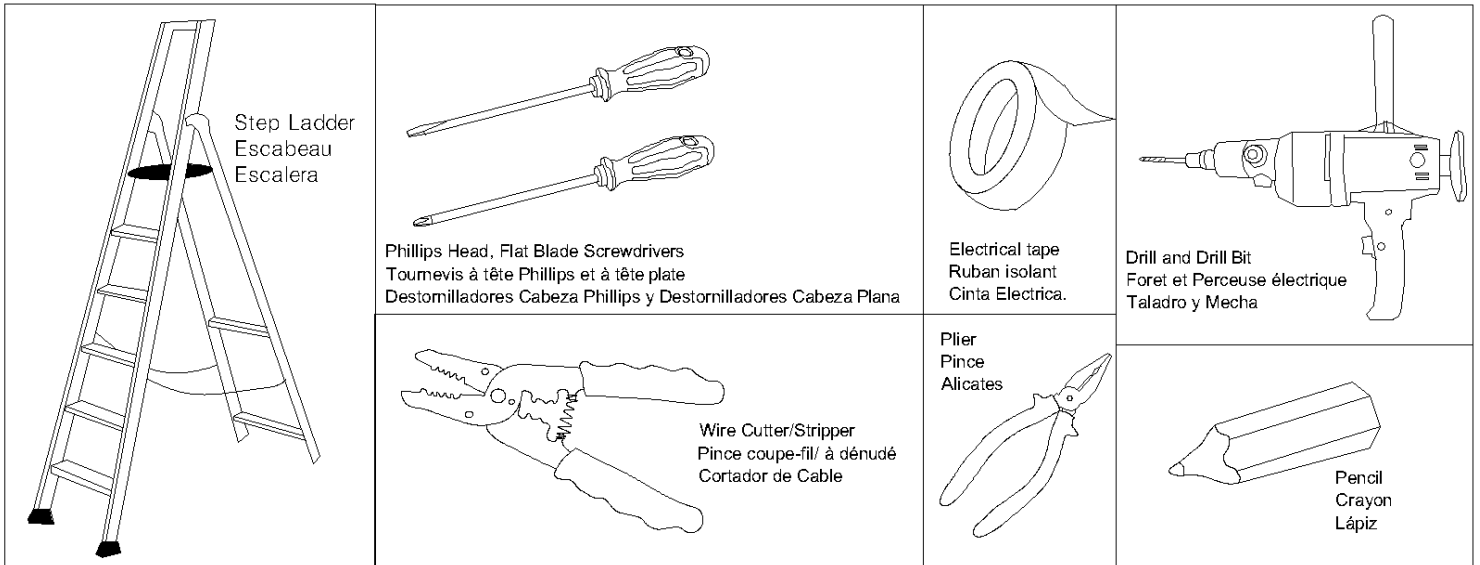
- **To reduce the risk of fire, electrical shock or personal injury, always turn off light fixture and allow it to cool prior to replacing light bulb.**
- **Do not touch bulb when fixture is turned on. Do not look directly at lit bulb.**
- **Keep flammable materials away from lit bulb.**
- **This lighting fixture contains lead, a chemical known to the State of California to cause cancer, birth defects and other reproductive harm. Wash hands after installing, handling, cleaning or otherwise touching this light fixture.**

#### Pre-assembly:

- Remove all parts and hardware from box along with any plastic protective packaging.

- Do not discard any contents until after assembly is complete to avoid accidentally discarding small parts or hardware.
- For your safety and convenience, assembly by two people is recommended

**TOOLS REQUIRED (not included):**

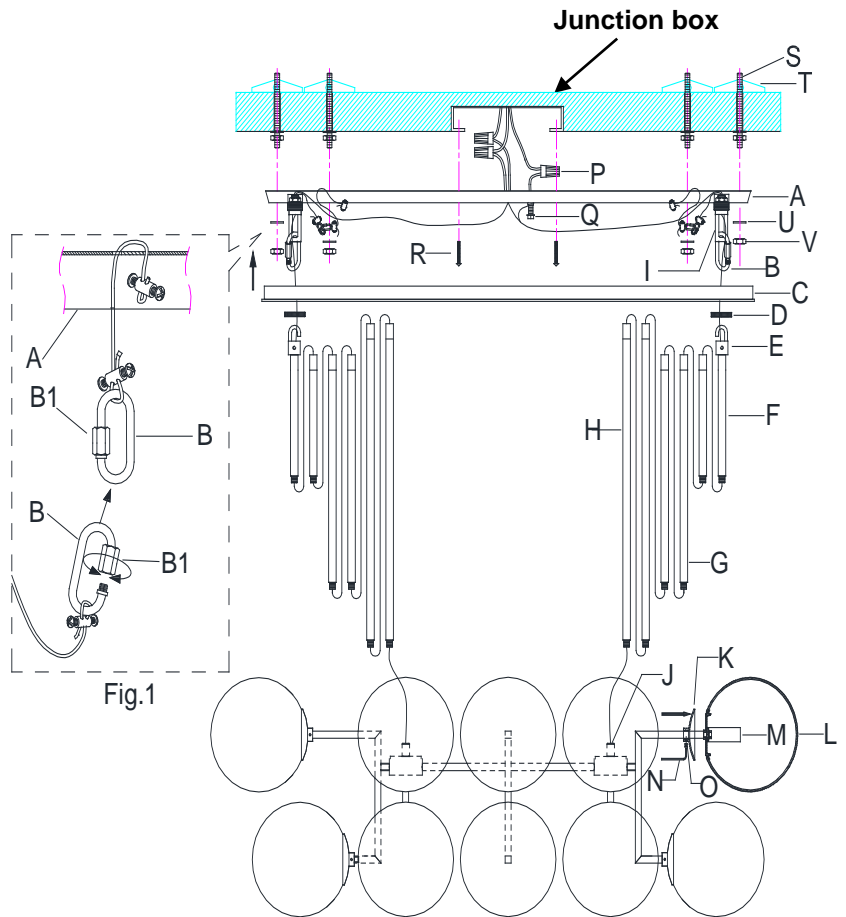








**Parts Included:**

- (A) Mounting Plate (1)
- (B& B1) Closable Link with Cap Nuts (2)
- (C) Canopy (1)
- (D) Canopy Nut (1)
- (E) Hanging Loops (2)
- (F) 6" Connection Poles (4)
- (G) 12" Connection Poles (4)
- (H) 18" Connection Pole (4)
- (I) Mounting Loops (2)
- (J) Threaded Joints (2)
- (K) Metal Covers (16)
- (L) Glass Shades (16)
- (M) Sockets (16)

**Hardware Enclosed:**

- (N) Allen Wrench (1)
- (O) Set Screws (10)
- (P) Plastic Wire Nut Connectors (3)
- (Q) Green Ground Screw (1)
- (R) Mounting Screws (2)
- (S) Toggle Bolts (4)
- (T) Toggle Wings (4)
- (U) Toggle Flat Washers (8)
- (V) Toggle Nuts (8)

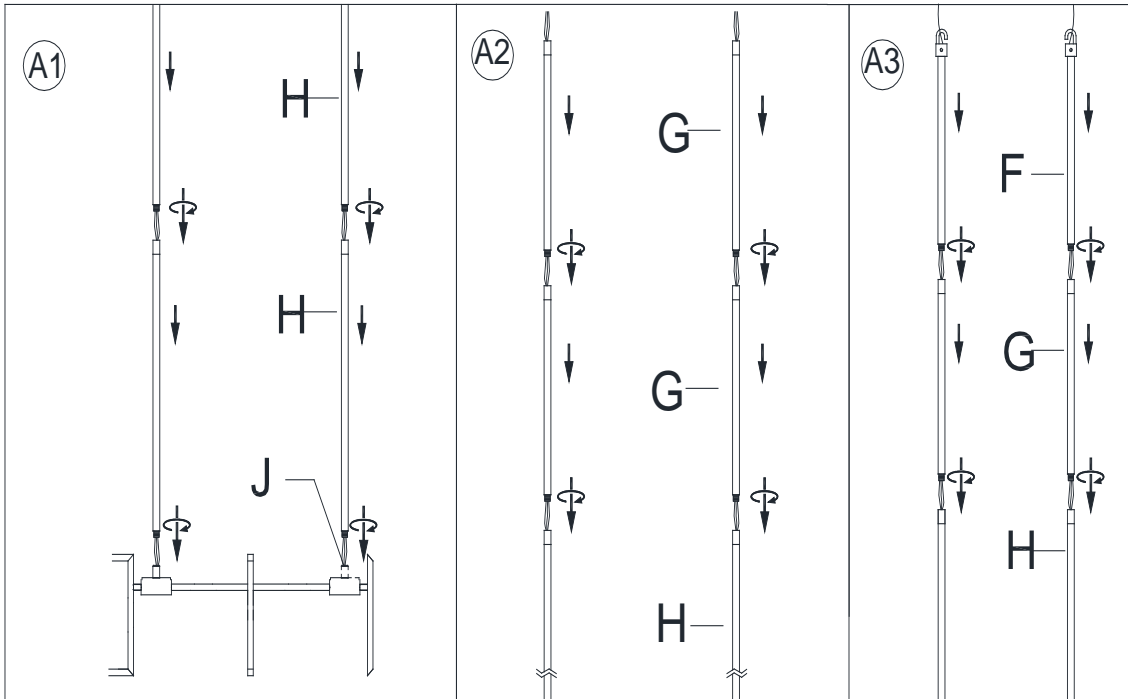


S T	V	R
		
4x	4x	2x
U	P	Q
		
4x	3x	1x

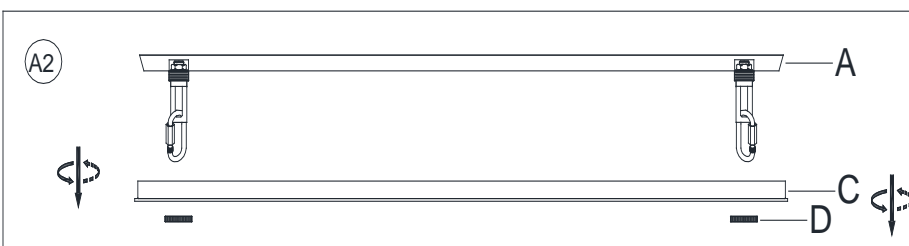
## To adjust the suspension length of the fixture:

Note: The adjustment or shortening of the lighting fixture's suspension length is only needed if the factory set length is not appropriate for your installation. We recommend that you adjust the proper desired length before cutting the electrical cord. Determine the lighting fixture suspension length from the ceiling for the product installation, allowing the extra cord length for the outlet junction box wire connections as noted below.

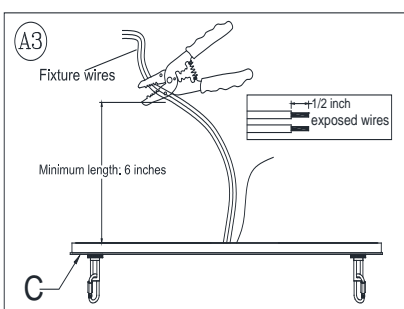
1. (See A1,A2 & A3) Thread the fixture 2 wire cord, bare copper wire and safety cable through the 18" Connection Pole (H), making sure the threaded nipple end of the 19" Connection Pole (H) is downwards. Attach the bottom end of the 18" Connection Pole (H) onto the Threaded Joint (J) by rotating clockwise until tight. Use the Additional Connection Poles (F/G/H) as needed, to adjust the fixture's suspension length by following the procedures as shown in illustration A2&A3.



2. Separate the Mounting Plate (A) from the Canopy (C) by unscrewing the Canopy Nuts (D) in a clockwise direction. Do not discard the Canopy Nuts (D) as these will be used later.

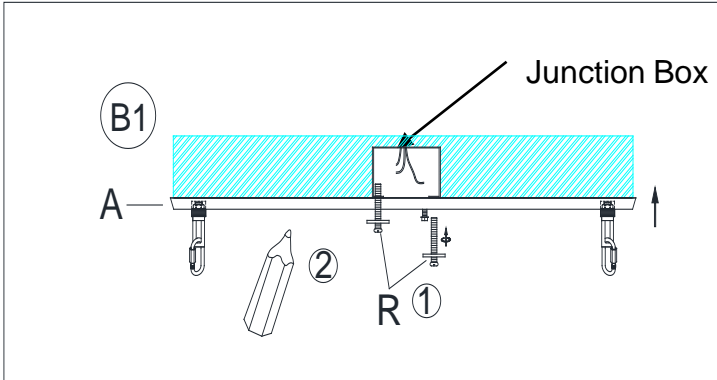


3. Thread the fixture's 2 wire power cord and bare copper ground wire through Canopy (C) and then Mounting Loop (I), if needed, cut off the extra power cord length of the 2 wire cords and bare ground wire so that they all are at least 6 inches (152.4mm) long within the outlet junction box (J-box)

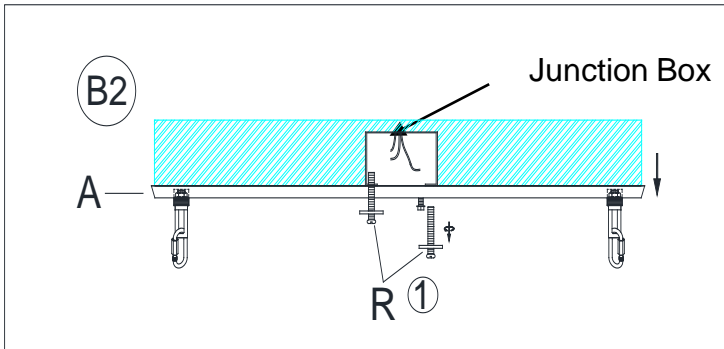


## Assembly & Installation Instructions:

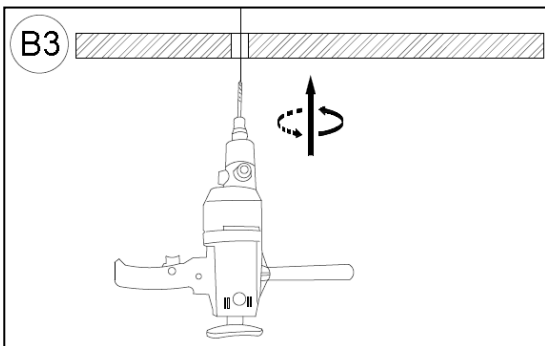
- **SHUT OFF THE MAIN ELECTRICAL SUPPLY FROM THE MAIN FUSE BOX/CIRCUIT BREAKER.**
- Carefully unpack all fixture parts and hardware and lay them on a clear workspace.
- If the parts are not already preassembled or if suspension length adjustments were not made, please use the instruction section above "To Adjust the Suspension Length of the Fixture" for the proper assembly of the Tubes (L&M) to the desired suspension length.



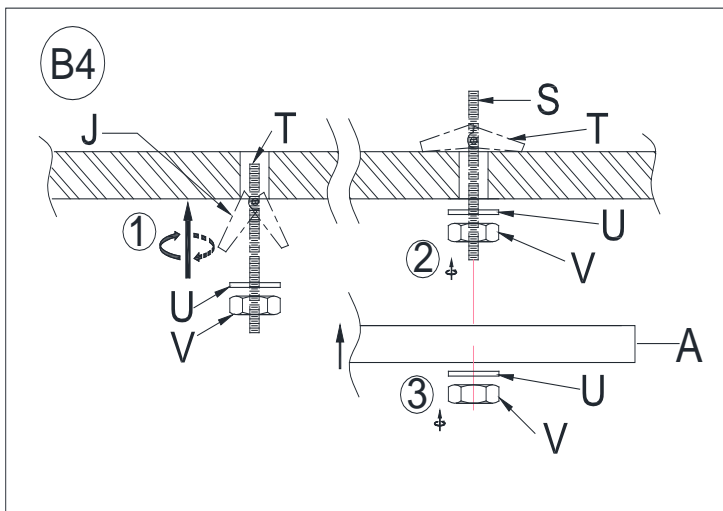
1. Determine the desired location of the light fixture and temporarily install the Mounting Plate (A) to the ceiling J-box using the 2 J-box Mounting Screws (R), insert and tighten each screw until the Mounting Plate (A) is firmly secured to the J-Box.
2. Mark the 4 slot locations of the Mounting Plate (A) on the ceiling using a pencil.



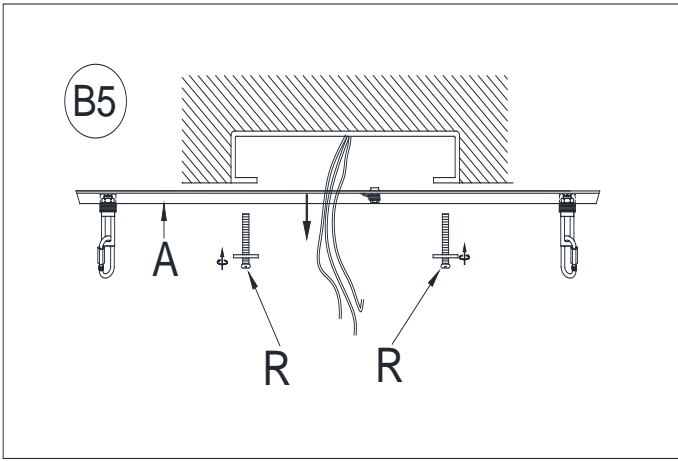
Un-install the Mounting Plate (A) from the marked ceiling outlet box location by loosening and removing the 2 J-box Mounting Screws (R) with a screwdriver.



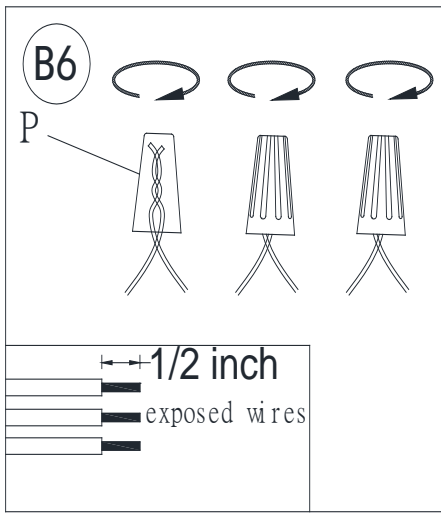
Using the drill with the appropriate size drill bit (just large enough to make hole that will allow passage of the folded Toggle Wings (T) of the Toggle Bolts (S)), drill 1 hole in the ceiling at each of the 4 marked slot locations for the Toggle Bolts (S) and Toggle Wings (T) assemblies.



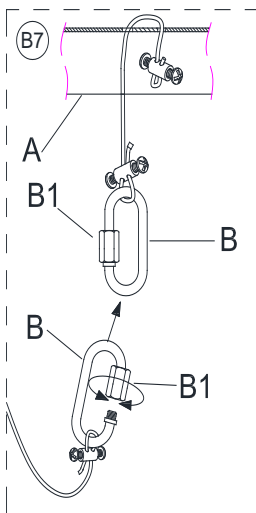
1. Insert the assembled Toggle Bolts (S) with the Toggle Flat Washers (U) and Toggle Nuts (V) into each of the 4 ceiling holes, and make sure only the Toggle Wings (T) on Toggle Bolts (S) are fully inserted and open as shown.
2. Tighten the Toggle Nuts (V) on each installed Toggle Bolt (S) against Toggle Flat Washer (U) and ceiling.
3. Secure the Mounting Plate (A) onto the ceiling by turning the remaining Toggle Flat Washers (U) and Toggle Nuts (V) until tight.



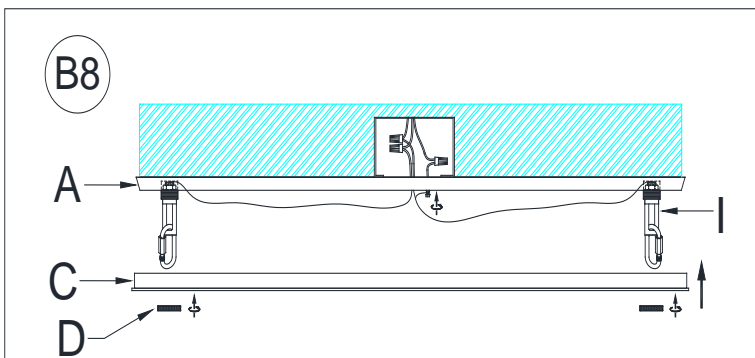
Attach the Mounting Plate (A) onto the junction box using 2 Mounting Screws (R).



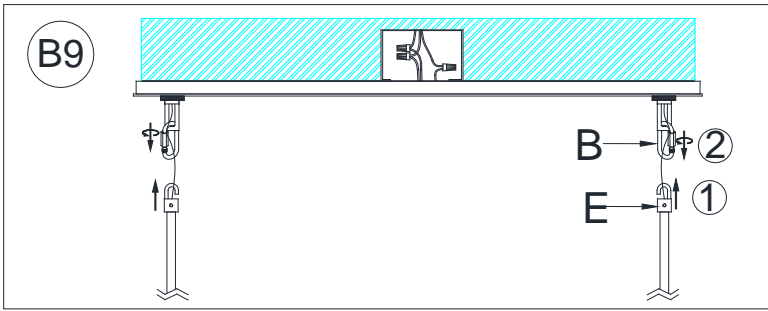
Please read the section "To Make the Wire Connections" Below.



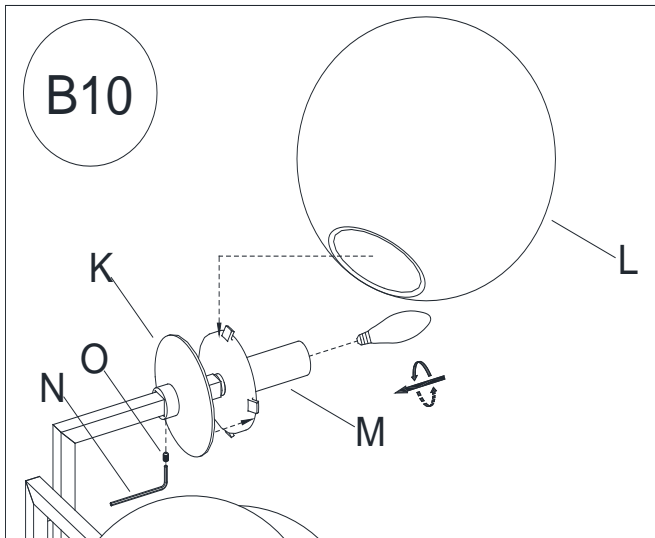
1. With the help of another person to hold the weight of the lighting fixture, unscrew the Closable Link Screw Cap (B1) from the Closable Link (B), attach each Closable Link (B) from the Mounting Plates (A) onto each Closable Link (B) from the Canopy (C). Tighten each Closable Link Screw Cap (B1) as shown in diagram. Now the lighting fixture is supported by the steel wires.



Attach the Canopy (C) onto the Mounting Plate (A), letting mounting Loop (B) pass through the holes on Canopy (C) and secure with Canopy Nut (D)



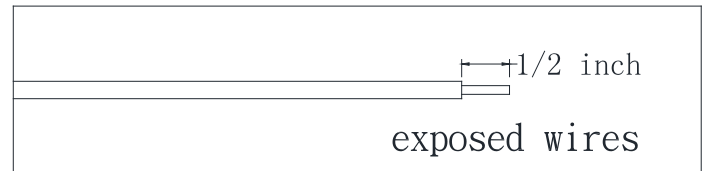
Unscrew the Closable Link (B), attach the Hanging Loop (E) onto the Closable Link (B) and secure by tightening the Closable Link Screws Cap (B1)

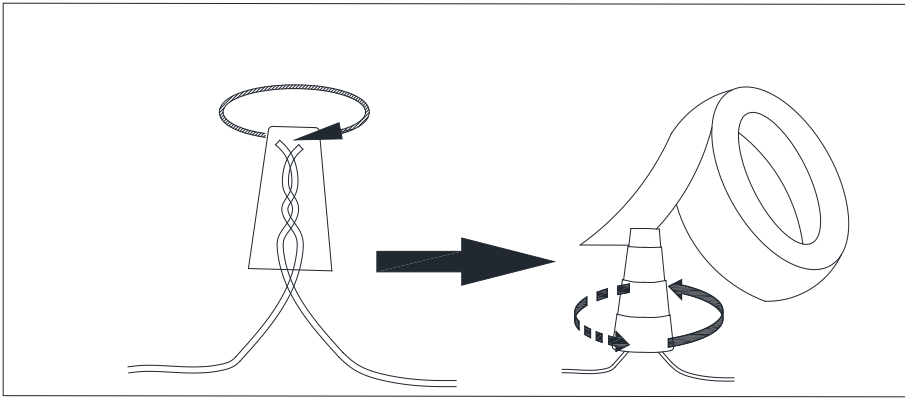


1. Insert the light bulbs into the Sockets (M). To avoid the risk of fire, do not exceed the recommended lamp wattage as outlined in page 1.
2. Loosen set screws (O) with Allen Wrench (N), attach Glass Shade (L) above the Socket (M) and slide the Metal Cover (K) to cover the Glass Shade (L) and secure by tightening Set Screws (O) with Allen Wrench (N).

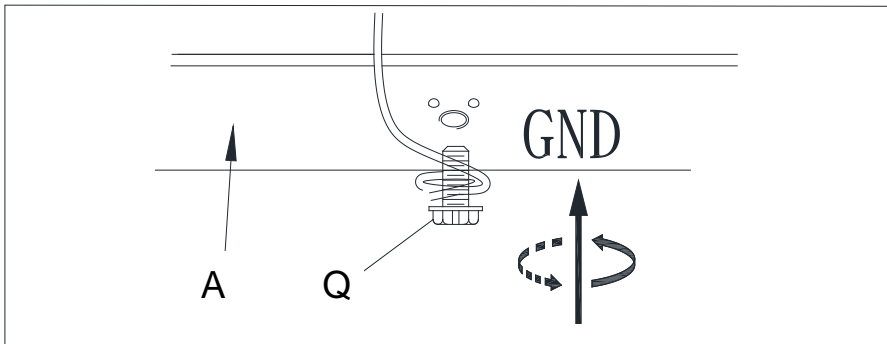
### To Make the Wire Connections:

1. Gently pull the wiring from the ceiling junction box and allow wires to hang. The HOT or LIVE wire is usually black. The NEUTRAL wire is usually white. Check to see if there is a ground wire that is usually green or green with a yellow stripe or exposed copper metal wire. If needed, use a pair of wire strippers to remove about 1/2 inch of insulation from each wire.
2. Carefully inspect the fixtures wires. The NEUTRAL FIXTURE WIRE has FINE LONGITUDINAL RIDGES running along its length. The HOT FIXTURE WIRE is SMOOTH and the BARE COPPER WIRE is the GROUND WIRE. If you have any doubt and cannot identify the power-supply wires with confidence, then we recommend that you ask an electrician and that you not continue with the installation.
3. With the help of another person to hold the weight of the fixture, attach the fixture wires to the junction box wires as shown in the illustrations.

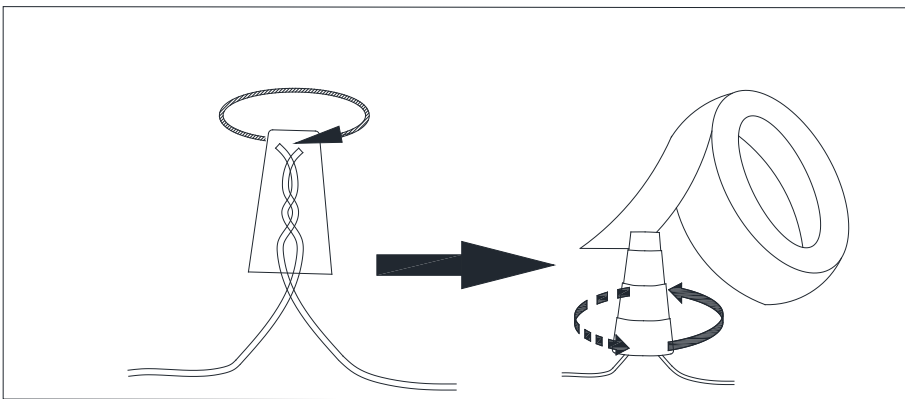




Connect the GROUND FIXTURE WIRE to the GROUND J-BOX WIRE using the Plastic Wire Nut Connector (P) and wrap the connection with electrical tape. Be sure that no wire strands are exposed.



If the junction box DOES NOT have a GROUND WIRE, wrap the fixture's bare ground wire around the Green Ground Screw (Q) and insert the screw into the Mounting Plate (A), marked as "GND", and tighten screw to secure the wire.



Connect the NEUTRAL FIXTURE WIRE to the NEUTRAL J-BOX WIRE first and then connect the HOT FIXTURE WIRE to the HOT J-BOX WIRE using the Plastic Wire Nut Connectors (P). Wrap these connections with electrical tape. Be sure that no wire strands are exposed.

**NOTE:**

**IT IS IMPERATIVE THAT THE JUNCTION BOX IN YOUR HOME BE PROPERLY GROUNDED!**

**DO NOT REVERSE THE HOT AND NEUTRAL CONNECTIONS OR SAFETY WILL BE COMPROMISED.**

4. Check the wiring connections and if all looks good, gently tuck the wire connections neatly into the ceiling junction box.

**Care instructions:**

- Wipe clean with a soft, dry cloth or static duster.
- Always avoid the use of harsh chemicals or abrasive cleaners as they may cause damage to the fixture's finish.

Thank you for your purchase  
 Stores | catalog | [www.williams-sonoma.com](http://www.williams-sonoma.com)  
 USA 1.877.812.6235