



48in Phoebe Crystal Chandelier Assembly Instructions

CAUTION:

- **BEFORE INSTALLING FIXTURE, MAKE SURE THE POWER TO THE CIRCUIT IS TURNED OFF AT THE MAIN FUSE BOX / CIRCUIT BREAKER UTILITY BOX.**
- **THIS LUMINAIRE MUST BE MOUNTED OR SUPPORTED INDEPENDENTLY OF AN OUTLET BOX.**

Important Safety Instructions:

- These instructions are provided for your safety. It is very important that they are read carefully and completely before beginning the assembly and installation of this lighting fixture.
- We strongly recommend that a professional electrician install all direct wire fixtures.
- THIS PRODUCT MUST BE INSTALLED IN ACCORDANCE WITH THE APPLICABLE INSTALLATION CODES BY A PERSON FAMILIAR WITH THE CONSTRUCTION AND OPERATION OF THE PRODUCT AND THE HAZARDS INVOLVED.
- The weight of this lighting fixture exceeds 50 pounds and must be installed using an outlet box approved for up to 100 pounds of lighting fixture load.
- The lighting fixture is meant for indoor use. It must be connected only to 3-wire, single-phase electrical supply systems (provided with Ground wire or equivalent protection system).
- For your safety, it is strongly recommended that two people install the lighting fixture.
- LED BULBS ARE NON-REPLACEABLE.
- The lighting fixture is meant for indoor use, DRY LOCATIONS ONLY.
- **Save these instructions.**

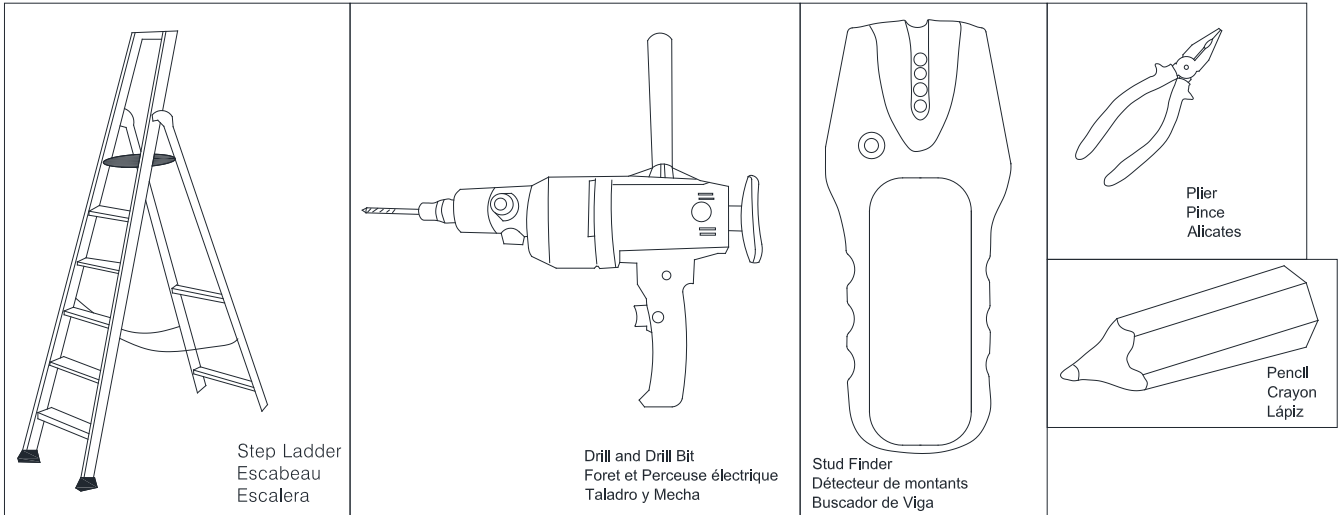
WARNING:

- **To reduce the risk of fire, electrical shock or personal injury, always turn off light fixture and allow it to cool prior to replacing light bulb.**
- **Do not touch bulb when fixture is turned on. Do not look directly at lit bulb.**
- **Keep flammable materials away from lit bulb.**
- **This lighting fixture contains lead, a chemical known to the State of California to cause cancer, birth defects and other reproductive harm. Wash hands after installing, handling, cleaning or otherwise touching this light fixture.**
-

Pre-assembly:

- Remove all parts and hardware from box along with any plastic protective packaging.
- Do not discard any contents until after assembly is complete to avoid accidentally discarding small parts or hardware.
- For your safety and convenience, assembly by two people is recommended.

TOOLS REQUIRED (not included):

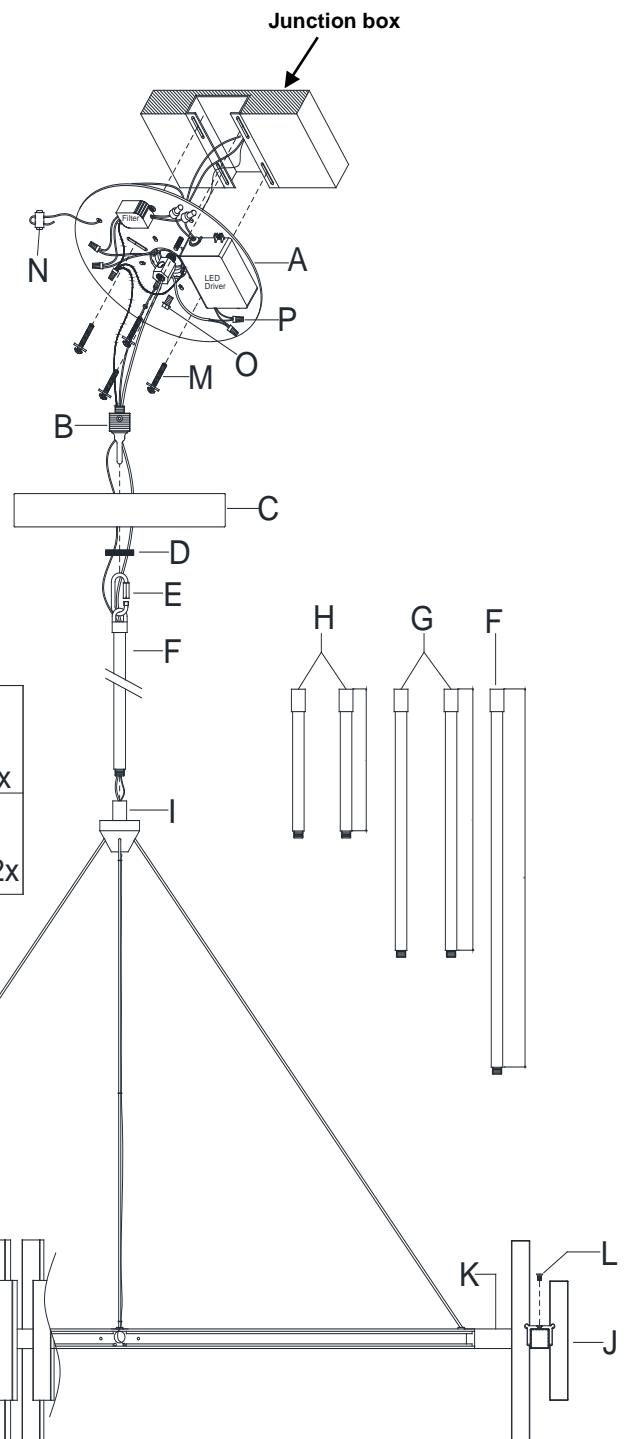
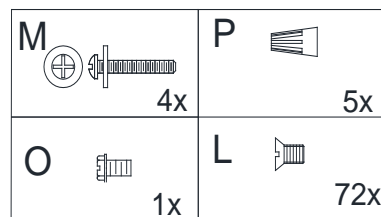


Parts Included:

- (A) Mounting Plate (1)
- (B) Mounting Loop (1)
- (C) Canopy (1)
- (D) Canopy Nut (1)
- (E) Hanging Loop (1)
- (F) 17-7/8" Connection Tubes (2)
- (G) 12" Connection Tubes (2)
- (H) 6" Connection Tubes (2)
- (I) Threaded Joint (1)
- (J) Brackets (72)
- (K) Light Fixture (1)

Hardware Enclosed:

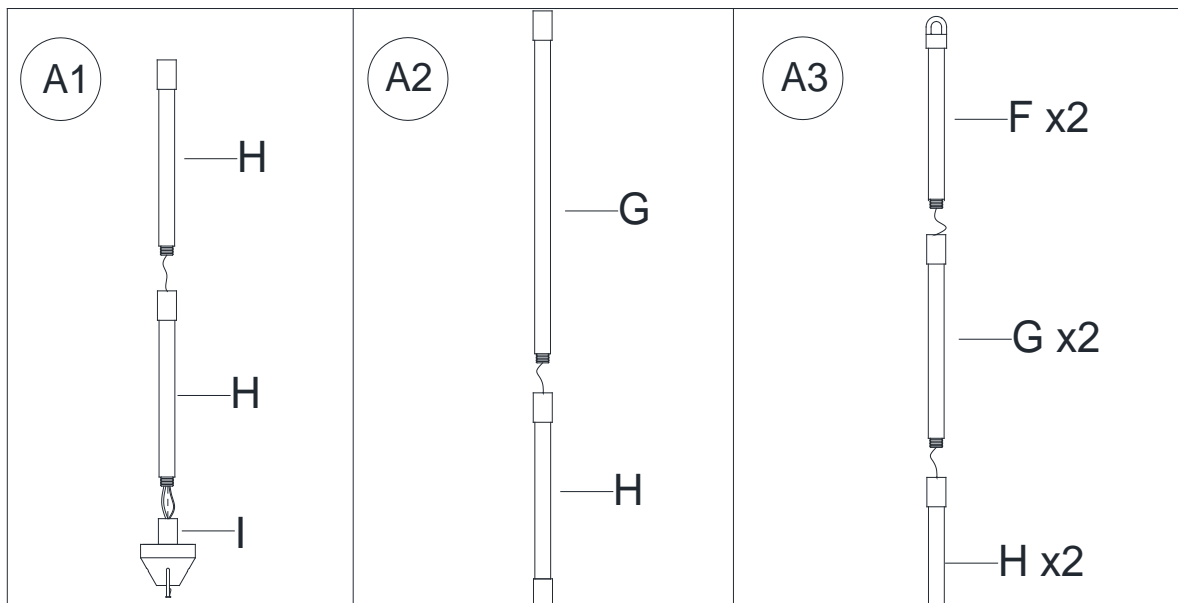
- (L) Set Screws (72)
- (M) Mounting Screws (4)
- (N) Lock Connector (1)
- (N1) Set Screws (2)
- (O) Green Ground Screw (1)
- (P) Plastic Wire Nut Connectors (5)



To adjust the suspension length of the fixture:

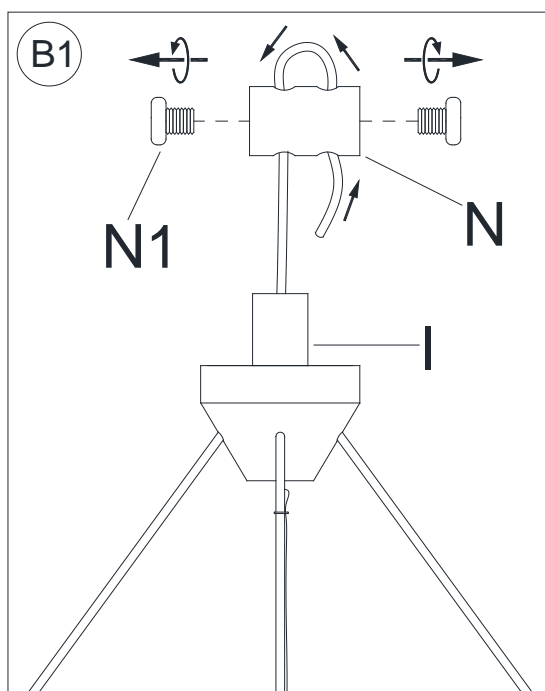
Note: The adjustment or shortening of the lighting fixture's suspension length is only needed if the factory set length is not appropriate for your installation. We recommend that you adjust the proper desired length before cutting the electrical cord. Determine the lighting fixture suspension length from the ceiling for the product installation, allowing the extra cord length for the outlet junction box wire connections as noted below.

1. (See A1, A2 & A3) Thread the fixture 2 wire cord, bare copper wire and safety cable through the 6" Connection Tube (H), making sure the threaded nipple at end of the 6" Connection Poles (H) is downwards. Attach the bottom end of the 6" Connection Tube (H) onto the Threaded Joint (I) by rotating clockwise until tight. Use the Additional Connection Poles (G/F) as needed, to adjust the fixture's suspension length by following the procedures as shown in illustration A2&A3.

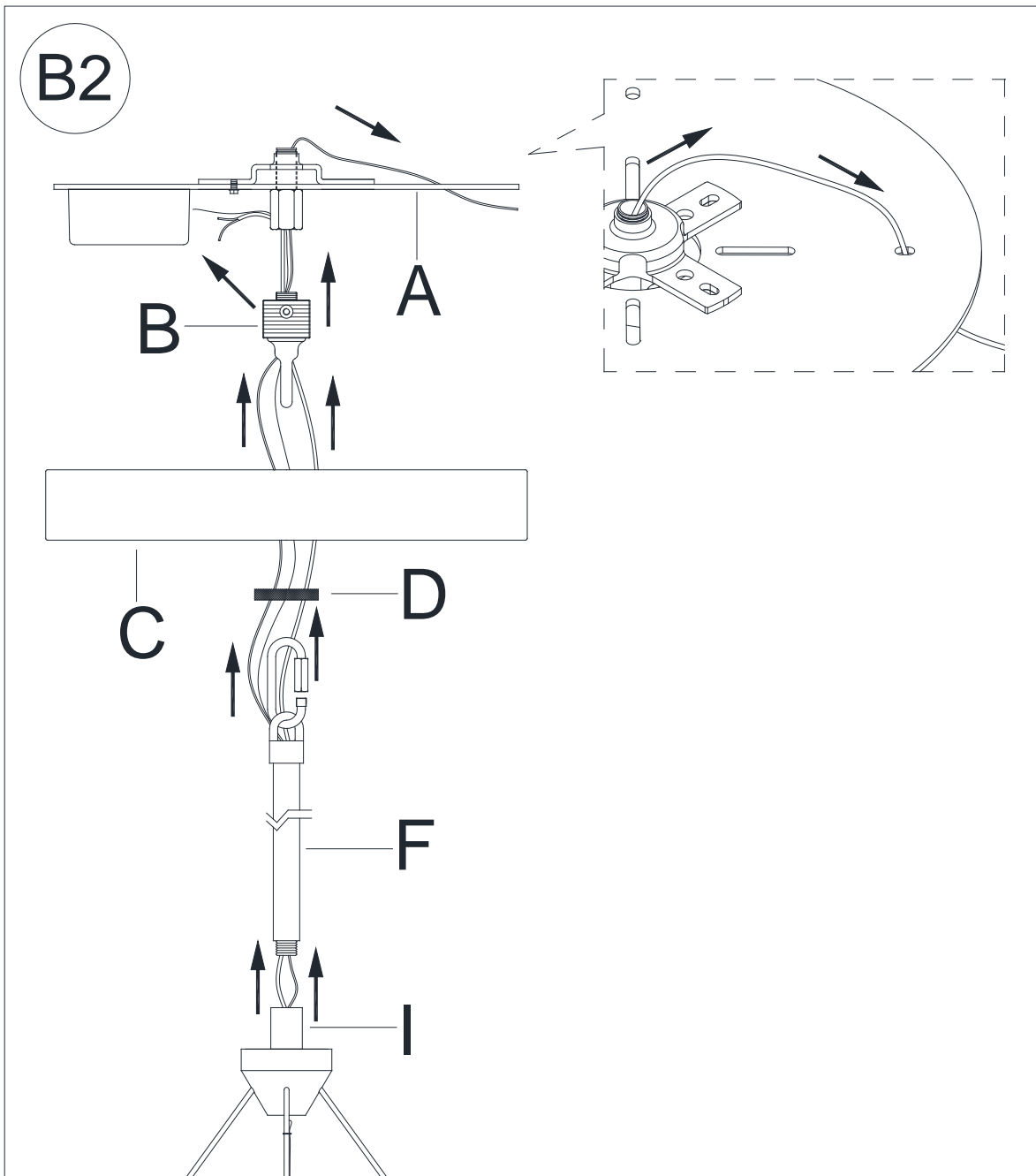


Assembly & Installation Instructions:

- **SHUT OFF THE MAIN ELECTRICAL SUPPLY FROM THE MAIN FUSE BOX/CIRCUIT BREAKER.**
- Carefully unpack all fixture parts and hardware and lay them on a clear workspace.

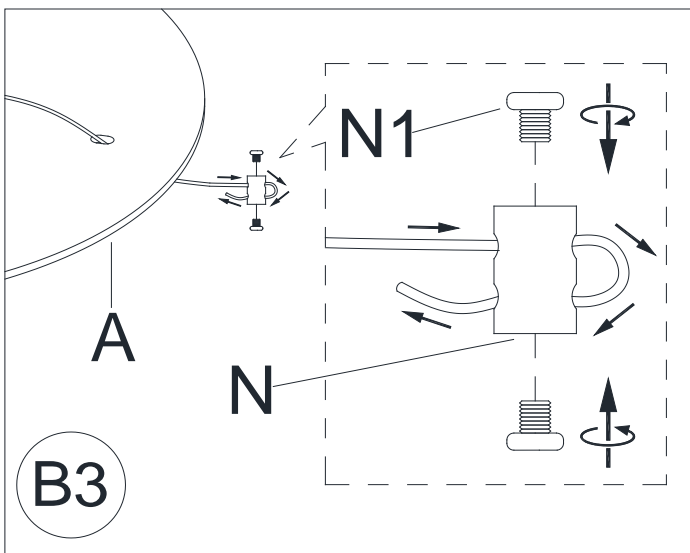


1. Loosen set screws (N1), pull out the safety cable from lock connector (N).



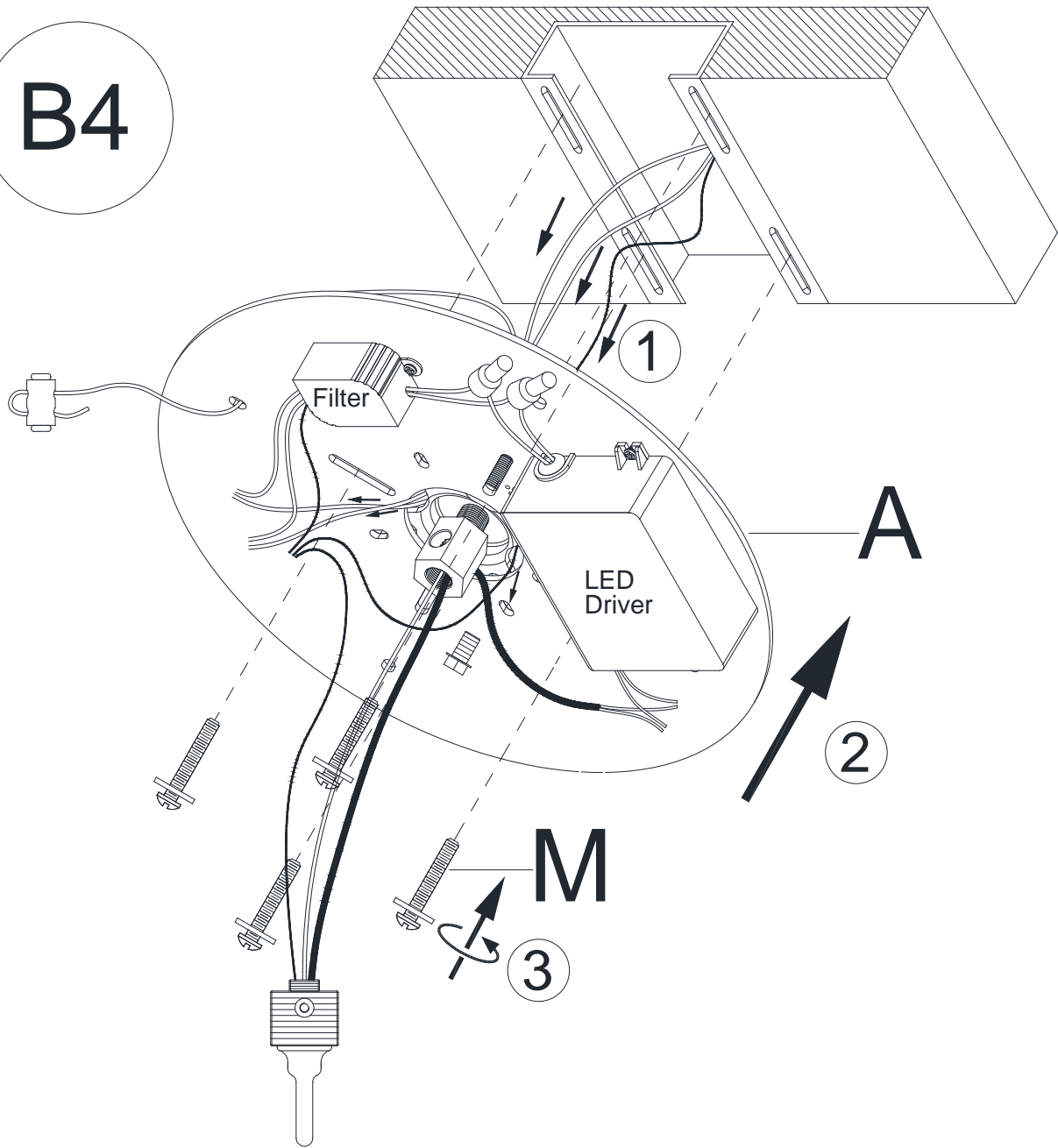
2. Feed fixture cord, safety cable, ground wire through Connection Tubes (F), Canopy Nut (D), Canopy (C), Mounting Loop (B).

3. Feed safety cable (Nicked in color) through center pipe of mounting plate (A), then a hole near the edge of mounting plate (A).

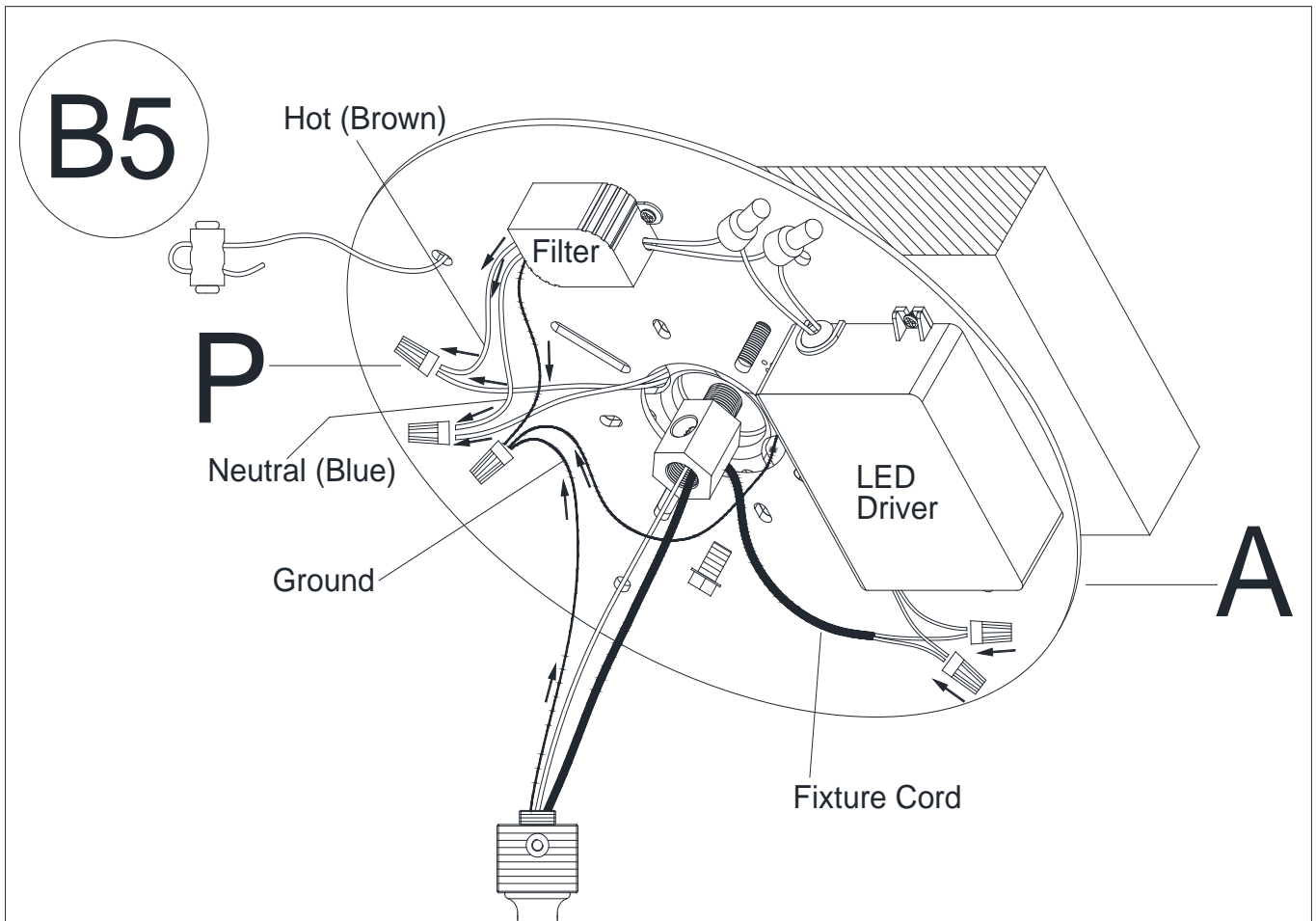


4. Replace the Lock connector (N) to the end of the safety cable and secure by inserting Set Screws (N1).

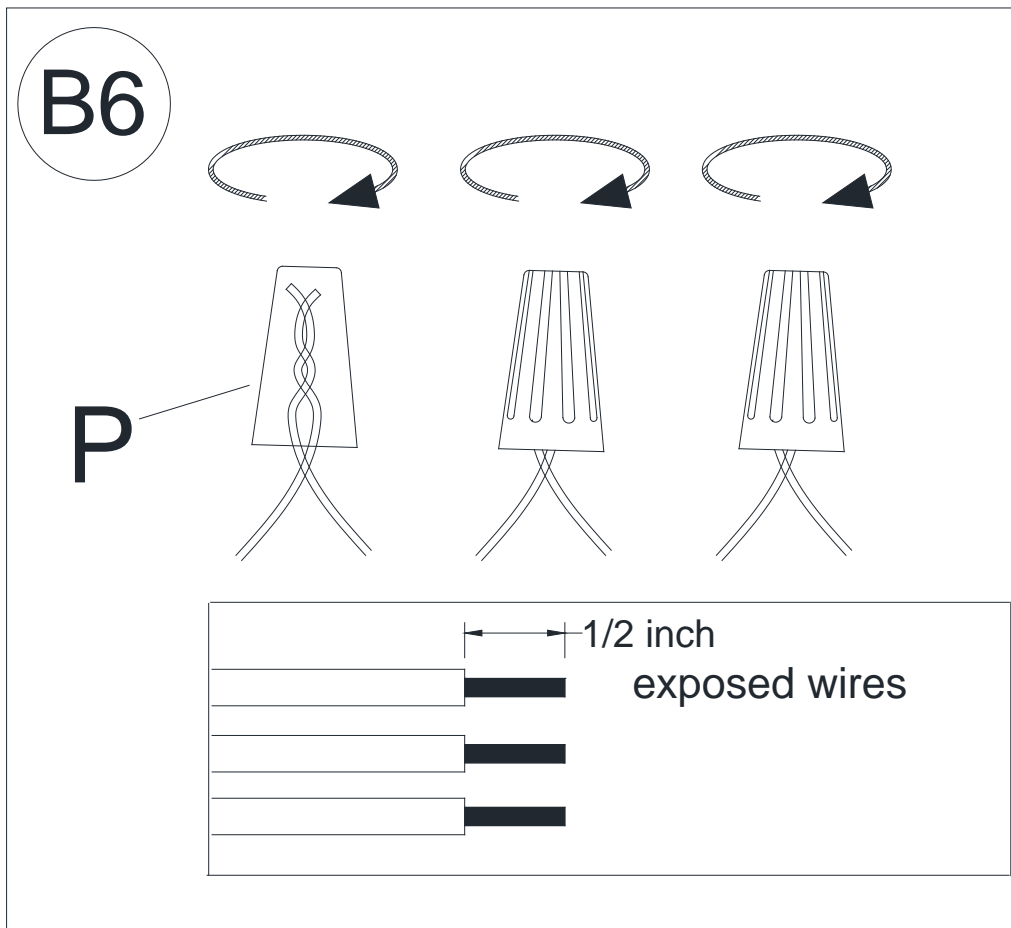
B4



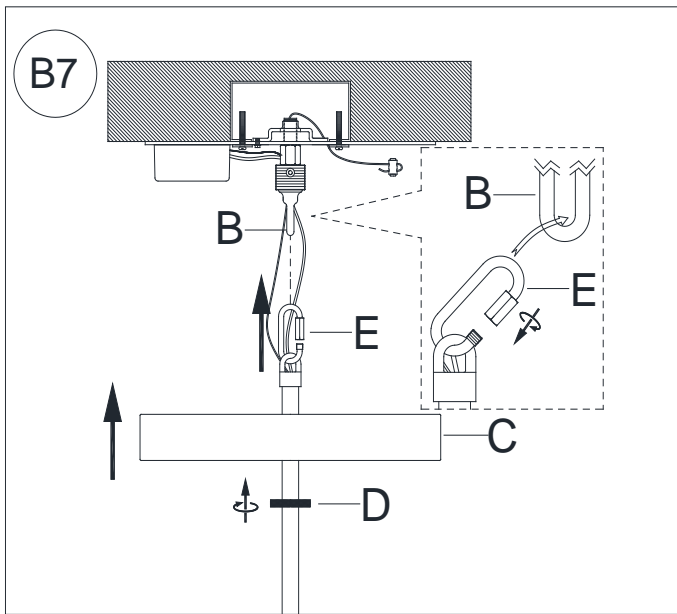
5. Gently pull existing wire down from the ceiling junction box and through the center hole on mounting plate (A)
6. Attach Mounting Plate (A) to ceiling junction box with Mounting Screws (M) provided.



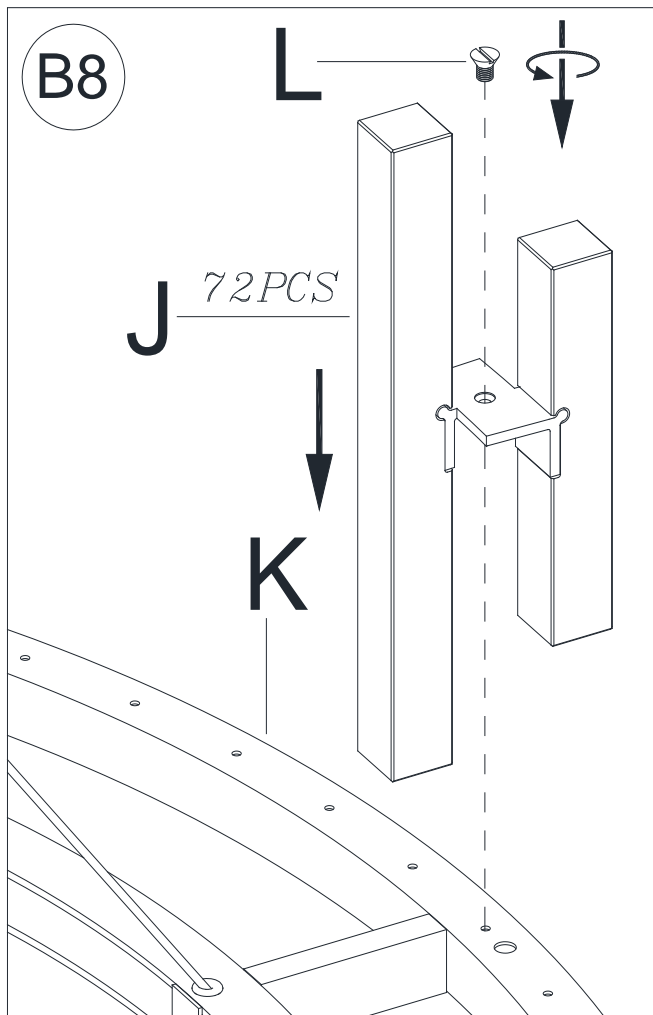
7. Connect the wires from Filter with the wires from the ceiling junction box. Connect the fixture cord with the wires from the LED Driver.



8. Please read the section "To Make the Wire Connections" Below.



- Attach Hanging loop (E) to Mounting Loop (B) and secure by closing the hex nut on Hanging Loop (E). Attach the Canopy (C) onto the Mounting Plate (A) then secure the Canopy (C) by turning the Canopy Nut (D) in a counter-clockwise direction.



- Loosen the Set Screws (L), then place the Brackets (J) onto the Light Fixture (K) and secure the Brackets (J) by tightening Set Screws in a clockwise (L)

Make the Wire Connections:

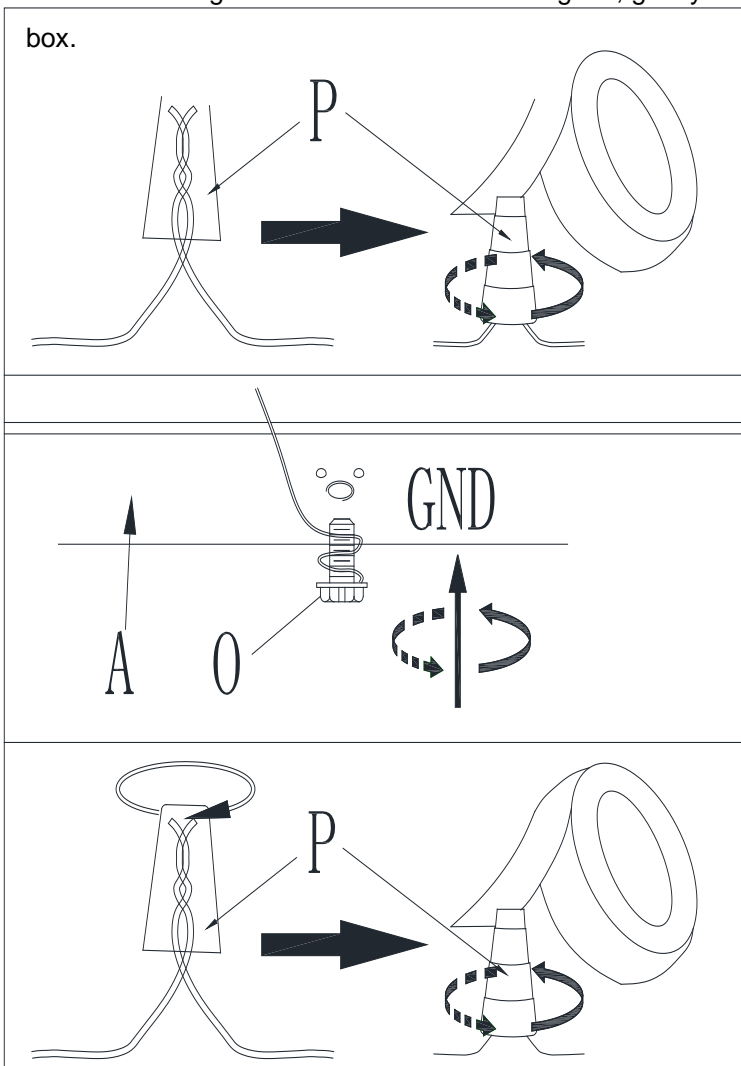
1. Gently pull existing wire down from the ceiling junction box and allow wires to hang. The HOT or LIVE wire is usually black. The NEUTRAL wire is usually white. Check to see if there is a ground wire that is usually green or green with a yellow stripe or exposed copper metal wire. If needed, use a pair of wire strippers to remove about 1/2 inch of insulation from each wire.
2. Carefully inspect the wires from the Filter. The NEUTRAL WIRE is with Blue Insulation. The HOT WIRE is with Brown Insulation. If you have any doubt and cannot identify the power-supply wires with confidence, then we recommend that you ask an electrician and that you not continue with the installation.
3. With the help of another person to hold the weight of the fixture, attach the fixture wires to the junction box wires as shown in the illustrations.

NOTE:

IT IS IMPERATIVE THAT THE JUNCTION BOX IN YOUR HOME BE PROPERLY GROUNDED!

DO NOT REVERSE THE HOT AND NEUTRAL CONNECTIONS OR SAFETY WILL BE COMPROMISED.

4. Check the wiring connections and if all looks good, gently tuck the wire connections neatly into the ceiling junction box.



Connect the GROUND FIXTURE WIRE to the GROUND J-BOX WIRE using the Plastic Wire Nut Connector (P) and wrap the connection with electrical tape. Be sure that no wire strands are exposed.

If the junction box DOES NOT have a GROUND WIRE, wrap the fixture's bare ground wire around the Green Ground Screw (O) and insert the screw into the Mounting Plate (A), marked as "GND", and tighten screw to secure the wire.

Connect the NEUTRAL FILTER WIRE to the NEUTRAL J-BOX WIRE first and then connect the HOT FILTER WIRE to the HOT J-BOX WIRE using the Plastic Wire Nut Connectors (P). Wrap these connections with electrical tape. Be sure that no wire strands are exposed.

FCC COMPLIANCE:

NOTE: This equipment has been tested and found to comply with the limits for a Class B digital device, pursuant to Part 15 of the FCC Rules. These limits are designed to provide reasonable protection against harmful interference in a residential installation. This equipment generates uses and can radiate radio frequency energy and, if not installed and used in accordance with the instructions, may cause harmful interference to radio communications. However, there is no guarantee that interference will not occur in a particular installation. If this equipment does cause harmful interference to radio or television reception, which can be determined by turning the equipment off and on, the user is encouraged to try to correct the interference by one or more of the following measures:

- Reorient or relocate the receiving antenna.
- Increase the separation between the equipment and receiver.
- Connect the equipment into an outlet on a circuit different from that to which the receiver is connected.
- Consult the dealer or an experienced radio/TV technician for help.

This device complies with Part 15 of the FCC Rules. Operation is subject to the following two conditions: (1) This device may not cause harmful interference, and (2) This device must accept any interference received, including interference that may cause undesired operation. Caution: changes or modifications not expressly approved by the party responsible for compliance could void the user's authority to operate the equipment.

IC COMPLIANCE:

This Class B digital apparatus complies with Canadian ICES-005

Care instructions:

- Wipe clean with a soft, dry cloth or static duster.
- Always avoid the use of harsh chemicals or abrasive cleaners as they may cause damage to the fixture's finish.

Thank you for your purchase
Stores | catalog | www.williams-sonoma.com
USA 1.877.812.6235