


WILLIAMS SONOMA
 HOME
ADJUSTABLE FLOOR LAMP

Pre-Assembly:

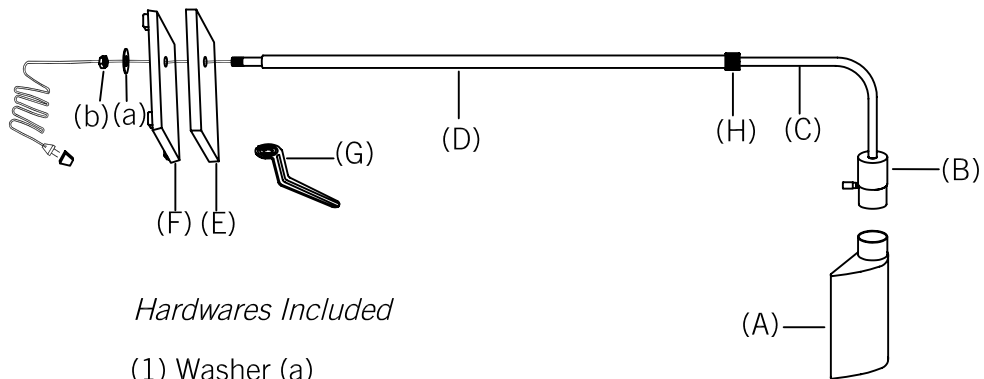
• Please read all instructions carefully and completely before assembly.

Parts Included:

- (1) Shade (A)
- (1) Socket tube (B)
- (1) Inner pole (C)
- (1) Pole (D)
- (1) Lamp base (E)
- (1) Base weight (F)
- (1) Adjustment break (H)

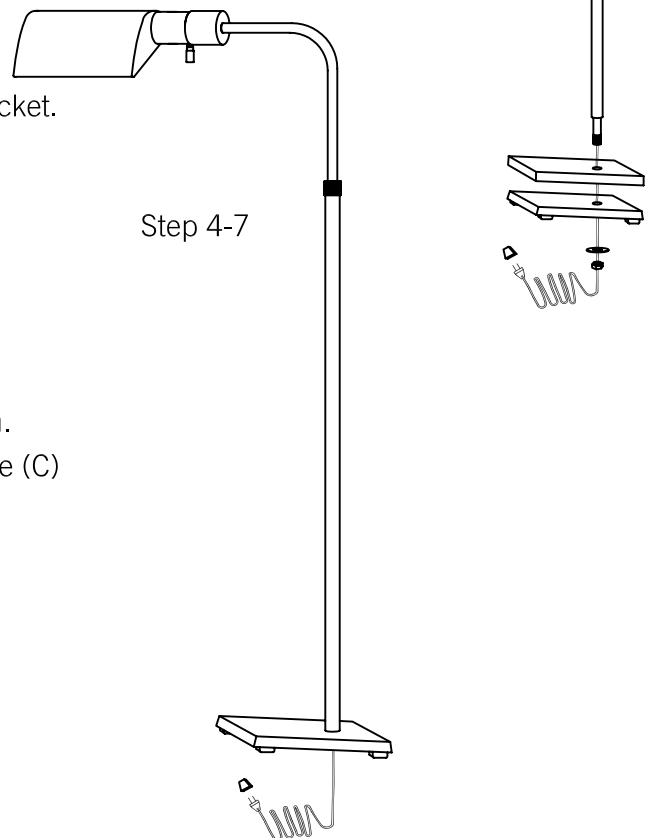
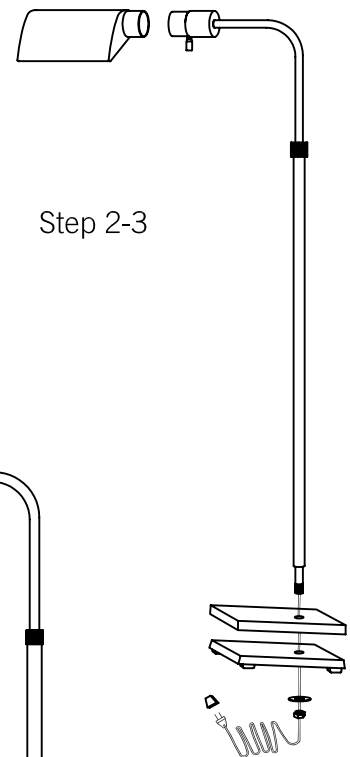
Hardwares Included

- (1) Washer (a)
- (1) Nut (b)
- (1) Wrench (G)



Assembly Instructions:

1. Carefully open the box removing all packing material.
2. Join parts (D),(E) & (F) together by tightening washer (a) and nut (b). Tighten with wrench (G).
3. Attach the handle of shade (A) to socket tube (B).
4. Insert light bulb Type T, maximum 60 watt into socket.
5. Remove red protective plastic from electrical plug.
6. Plug into proper outlet.
7. Assembly is complete. The lamp is ready for use.



ADJUSTMENT INSTRUCTIONS

1. Loosen adjustment break (H) found on lamp stem.
2. Adjust lamp by pulling or pushing upper lamp pole (C) up or down to desired height.
3. Tighten adjustment break (H).

Thank you for your purchase