

WILLIAMS SONOMA HOME

LA MURRINA Spa

CHANDELIER TAPERED

Assembly Instructions

CAUTION:

- **BEFORE INSTALLING FIXTURE, MAKE SURE THE POWER TO THE CIRCUIT IS TURNED OFF AT THE MAIN FUSE BOX / CIRCUIT BREAKER UTILITY BOX.**

Important Safety Instructions:

- These instructions are provided for your safety. It is very important that they are read carefully and completely before beginning the assembly and installation of this lighting fixture.
- We strongly recommend that a professional electrician install all direct wire fixtures.
- **THIS PRODUCT MUST BE INSTALLED IN ACCORDANCE WITH THE APPLICABLE INSTALLATION CODES BY A PERSON FAMILIAR WITH THE CONSTRUCTION AND OPERATION OF THE PRODUCT AND THE HAZARDS INVOLVED.**
- The lighting fixture is meant for indoor use. It must be connected only to 3-wire, single-phase electrical supply systems (provided with Ground wire or equivalent protection system).
- For your safety, it is strongly recommended that two people install the lighting fixture.
- This fixture has been rated for up to ten (10) **40-Watt maximum TYPE A standard incandescent light bulbs** (not included). To avoid the risk of fire, do not exceed the recommended lamp wattage.
- The lighting fixture is meant for indoor use, **DRY LOCATIONS ONLY.**
This luminaire must be mounted or supported independently of an outlet box. This is it for concrete ceiling only. If ceiling is made from other material please, consult your local hardware store for assistance.
Please refer to specialized person for proper ceiling hook.
- **Save these instructions.**

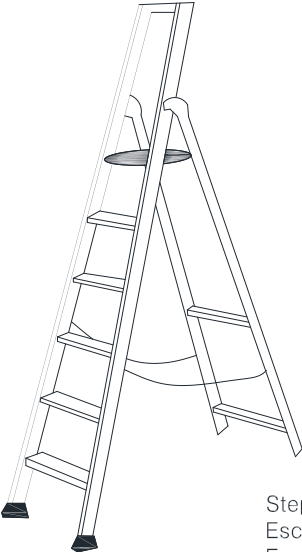
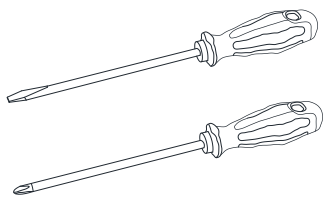
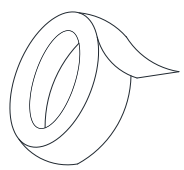
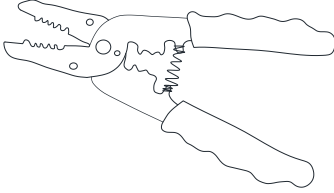
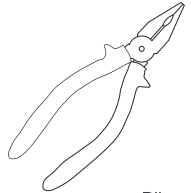
WARNING:

- **To reduce the risk of fire, electrical shock or personal injury, always turn off light fixture and allow it to cool prior to replacing light bulb.**
- **Do not touch bulb when fixture is turned on. Do not look directly at lit bulb.**
- **Keep flammable materials away from lit bulb.**
- **This lighting fixture contains lead, a chemical known to the State of California to cause cancer, birth defects and other reproductive harm. Wash hands after installing, handling, cleaning or otherwise touching this light fixture.**

Pre-assembly:

- Remove all parts and hardware from box along with any plastic protective packaging.
- Do not discard any contents until after assembly is complete to avoid accidentally discarding small parts or hardware.
- For your safety and convenience, assembly by two people is recommended.

TOOLS REQUIRED (not included):

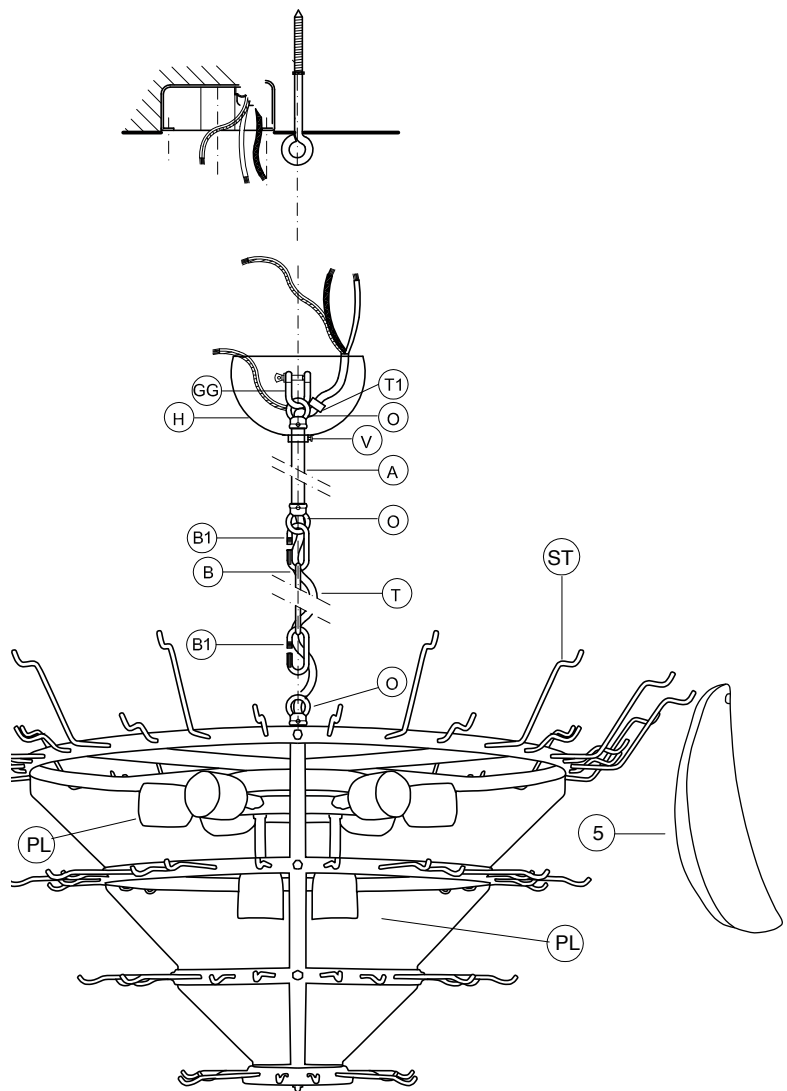
 <p>Step Ladder Escabeau Escalera</p>	 <p>Phillips Head, Flat Blade Screwdrivers Tournevis à tête Phillips et à tête plate Destornilladores Cabeza Phillips y Destornilladores Cabeza Plana</p>	 <p>Electrical tape Ruban isolant Cinta Electrica.</p>
	 <p>Wire Cutter/Stripper Pince coupe-fil/ à dénudé Cortador de Cable</p>	 <p>Plier Pince Alicates</p>

WEIGHTS :

TAPERED - KG 40 - lb 88 c.a./approx

Parts Included:

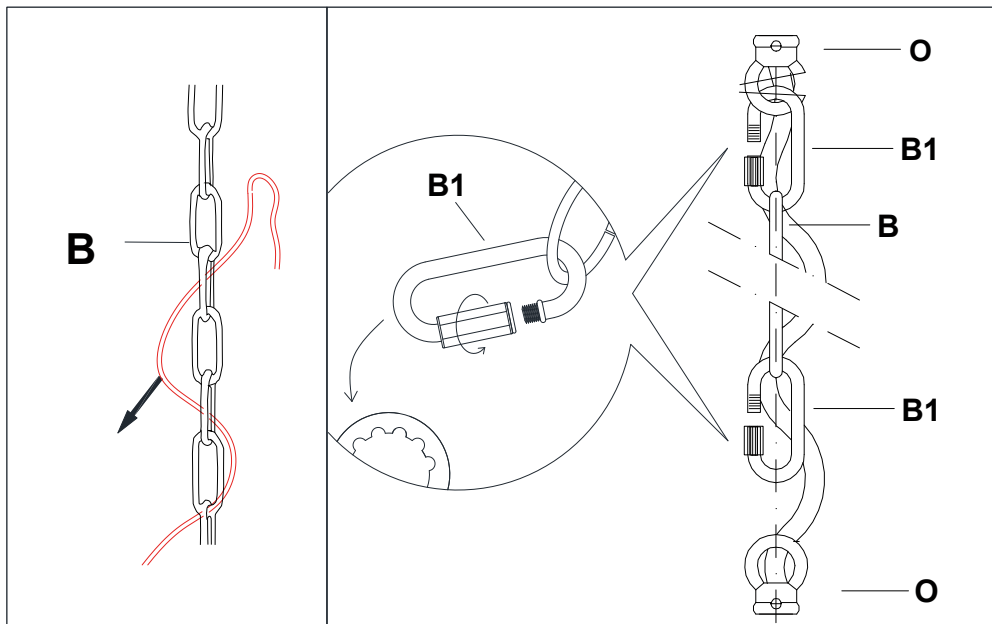
- (A) Stem
- (B) Chain
- (B1) Chain Screw
- (GG) Hook
- (H) Canopy
- (O) Hook
- (PL) Lamp holders
- (ST) Flasks
- (T) Cable
- (T1) Cable - Lock
- (V) Washer Screw
- (5) Glass (86 pcs + 1 spare pc)



To adjust the suspension length of the fixture:

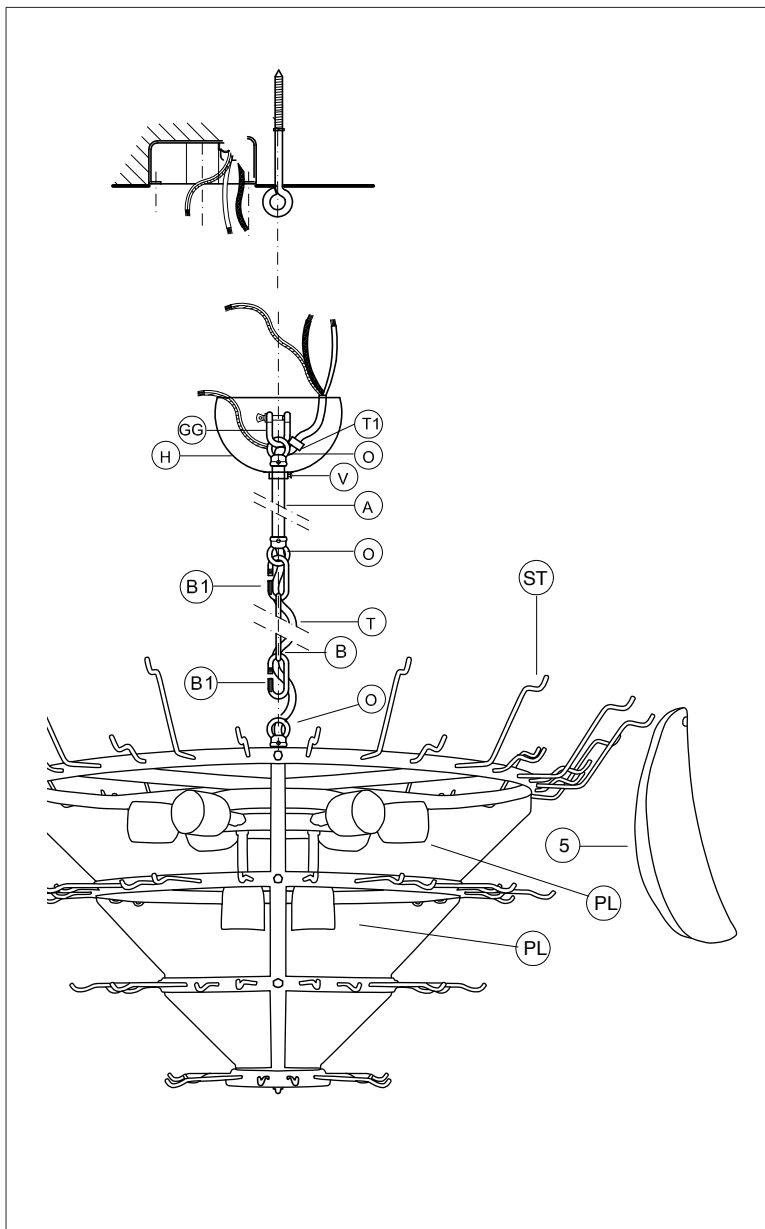
1. Note: The adjustment or shortening of the lighting fixture's suspension length is only needed if the factory set chain length is not appropriate for your installation. We recommend that you adjust the chain to the proper desired length before cutting the electrical cord. Determine the lighting fixture suspension length from the ceiling for the product installation, allowing the extra cord length for the outlet junction box wire connections as noted below.
2. (See A1) Once the length of the chain has been determined pull the white power cord through the chain to adjust its length, and then cut off the excess amount.

(A1)



Assembly & Installation Instructions:

- **SHUT OFF THE MAIN ELECTRICAL SUPPLY FROM THE MAIN FUSE BOX/CIRCUIT BREAKER.**
- Carefully unpack all fixture parts and hardware and lay them on a clear workspace.



1 . Unscrew the screw (V) on the canopy (H) and take it down along the stem (A).

2 . Hang the suspension to the extra hook (see the instructions in front of the page) ,using the hook (GG) as in the picture.

3 . Hang one end of the chain screw (B1) to the hook (O) of the suspension

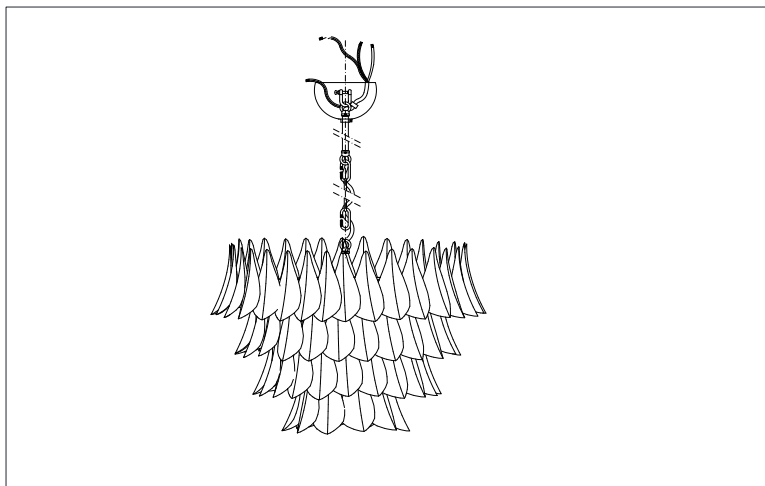
4 . Set free the electrical cable (T) free from the cable-lock (T1). Insert the cable in the links of the chain (B) and in the hole of the stem (A),reposition the cable-lock (T1).

5 . Do the electrical connection connecting in the proper way the ground (GREEN), the hot (BLACK) and neutral (WHITE) conductors. The black and the white wire will be connected to the house power wires. There are 2 green ground wires: one from inside the cap of the chandelier and one inside the white power cord. Tighten both ground wires together and then connect them to the house ground wire.

6 . Make the metal canopy (H) against the ceiling and lock it through its screw (V).

7 . Place the lightbulbs into the lamp holders (PL).

8 . Starting from the centre of the chandelier, apply on the flasks (ST) the glasses (5) .



To Make the Wire Connections:

1. Gently pull existing wire down from the ceiling junction box and allow wires to hang. The HOT or LIVE wire is usually black. The NEUTRAL wire is usually white. Check to see if there is a ground wire that is usually green or green with a yellow stripe or exposed copper metal wire. If needed, use a pair of wire strippers to remove about 1/2 inch of insulation from each wire.

The fixture wires will be connected to the building wires with plastic connectors (not included).

- Carefully inspect the fixtures wires. The NEUTRAL FIXTURE WIRE is WHITE. The HOT FIXTURE WIRE is BLACK and the GREEN WIRE is the GROUND WIRE.

If you have any doubt and cannot identify the power-supply wires with confidence, then we recommend that you ask an electrician and that you not continue with the installation.

- With the help of another person to hold the weight of the fixture, attach the fixture wires to the junction box wires as shown in the illustrations.

- Connect the GROUND FIXTURE WIRE to the GROUND J-BOX WIRE using the Plastic Wire Nut Connector and wrap the connection with electrical tape. Be sure that no wire strands are exposed

- Connect the NEUTRAL FIXTURE WIRE to the NEUTRAL J-BOX WIRE first and then connect the HOT FIXTURE to the HOT J-BOX WIRE using the Plastic Wire Nut Connectors. Wrap these connections with electrical tape. Be sure that no wire strands are exposed.

NOTE:

IT IS IMPERATIVE THAT THE JUNCTION BOX IN YOUR HOME BE PROPERLY GROUNDED!

DO NOT REVERSE THE HOT AND NEUTRAL CONNECTIONS OR SAFETY WILL BE COMPROMISED.

2. Check the wiring connections and if all looks good, gently tuck the wire connections neatly into the ceiling junction box.

Care instructions:

- Wipe clean with a soft, dry cloth or static duster.
- Always avoid the use of harsh chemicals or abrasive cleaners as they may cause damage to the fixture's finish.

Thank you for your purchase

Stores | catalog | www.williams-sonoma.com

USA 1.877.812.6235