



## Mila Floor Lamp

### Assembly Instructions

#### Important Safety Instructions:

- These instructions are provided for your safety. It is very important that they are read carefully and completely before beginning the assembly and installation of this lighting fixture.
- This portable luminaire has a polarized plug (one blade is wider than the other) as a safety feature to reduce the risk of electric shock. This plug will fit in a polarized outlet only one way. If the plug does not fit fully in the outlet, reverse the plug. If it still does not fit, contact a qualified electrician. Never use with an extension cord unless plug can be fully inserted. Do not alter the plug. Do not attempt to defeat this safety feature.
- This fixture has been rated for up to E12 three (3) **60-watt maximum TYPE B standard (candelabra) incandescent light bulbs** (not included) or three (3) **13-watt compact fluorescent light bulbs** (not included) or three (3) **4.5-watt SBLED light bulbs** (included). To avoid the risk of fire, do not exceed the recommended lamp wattage.
- Use with approved Williams-Sonoma Home Shades only, having a minimum opening diameter of 3-1/2 inches and a minimum lamp-to-shade spacing of 2-1/2 inches.
- This lamp is meant for indoor use.
- **Save these instructions.**

#### WARNING:

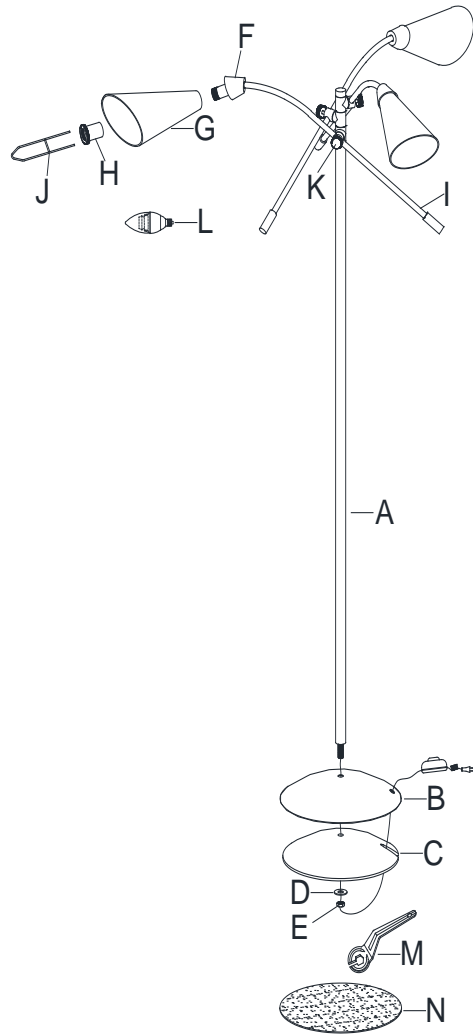
- **To reduce the risk of fire, electrical shock or personal injury, always turn off and unplug the light fixture and allow it to cool prior to replacing the light bulb.**
- **Do not touch bulb when fixture is turned on. Do not look directly at lit bulb.**
- **Keep flammable materials away from lit bulb.**

#### Pre-assembly:

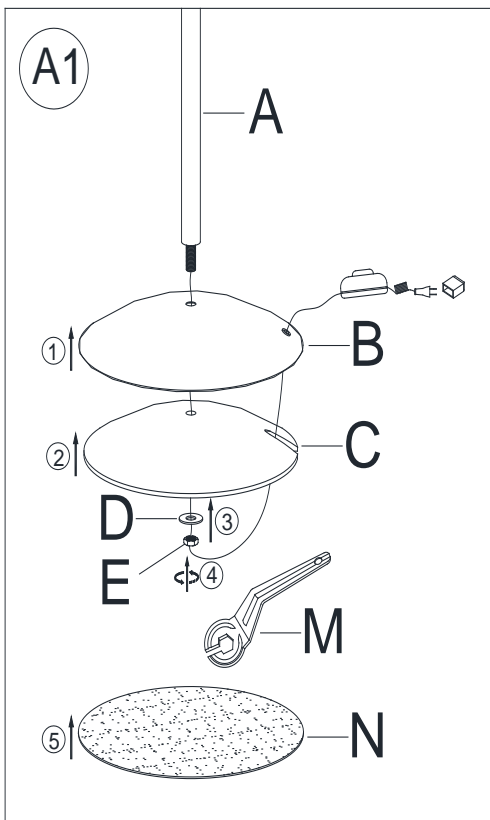
- Remove all parts and hardware from box along with any plastic protective packaging.
- Do not discard any contents until after assembly is complete to avoid accidentally discarding small parts or hardware.

**Parts Included:**

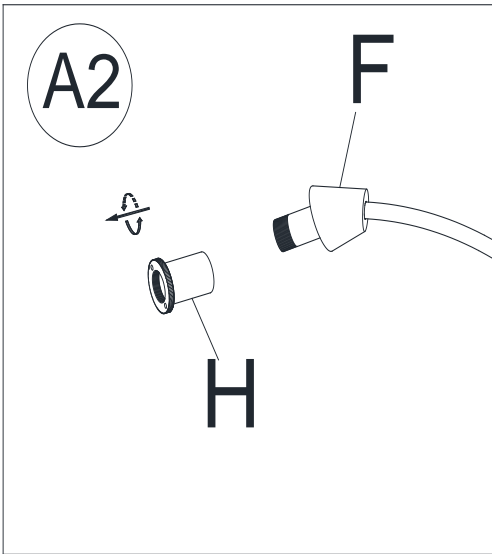
- (A) Lamp Pole (1)
- (B) Lamp Base (1)
- (C) Base Weight (1)
- (D) Spring Washer (1)
- (E) Hex Nut (1)
- (F) Sockets (3)
- (G) Glass Shades (3)
- (H) Socket Rings (3)
- (I) Lamp Arms (3)
- (J) Fork Wrench (1)
- (K) Adjustment Knobs (3)
- (L) LED Light Bulbs (3)
- (M) Wrench (1)
- (N) Felt Paper (1)



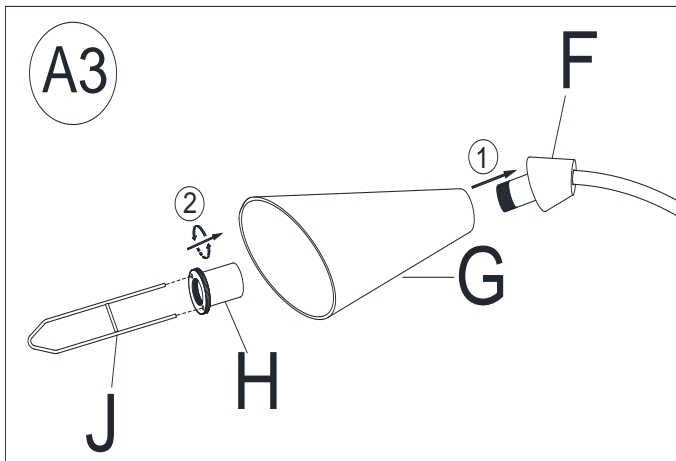
**To Assemble:**



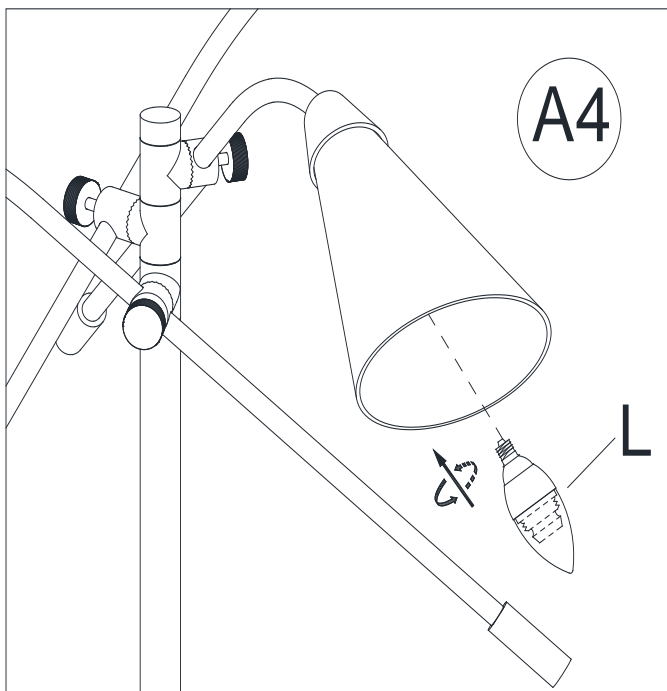
1. Fully insert the bottom threaded nipple of the Lamp Pole (A) into the center hole of the Lamp Base (B) and Base Weight (C) until the threaded portion of the Lamp Pole (A) is exposed on the bottom side of Base Weight (C). Position the Spring Washer (D) first and then the Hex Nut (E) onto the extended threaded portion from the Lamp Pole (A), tighten the Hex Nut (E) to secure the Lamp Pole (A) onto the Lamp Base (B) & Base Weight (C) until tight using a Wrench (M).
2. Remove the backing sheet from the Felt Paper (N), affix the Felt Paper (N) onto the underneath of Base Weight (N).



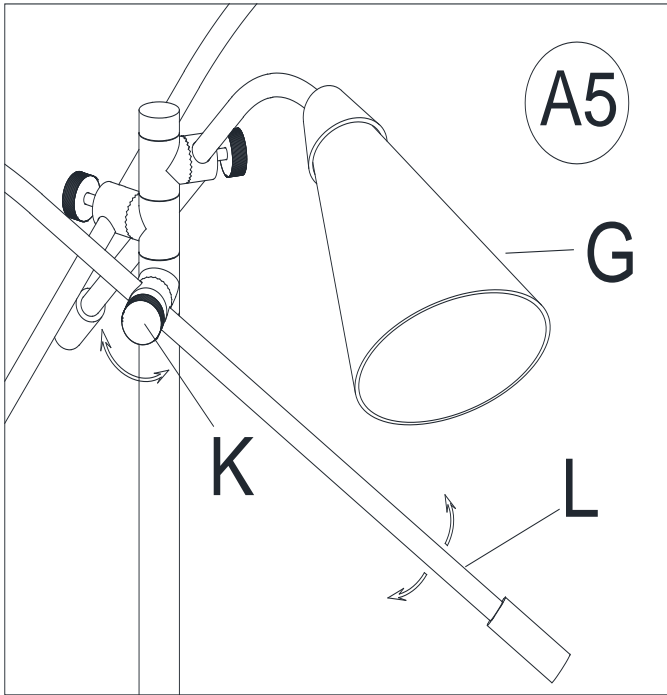
Remove Socket Rings (H) from Sockets (F) by turning clockwise direction.



Attach Glass Shades (G) to the threaded portion of Sockets (F) and secure with Socket Rings (H). Tighten with Fork Wrench (J).



Insert the specified light bulbs (L) into the Sockets (F). DO NOT EXCEED THE SPECIFIED WATTAGE.



If need, loosen Adjustment Knobs (K), swing Lamp Arms (L) to adjust Glass Shades (G) to desired position and secure by tightening Adjustment Knobs (K).

**Care instructions:**

- Wipe clean with a soft, dry cloth or static duster.
- Always avoid the use of harsh chemicals or abrasive cleaners as they may cause damage to the fixture's finish

Thank you for your purchase  
Stores | catalog | [www.williams-sonoma.com](http://www.williams-sonoma.com)  
USA 1.877.812.6235