

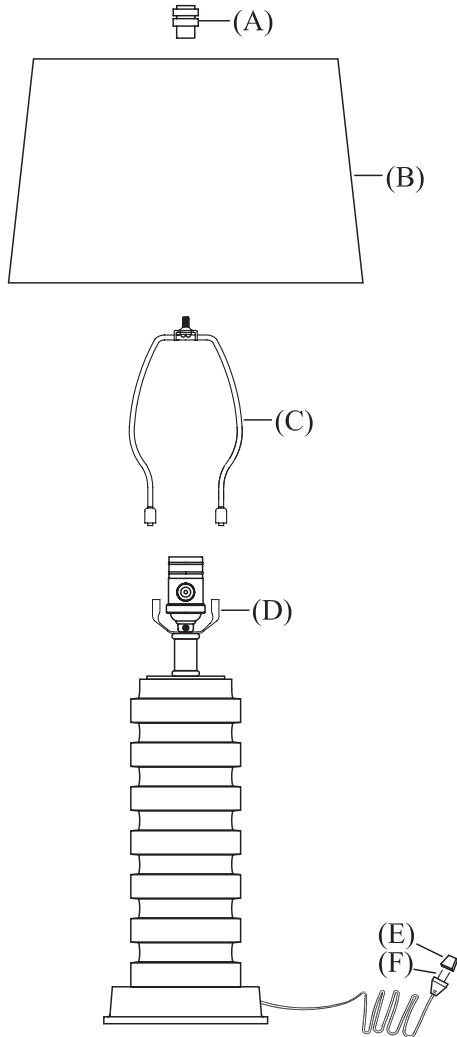
CHA8960

ASSEMBLY & INSTALLATION GUIDE

RHODES ALABASTER TABLE LAMP

INSPECT ITEM CAREFULLY BEFORE ATTEMPTING TO INSTALL. IF THERE IS ANY DAMAGE OR OBVIOUS DEFECT, DO NOT INSTALL.

ITEM MAY NOT BE RETURNED ONCE IT HAS BEEN INSTALLED.



1. Remove all parts carefully from box.
2. Insert harp (C) into harp saddle (D) by squeezing both sides of the harp.
3. Remove finial (A) from harp (C). Place lamp shade (B) over the bolt attached on top of harp (C), screw finial (A) onto the bolt to secure lamp shade to the harp.
4. Insert light bulb into socket.
5. Remove plastic cover (E) from electrical plug (F).
6. Plug lamp into wall outlet.