



Sloane Single Shop Pendant Assembly and Installation Instructions

Country of Destination: US/CN UK/EU/AUS Middle East

CAUTION:

- **BEFORE INSTALLING FIXTURE, MAKE SURE THE POWER TO THE CIRCUIT IS TURNED OFF AT THE MAIN FUSE BOX / CIRCUIT BREAKER UTILITY BOX.**

Important Safety Instructions:

- These instructions are provided for your safety. It is very important that they are read carefully and completely before beginning the assembly and installation of this lighting fixture.
- We strongly recommend that a professional electrician install all direct wire fixtures.
- THIS PRODUCT MUST BE INSTALLED IN ACCORDANCE WITH THE APPLICABLE INSTALLATION CODES BY A PERSON FAMILIAR WITH THE CONSTRUCTION AND OPERATION OF THE PRODUCT AND THE HAZARDS INVOLVED.
- The lighting fixture is meant for indoor use. It must be connected only to 3-wire, single-phase electrical supply systems (provided with Ground wire or equivalent protection system).
- For your safety, it is strongly recommended that two people install the lighting fixture.
- **Make sure the light bulbs do not touch the shade sides.**
- This fixture has been rated for up to two (2) **60-watt maximum TYPE A standard incandescent light bulbs** (not included) or two (2) **13-watt compact fluorescent light bulbs** (not included). To avoid the risk of fire, do not exceed the recommended wattage.
- **Use with approved Williams-Sonoma Home Shades only, having a minimum opening diameter of 4-1/2 inches and a minimum lamp-to-shade spacing of 2-1/2 inches.**
- The lighting fixture is meant for indoor use, DRY LOCATION ONLY.
- **Save these instructions.**

WARNING:

- **To reduce the risk of fire, electrical shock or personal injury, always turn off light fixture and allow it to cool prior to replacing light bulb.**
- **Do not touch bulb when fixture is turned on. Do not look directly at lit bulb.**
- **Keep flammable materials away from lit bulb.**
- **This lighting fixture contains lead, a chemical known to the State of California to cause cancer, birth defects and other reproductive harm. Wash hands after installing, handling, cleaning or otherwise touching this light fixture.**

Pre-assembly:

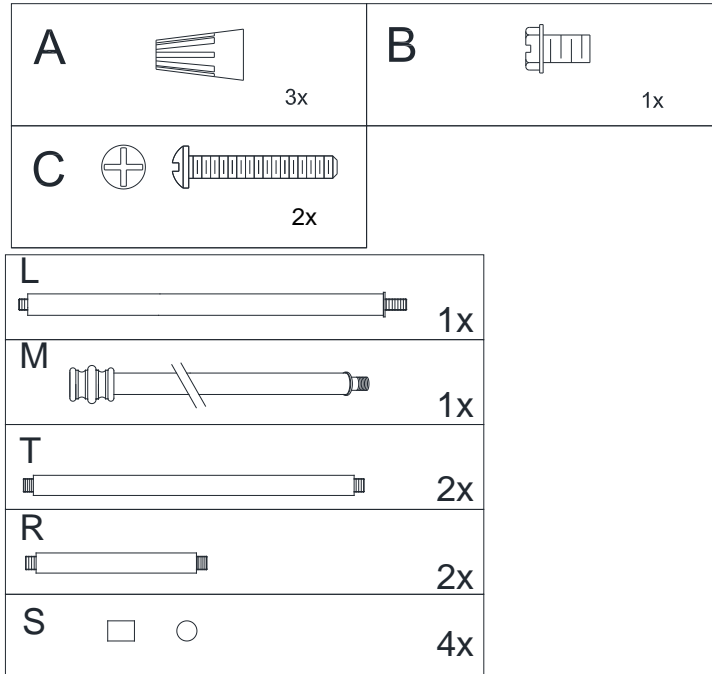
- Remove all parts and hardware from box along with any plastic protective packaging.
- Do not discard any contents until after assembly is complete to avoid accidentally discarding small parts or hardware.
- For your safety and convenience, assembly by two people is recommended.

Parts Included:

- (1) Mounting Plate (D)
- (1) Threaded Tube (E)
- (1) Hex Nut (F)
- (1) Lock Washer (G)
- (1) Threaded Joint (H)
- (2) Sockets (I)
- (1) Canopy (J)
- (1) Canopy Nut (K)
- (1) Upper Pole (L)
- (1) Lower Pole (M)
- (1) Light Fixture (N)
- (2) Threaded Rings (O)
- (1) S-Cluster (P)
- (1) Rod (Q)
- (2) Short Tubes (R)
- (4) Connective Tubes (S)
- (2) Long Tubes (T)
- (1) Diffuser (U)
- (1) Shade Fixing Plate (V)
- (1) Set Screw (W)
- (1) Finial (X)
- (1) Shade (Y)

Hardware Enclosed:

- (3) Plastic Wire Nut Connectors (A)
- (1) Green Ground Screw (B)
- (2) Mounting Screws (C)



TOOLS REQUIRED (Not included): Ladder, Phillips Head & Flat Blade Screwdrivers, Pliers, Wire Cutter/Stripper & Electrical Tape.

To Adjust the Suspension Length of the Fixture:

1. Note: The adjustment or shortening of the lighting fixture's suspension length is only needed if the factory set length is not appropriate for your installation. We recommend that you adjust the proper desired length before cutting the electrical cord.
2. Determine the lighting fixture suspension length from the ceiling for the product installation, allowing the extra cord length for the outlet junction box wire connections as noted below.
3. Insert the fixture wires through the Lower Pole (M) and attach the bottom end of the Lower Pole (M) into the threaded joint at the top of the Light Fixture (N) by turning in a clockwise direction until tight. (See diagram)
4. If needed, unscrew the Threaded Joint (H) from the Upper Pole (L) and set it aside. Do not discard the Threaded Joint (H) as these will be used later.
5. Insert the fixture wires through the Upper Pole (L) making sure the long threaded portion of the Upper Pole (L) is downward as shown in diagram. Attach the bottom end of the Upper Pole (L) onto the top end of the Lower Pole (M) by turning in a clockwise direction until tight. (See diagram).
6. If you would like to use only one Long Tube (T), then thread the fixtures power cord through the one Connective Tube (S) first and then through the Long Tube (T). Attach one end of the Connective Tube (S) onto the top end of the Upper Pole (L) by turning the two parts clockwise until tight. Then attach the lower end of the Long Tube (T) onto the top end of the Connective Tube (S) by turning in a clockwise direction until tight.
7. Use the additional Tubes (T&R&S) as needed, to adjust the fixture's suspension length by following the similar procedure as outlined in step 5.
8. If needed, (depending upon final fixture hanging position from the ceiling), cut off the extra power cord length on the 2 wire cord and bare ground wire. Make sure when cutting the power cord and bare ground wire to cut them so that they all are at least 6 inches (152.4 mm) long within the outlet junction box (J-box). Prepare the cut power cord wires using the following steps. Use wire strippers to prepare the ends of the two wires so that there is about 1/2 inch of exposed wire for the Plastic Wire Nut Connectors (A).

Assembly & Installation Instructions:

1. **SHUT OFF THE MAIN ELECTRICAL SUPPLY FROM THE MAIN FUSE BOX/CIRCUIT BREAKER!**



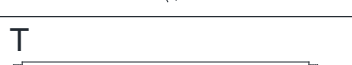

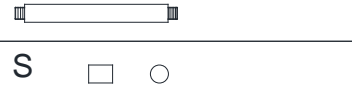
2. Carefully unpack all fixture parts and hardware and lay them out on a clear workspace.
3. If the parts are not already preassembled or if suspension length adjustments were not made, please use the instruction section above "To Adjust the Suspension Length of the Fixture" for the proper assembly of the Metal Tubes (M&L&T&R&S) to the desired suspension length.
4. If needed, separate the Canopy Nut (K) from the Threaded Joint (H) by turning counter-clockwise.
5. Slip Canopy Nut (K) first and then position Canopy (J) over the top end of the assembled Tube (L/R/T)
6. Attach the Threaded Joint (H) onto the top end of the upper assembled Tube (L/R/T) by turning in a clockwise direction until tight.
7. Feed the fixtures 2 wire power cord and bare ground wire through the Threaded Tube (E).
8. If the parts are not already preassembled, attach the Threaded Tube (E) into the threaded bore of the Threaded Joint (H) and rotate the Threaded Tube (E) clockwise until it is tightly engaged within the Threaded Joint (H). Secure this threaded connection by tighten the Set Screw (W) clockwise using a screwdriver. If the Threaded Tube (E) is not yet secured to the Mounting Plate (D), do so now so that a portion of the Threaded Tube (E) extends beyond the Mounting Plate (D).
9. Position the Lock Washer (G) first and then the Hex Nut (F) onto the extended upper portion of the Threaded Tube (E). Make sure the length of the Threaded Tube (E) is longer on the bottom end, as shown in Fig. 1. Tighten the Hex Nut (F) until tight using a hex wrench or a pair of pliers so that the Threaded Tube (E) is now firmly secured to the middle of the Mounting Plate (D).
10. If needed, (depending upon final fixture hanging position from the ceiling), cut off the extra power cord length on the 2 wire cord and bare ground wire. Make sure when cutting the power cord and bare ground wire to cut them so that they all are at least 6 inches (152.4 mm) long within the outlet junction box (J-box). Prepare the cut power cord wires using the following steps. Use wire strippers to prepare the ends of the two wires so that there is about 1/2 inch of exposed wire for the Plastic Wire Nut Connectors (A).
11. Gently pull existing wire down from the ceiling junction box and allow **wires** to hang. The HOT or LIVE wire is usually black. The NEUTRAL wire is usually white. Check to see if there is a ground wire that is usually green or green with a yellow stripe or exposed copper metal wire. If needed, use a pair of wire strippers to remove about 1/2 inch of insulation from each wire.
12. Carefully inspect the fixtures wires. The NEUTRAL FIXTURE WIRE has FINE LONGITUDINAL RIDGES running along its length. The HOT FIXTURE WIRE is SMOOTH and the BARE COPPER WIRE is the GROUND WIRE. If you have any doubt and cannot identify the power-supply wires with confidence, then we recommend that you ask an electrician and that you not continue with the installation.
13. With the help of another person to hold the weight of the fixture, attach the GROUND WIRE from the fixture to the GROUND JUNCTION BOX WIRE from the ceiling outlet junction box (J-box) (usually green insulation or bare wire). Fasten each together with a Plastic Wire Nut Connector (A) by twisting the connector in a clockwise direction and wrap the connection with electrical tape. Be sure that no wire strands are exposed. If your outlet junction box DOES NOT have a GROUND WIRE, be sure to insert the Green Ground Screw (B) into the Mounting Plate (D), marked as "GND", facing downward and wrap the fixture's bare ground wire around the Green Ground Screw (B). Tighten screw to clamp ground wire between ground screw head and Mounting Plate (D). **IT IS IMPERATIVE THAT THE JUNCTION BOX IN YOUR HOME BE PROPERLY GROUNDED!**
14. Connect the NEUTRAL FIXTURE WIRE to the NEUTRAL JUNCTION BOX WIRE (usually white insulation). Fasten each together with a Plastic Wire Nut Connector (A) by twisting the connector in a clockwise direction and wrap the connection with electrical tape. Be sure that no wire strands are exposed.
15. Connect the HOT FIXTURE WIRE to the HOT JUNCTION BOX WIRE (usually black insulation). Fasten each together with a Plastic Wire Nut Connector (A) by twisting the connector in a clockwise direction and wrap the connection with electrical tape. Be sure that no wire strands are exposed. **DO NOT REVERSE THE HOT AND NEUTRAL CONNECTIONS OR SAFETY WILL BE COMPROMISED.**
16. Check the wiring connections and if all looks good, gently tuck the wire connections neatly into the ceiling junction box.
17. Attach the Mounting Plate (D) to the ceiling outlet box using the 2 J-box Mounting Screws (C). Align the slots of the Mounting Plate (D) with the two threaded holes located on the J-Box. Use a screwdriver to tighten each screw until the Mounting Plate (D) is firmly secured to the J-Box.
18. Slide the Canopy (J) upward along the Metal Tubes (L/R/T) so that the central opening of the Canopy (J) is received and centered by the threaded portion of the Threaded Joint (H). A section of the threads on Threaded Joint (H) should be exposed below the Canopy (J). The Threaded Joint (H) should be hanging below the Canopy (J) and the upper rim of the Canopy (J) should be pressing gently against the ceiling surface, covering the junction box. While holding the Canopy (J) firmly in place, position the Canopy Nut (K) against the Threaded Joint (H) and rotate the nut clockwise to

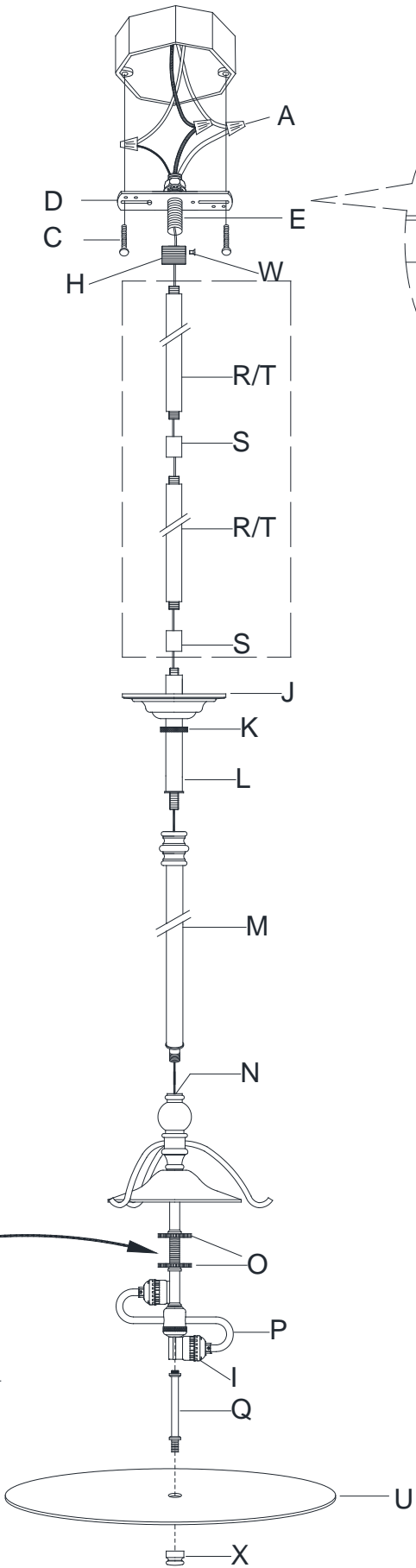
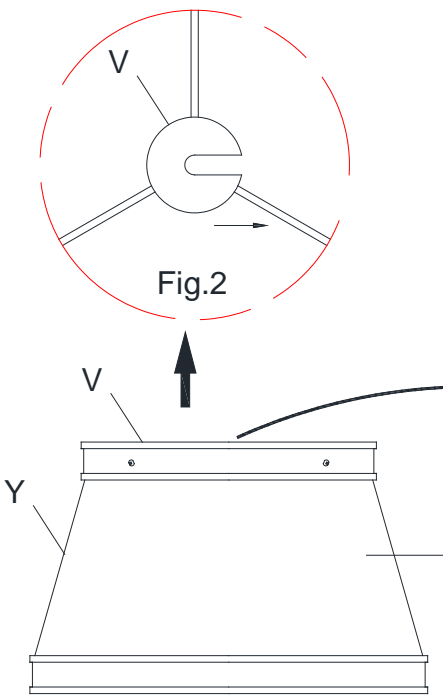
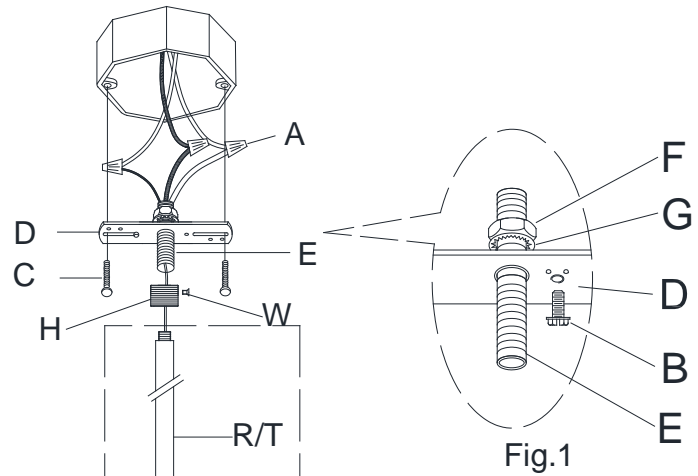
engage it with the threaded portion of the Threaded Joint (H) until secure. Do not over tighten this nut. Finger tight should be sufficient to hold the Canopy (J) firmly in place.

19. Position the Shade (Y) upwards over the Sockets (I) and slide the Shade Fixing Plate (V) of the Shade (Y) onto the threaded portion between the two Threaded Rings (O) as shown in diagram. Secure the Shade (Y) in place by tightening the Threaded Rings (O) clockwise until secure. (See Fig.2).
20. Insert two (2) **60-watt maximum TYPE A standard incandescent light bulbs** (not included) or two (2) **13-watt compact fluorescent light bulbs** (not included) into Sockets (I). DO NOT EXCEED THE SPECIFIED WATTAGE.
21. Attach the short threaded end of the Rod (Q) into the center threaded bore of the S-Cluster (P) by turning in a clockwise direction until tight.
22. Position the Diffuser (U) onto the bottom of the Shade (Y) making sure the bottom threaded end of the Rod (Q) extend through the center hole of the Diffuser (U). Secure the Diffuser (U) in place by turning the Finial (X) in a clockwise direction by hand until tight.
23. Restore power to junction box and test fixture.
24. Assembly and Installation is complete.

Care instructions:

- Wipe clean with a soft, dry cloth or static duster.
- Always avoid the use of harsh chemicals or abrasive cleaners as they may cause damage to the fixture's finish.

L		1x
M		1x
T		2x
R		2x
S		4x



Thank you for your purchase
 Stores | catalog | www.williams-sonoma.com
 USA 1.877.812.6235