

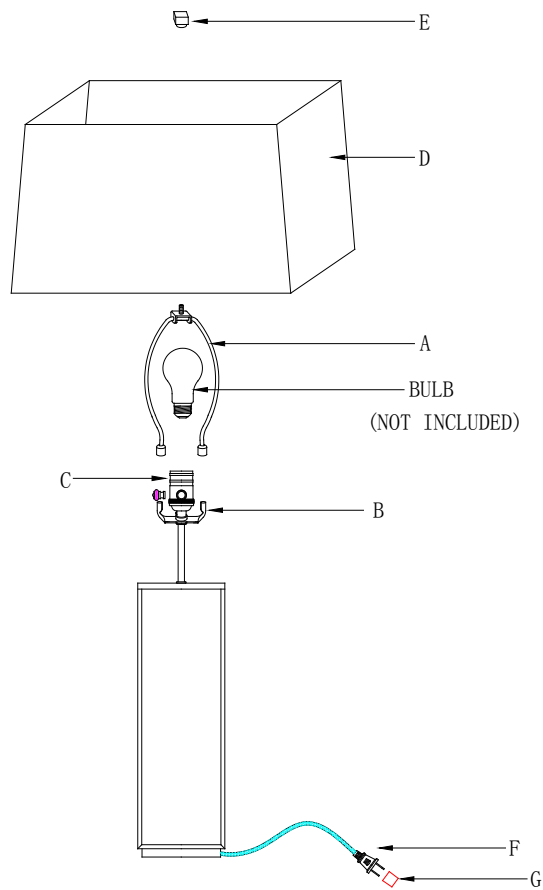
ARN3011

ASSEMBLY & INSTALLATION GUIDE

AERIN BEECHER TABLE LAMP

INSPECT ITEM CAREFULLY BEFORE ATTEMPTING TO INSTALL. IF THERE IS ANY DAMAGE OR OBVIOUS DEFECT, DO NOT INSTALL.

ITEM MAY NOT BE RETURNED ONCE IT HAS BEEN INSTALLED.



1. Carefully remove all parts from the box and place all the assembly parts on a soft surface.
2. Insert harp (A) into the two-pronged saddle (B) as shown.
3. Remove finial (E) from harp (A).
4. Place lampshade (D) over the assembled harp (A) and secure with the finial (E)
5. Insert bulb (not included) into socket (C).
6. Remove red protective plug cover (G) from plug (F).
7. Plug into proper electrical outlet and test fixture.
8. Assembly is complete.