

# WILLIAMS-SONOMA

## Aerin Noir Table Lamp Base Assembly Instruction

### Important Safety Instructions:

- These instructions are provided for your safety. It is very important that they are read carefully and completely before beginning the assembly and installation of this lighting fixture.
- This portable luminaire has a polarized plug (one blade is wider than the other) as a safety feature to reduce the risk of electric shock. This plug will fit in a polarized outlet only one way. If the plug does not fit fully in the outlet, reverse the plug. If it still does not fit, contact a qualified electrician. Never use with an extension cord unless plug can be fully inserted. Do not alter the plug. Do not attempt to defeat this safety feature.
- This fixture has been rated for up to two (2) 60-Watt maximum Type A standard incandescent light bulb (not included) or two (2) 13-Watt compact fluorescent light bulb (not included) or two (2) 9-watt LED light bulb (included). To avoid the risk of fire, **DO NOT EXCEED THE RECOMMENDED LAMP WATTAGE.**
- Use with approved WILLIAMS-SONOMA Shades only, having a minimum opening diameter of 4.5 inches and a minimum lamp-to-shade spacing of 4-3/4 inches.
- This lamp is meant for indoor use.
- **Save these instructions.**

### WARNING:

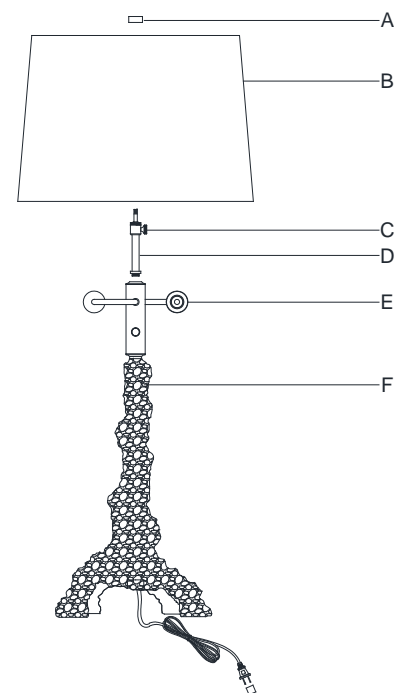
- **To reduce the risk of fire, electrical shock or personal injury, always turn off and unplug the light fixture and allow it to cool prior to replacing the light bulb.**
- **Do not touch bulb when fixture is turned on. Do not look directly at lit bulb.**
- **Keep flammable materials away from lit bulb.**
- **Handling the brass parts of this product will expose you lead, a chemical known to the State of California to cause birth defects and other reproductive harm. Wash hands after handling.**

### Pre-assembly:

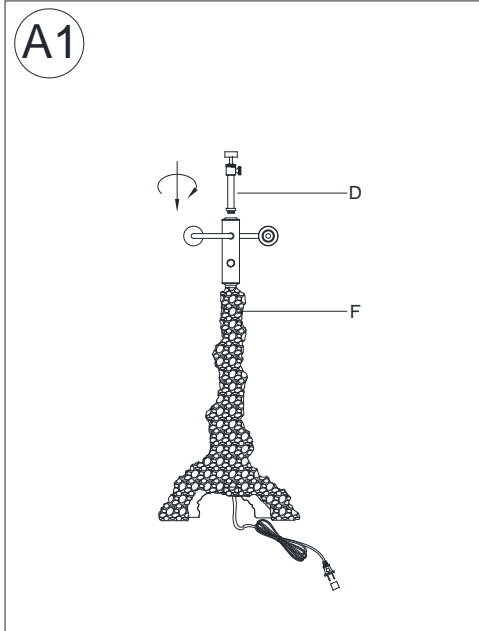
- Remove all parts and hardware from box along with any plastic protective packaging.
- Do not discard any contents until after assembly is complete to avoid accidentally discarding small parts or hardware.

### Parts Included:

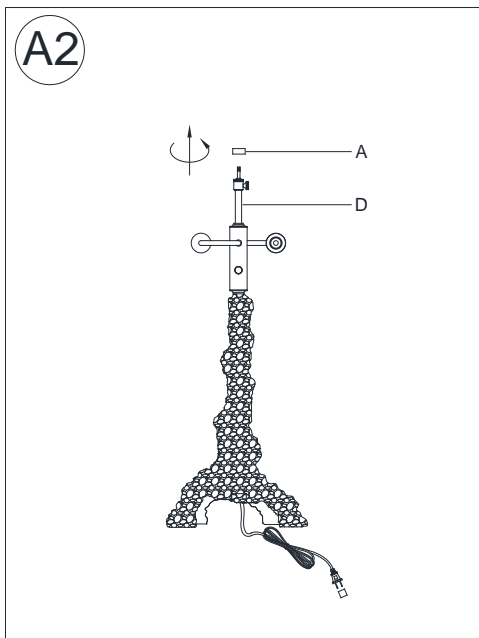
- (A) Finial (1)
- (B) Shade (1)
- (C) Riser Handle (1)
- (D) Riser (1)
- (E) Socket (2)
- (F) Fixture Body (1)



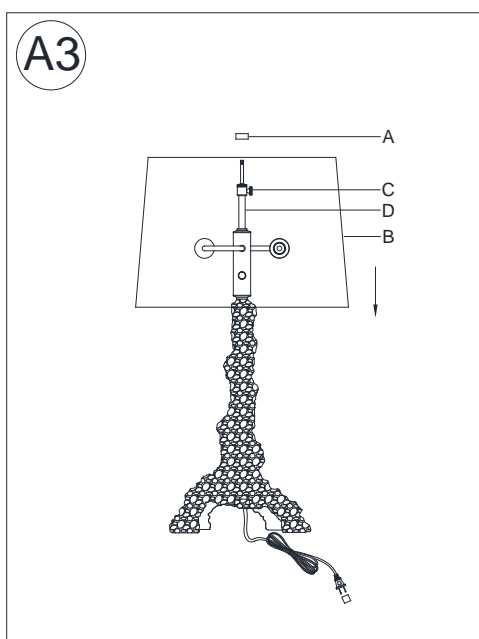
## To Assemble:



Thread the Riser (D) to the Fixture Body (F).

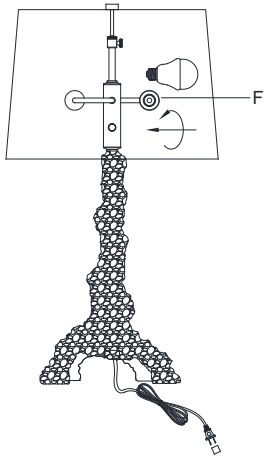


Unscrew the Finial (A) from the Riser (D).



1. Unscrew the Riser Handle (C) to get a desired height.
2. Place the shade (B) over the Riser (D).
3. Secure the Shade (B) by turning the Finial (A).

A4



Insert the specified light bulbs into the Socket (F).DO NOT EXCEED THE SPECIFIED WATTAGE.

**Care instructions:**

- Wipe clean with a soft, dry cloth or static duster.
- Always avoid the use of harsh chemicals or abrasive cleaners as they may cause damage to the fixture's finish

Thank you for your purchase

Stores | catalog | [www.williams-sonoma.com](http://www.williams-sonoma.com)

USA 1.877.812.6235