



## Savina Sconce

### Assembly Instructions

#### CAUTION:

- **BEFORE INSTALLING FIXTURE, MAKE SURE THE POWER TO THE CIRCUIT IS TURNED OFF AT THE MAIN FUSE BOX / CIRCUIT BREAKER UTILITY BOX.**

#### Important Safety Instructions:

- These instructions are provided for your safety. It is very important that they are read carefully and completely before beginning the assembly and installation of this lighting fixture
- We strongly recommend that a professional electrician install all direct wire fixtures.
- THIS PRODUCT MUST BE INSTALLED IN ACCORDANCE WITH THE APPLICABLE INSTALLATION CODES BY A PERSON FAMILIAR WITH THE CONSTRUCTION AND OPERATION OF THE PRODUCT AND THE HAZARDS INVOLVED.
- The lighting fixture is meant for indoor use. It must be connected only to 3-wire, single-phase electrical supply systems (provided with Ground wire or equivalent protection system).
- For your safety, it is strongly recommended that two people install the lighting fixture.
- This fixture has been rated for up to E26 one (1) **60-watt maximum TYPE B standard incandescent light bulb** (not included) or one (1) **13-watt compact fluorescent light bulb** (not included) or one (1) **9-watt SBLED light bulb** (not included). To avoid the risk of fire, do not exceed the recommended wattage.
- The lighting fixture is meant for indoor use, DRY LOCATIONS ONLY.
- **Save these instructions.**

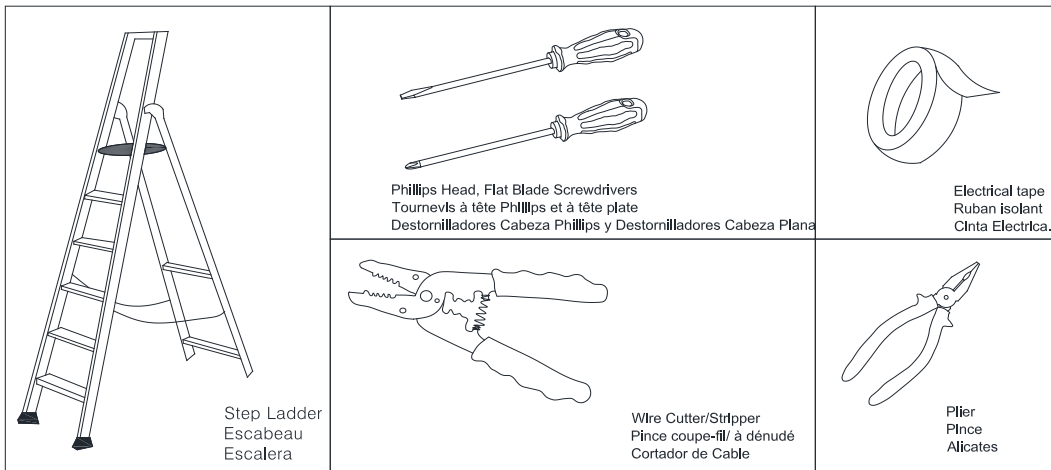
#### WARNING:

- **To reduce the risk of fire, electrical shock or personal injury, always turn off light fixture and allow it to cool prior to replacing light bulb.**
- **Do not touch bulb when fixture is turned on. Do not look directly at lit bulb.**
- **Keep flammable materials away from lit bulb.**
- **This lighting fixture contains lead, a chemical known to the State of California to cause cancer, birth defects and other reproductive harm. Wash hands after installing, handling, cleaning or otherwise touching this light fixture.**

#### Pre-assembly:

- Remove all parts and hardware from box along with any plastic protective packaging.
- Do not discard any contents until after assembly is complete to avoid accidentally discarding small parts or hardware.
- For your safety and convenience, assembly by two people is recommended.

**Tools Required: (not included):**

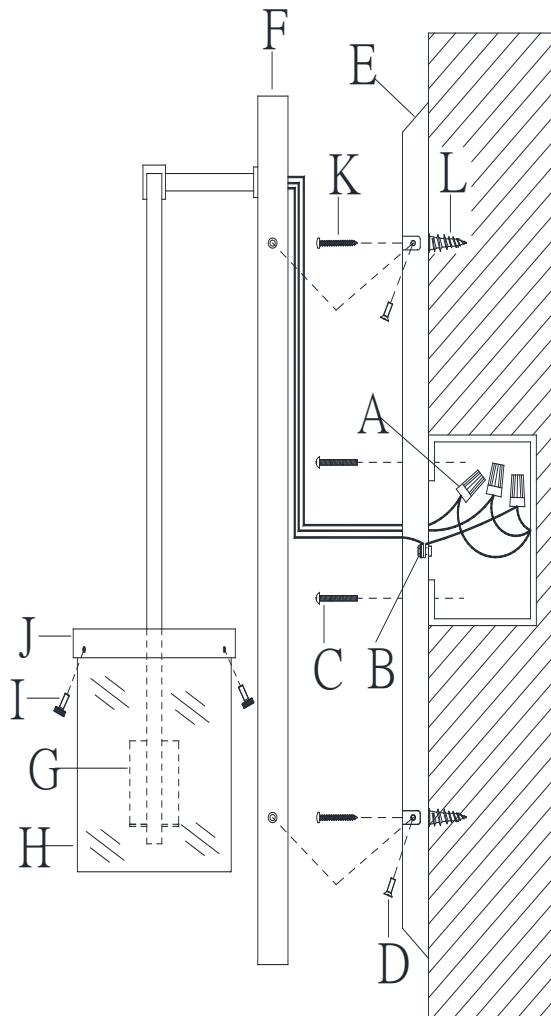








**Hardware Enclosed:**

- (A) Plastic Wire Nut Connectors (3)
- (B) Green Ground Screw (1)
- (C) Mounting Screws (2)
- (D) Canopy Screws (4)
- (K) Screws (2)
- (L) Metal Anchors (2)

**Parts Included:**

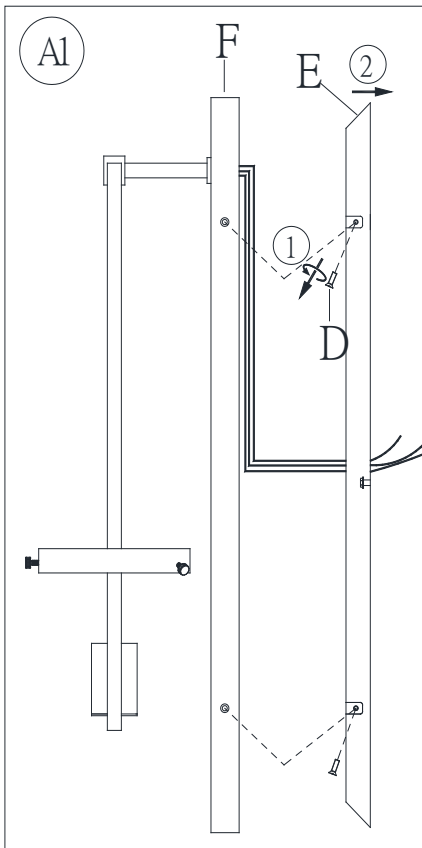
- (E) Mounting Plate (1)
- (F) Canopy (1)
- (G) Socket (1)
- (H) Glass Shade (1)
- (I) Set Screws (3)
- (J) Shade Holder (1)



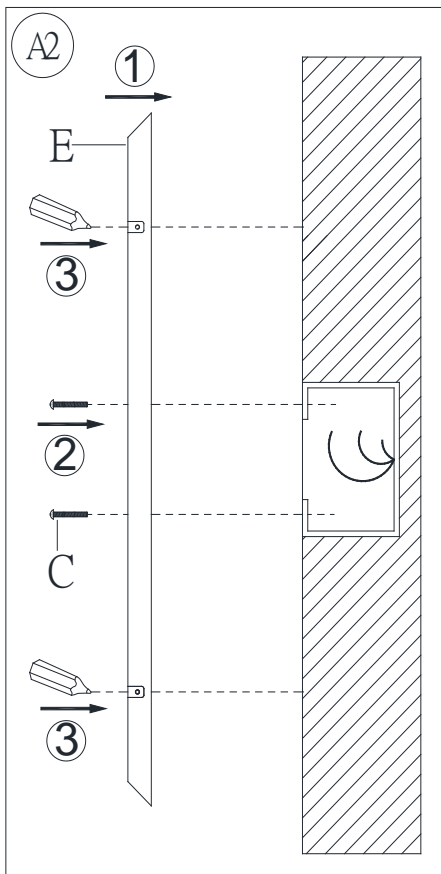
 <p>A 3X</p>	 <p>C 2X</p>	 <p>K 2X</p>
 <p>B 1X</p>	 <p>D 4X</p>	 <p>L 2X</p>

## Assembly Instructions

- **SHUT OFF THE MAIN ELECTRICAL SUPPLY FROM THE MAIN FUSE BOX/CIRCUIT BREAKER!**
- Carefully unpack all fixture parts and hardware and lay them on a clear workspace.

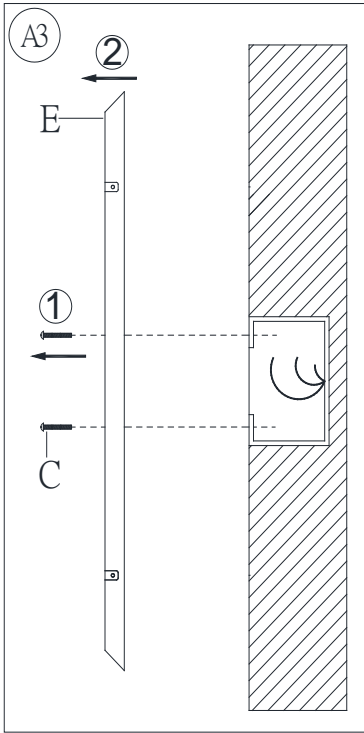


Separate the Mounting Plate (E) from the Canopy (F) by removing the 4 Canopy Screws (D). Do not discard the Canopy Screws (D) as these will be used later.

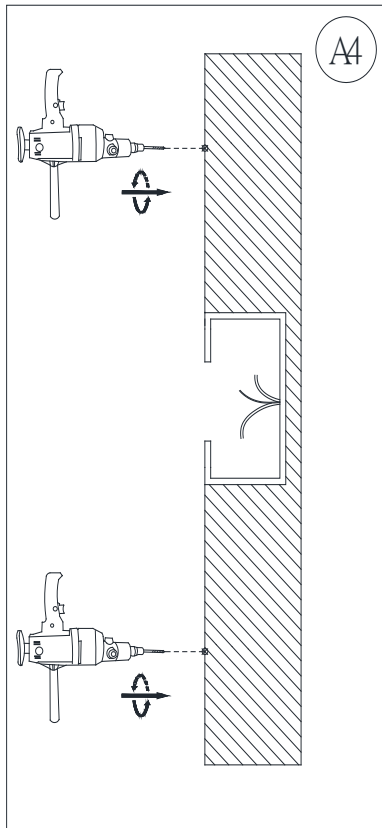


Determine the desired location of the light fixture and temporarily install the Mounting Plate (E) to the wall J-box using the 2 J-box Mounting Screws (C), insert and tighten each screw until the Mounting Plate (E) is firmly secured to the J-Box.

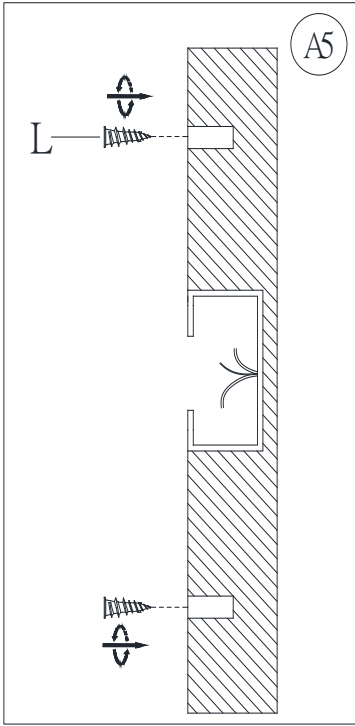
Mark the 2 round locations of the Mounting Plate (E) on the wall using a pencil.



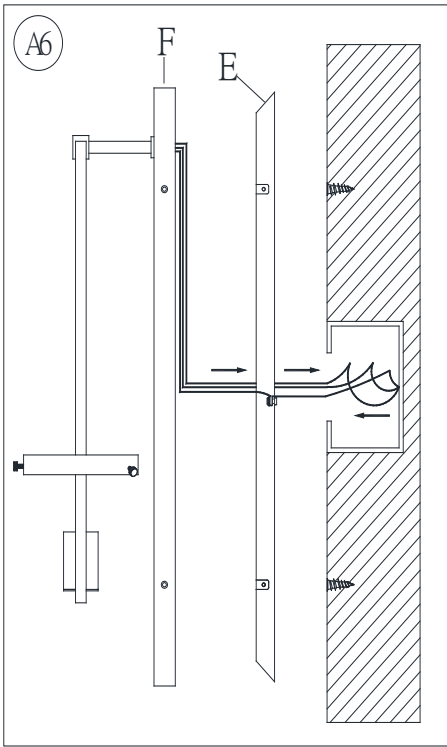
1. Un-install the Mounting Plate (E) from the marked wall outlet box location by loosening and removing the 2 J-box Mounting Screws (C) with a screwdriver.



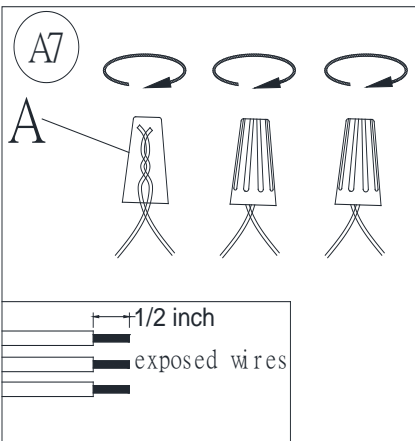
1. Using the drill with the appropriate size drill bit, drill 1 hole in the wall at each of the 2 marked round locations for the Metal Anchors (L).



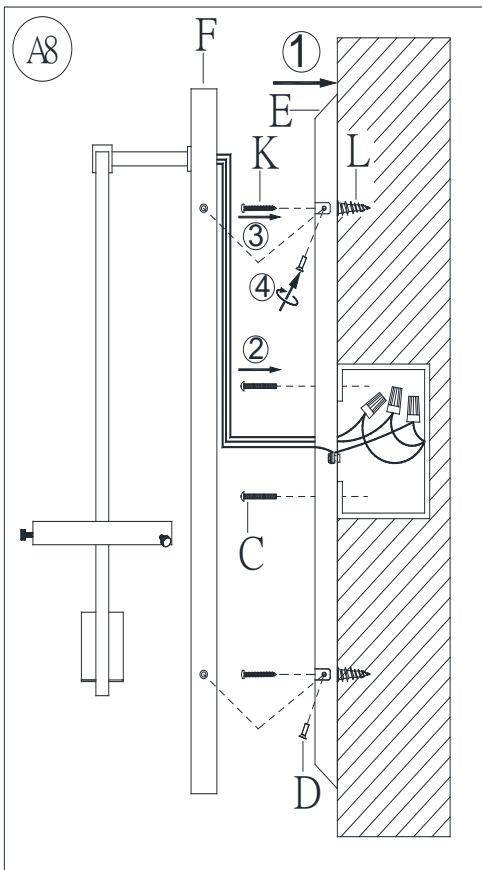
1. Insert the Metal Anchors (L) to the holes on the wall.



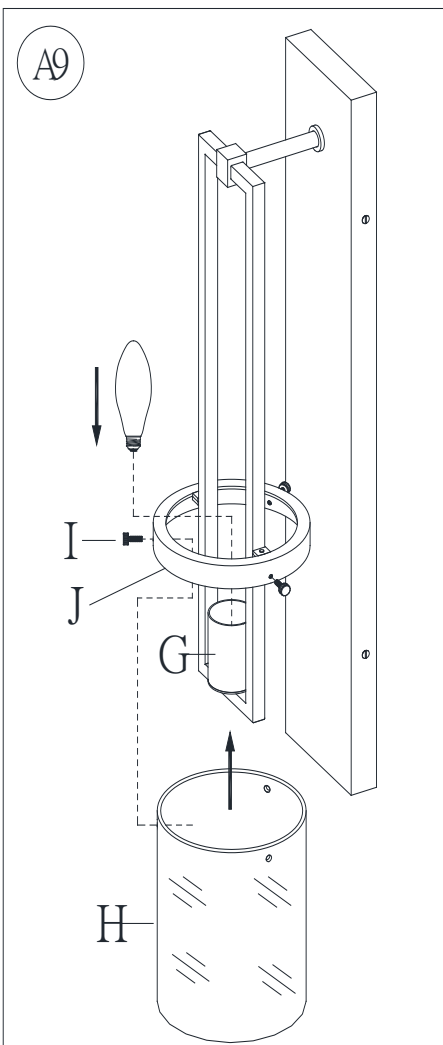
1. Feed the fixture power cord and bare ground wire through Mounting Plate (E).



Please read the section "To Make the Wire Connections" Below.



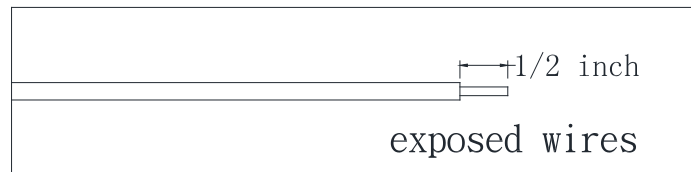
1. Attach the Mounting Plate (E) onto the wall junction box using Mounting Screws (C).
2. Screw the screws (K) to Metal Anchors (L).
3. Attach the Canopy (F) to the affixed Mounting Plate (E) and secure with Canopy Screws (D).



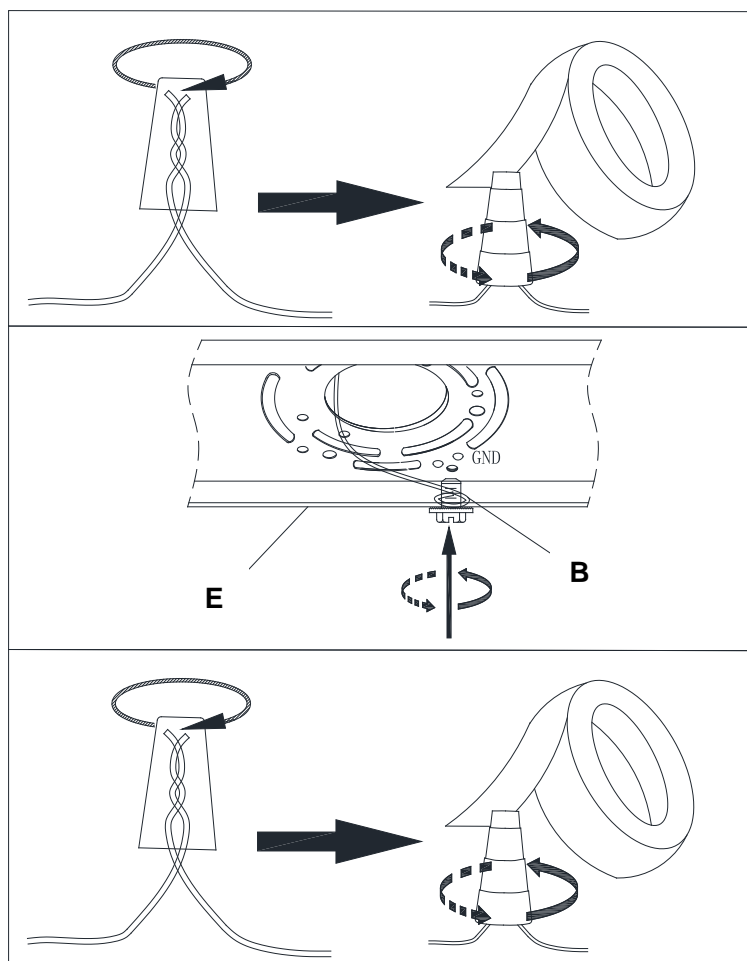
1. Insert the specified light bulb into the Socket (G).  
DO NOT EXCEED THE SPECIFIED WATTAGE.
2. Loosen the Set Screws (I) and attach the Glass Shade (H) to the Shade Holder (J) and tighten with Set Screws (I). Do not over-tighten.

## To Make the Wire Connections:

1. Gently pull the wiring from the junction box and allow wires to hang. The HOT or LIVE wire is usually black. The NEUTRAL wire is usually white. Check to see if there is a ground wire that is usually green or green with a yellow stripe or exposed copper metal wire. If needed, use a pair of wire strippers to remove about 1/2 inch of insulation from each wire.



2. Carefully inspect the fixtures wires. The NEUTRAL FIXTURE WIRE is White. The HOT FIXTURE WIRE is Black. The GROUND WIRE is green/yellow. If you have any doubt and cannot identify the power-supply wires with confidence, then we recommend that you ask an electrician and that you not continue with the installation.
3. With the help of another person to hold the weight of the fixture, attach the fixture wires to the junction box wires as shown in the illustrations.



Connect the GROUND FIXTURE WIRE to the GROUND J-BOX WIRE using the Plastic Wire Nut Connector (A) and wrap the connection with electrical tape. Be sure that no wire strands are exposed.

---

If the junction box DOES NOT have a GROUND WIRE, wrap the fixture's bare ground wire around the Green Ground Screw (B) and insert the screw into the Mounting Plate (E), marked as "GND", and tighten screw to secure the wire.

---

Connect the NEUTRAL FIXTURE WIRE to the NEUTRAL J-BOX WIRE first and then connect the HOT FIXTURE WIRE to the HOT J-BOX WIRE using the Plastic Wire Nut Connectors (A). Wrap these connections with electrical tape. Be sure that no wire strands are exposed.

### NOTE:

**IT IS IMPERATIVE THAT THE JUNCTION BOX IN YOUR HOME BE PROPERLY GROUNDED!  
DO NOT REVERSE THE HOT AND NEUTRAL CONNECTIONS OR SAFETY WILL BE COMPROMISED.**

4. Check the wiring connections and if all looks good, gently tuck the wire connections neatly into the junction box

### Care instructions:

- Wipe clean with a soft, dry cloth or static duster.
- Always avoid the use of harsh chemicals or abrasive cleaners as they may cause damage to the fixture's finish.

Thank you for your purchase

Stores | catalog | [www.williams-sonoma.com](http://www.williams-sonoma.com)

USA 1.877.812.6235

US/CN