

Cuisinart®

INSTRUCTION AND
RECIPE BOOKLET



Classic Waffle Maker

WMR-CA

For your safety and continued enjoyment of this product, always read the instruction book carefully before using.

TABLE OF CONTENTS

Important Safeguards	3
Instructions for Use	4
Special Features.....	4
Tips and Toppings	5
Recipes.....	5
Cleaning and Maintenance	8
Storage.....	8
Warranty	8

IMPORTANT SAFEGUARDS

When using an electrical appliance, basic safety precautions should always be followed, including the following:

- 1. READ ALL INSTRUCTIONS.**
2. Do not touch hot surfaces. Use handles and knobs.
3. To protect against fire, electrical shock, and injury to persons, **DO NOT IMMERSER CORD, PLUG, OR UNIT** in water or other liquids.
4. Close supervision is necessary when any appliance is used by or near children.
5. Unplug from outlet when not in use and before cleaning. Allow to cool before putting on or taking off parts, and before cleaning appliance.
6. Do not operate any appliance with a damaged cord or plug or after the appliance malfunctions or has been damaged in any manner. Return appliance to the nearest Cuisinart Authorized Service Facility for examination, repair, or adjustment.
7. The use of accessory attachments not recommended by Cuisinart may result in fire, electrical shock, or injury to persons.
8. Do not use outdoors.
9. Do not let power cord hang over edge of table or counter, or touch hot surfaces.
10. Do not place on or near a hot gas or electric burner, or in a heated oven.
11. Unplug the unit when finished baking waffles.
12. Do not use appliance for other than intended use.

13. Always attach plug to appliance first, then plug cord into the wall outlet. To disconnect, turn control to setting #1, then remove plug from the outlet.
14. Extreme caution must be used when moving an appliance containing hot oil or other hot liquids.
15. **WARNING: TO REDUCE THE RISK OF FIRE OR ELECTRIC SHOCK, REPAIR SHOULD BE DONE ONLY BY AUTHORIZED PERSONNEL. NO USER SERVICEABLE PARTS ARE INSIDE.**
16. Do not operate your appliance in an appliance garage or under a wall cabinet. **When storing in an appliance garage always unplug the unit from the electrical outlet.** Not doing so could create a risk of fire, especially if the appliance touches the walls of the garage or the door touches the unit as it closes.

SAVE THESE INSTRUCTIONS FOR HOUSEHOLD USE ONLY

SPECIAL CORD SET INSTRUCTIONS

A short power-supply cord is provided to reduce the risks resulting from becoming entangled in or tripping over a longer cord.

Longer extension cords are available and may be used if care is exercised in their use.

If a long extension cord is used, the marked electrical rating of the extension cord should be at least as great as the electrical rating of the appliance, and the longer cord should be arranged so that it will not drape over the countertop or tabletop where it can be pulled on by children or animals, or tripped over.

NOTICE:

This appliance has a polarized plug (one blade is wider than the other). To reduce the risk of electric shock, this plug will fit in a polarized outlet only one way. If the plug does not fit fully in the outlet, reverse the plug. If it still does not fit, contact a qualified electrician. Do not modify the plug in any way.

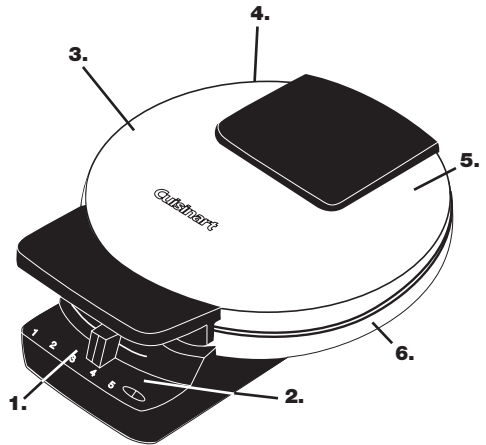
INSTRUCTIONS FOR USE

1. Before using your Cuisinart® Classic Waffle Maker for the first time, remove any dust from shipping by wiping the plates with a damp cloth. Remove all protective paper and wrapping.
2. Preheat the waffle. Close grids and plug cord into a 120V AC wall outlet. The red light will go on to signal power. Allow the waffle maker to preheat. The green indicator light will go on when it is ready to use.

Note: The first time you use your waffle maker, it may have a slight odor and may smoke a bit. This is normal, and common to appliances with a nonstick surface.

3. Pour batter when green indicator light goes on. Pour batter onto the center of the lower waffle grid. Use a heat-proof plastic spatula to spread batter evenly over the grids. Close the lid.
4. The green light will go off and the red light will once again illuminate. It may take several seconds for the red light to come on. This is normal.
5. Once the waffles are ready to eat, the green light will again come on.
6. Baking time is determined by browning level. Choose a setting on the browning control dial. We recommend using setting #3 for golden brown waffles.
7. Once the waffle is ready, remove it by gently loosening the edges with a heat-proof plastic spatula. Never use metal utensils, as they may damage the nonstick coating.
8. Always disconnect the plug from the wall outlet once baking is completed.

SPECIAL FEATURES



1. **Browning Control Adjustment**
 - five settings to customize waffle maker from light to deep golden brown
2. **Indicator Lights**
 - signal when waffle maker is ready to bake
 - signal when waffles are ready to eat
3. **Weighted Lid**
 - lid will not rise as waffles bake
4. **Rubber Feet**
 - will not mark countertop
 - keep unit steady
5. **Brushed Stainless Steel Covers**
6. **Cord Storage**
 - cord wraps under bottom for easy storage
7. **BPA-Free (not shown)**
 - All parts that come in contact with food are BPA-Free

Note: The Cuisinart® Classic Waffle Maker has been treated with a special nonstick coating. Before the first use, we suggest you season the grids with cooking spray or flavorless vegetable oil. If using oil, apply oil with a paper towel or pastry brush. You may find it helpful to repeat this process before each use of the waffle maker.

TIPS TO MAKE PERFECT WAFFLES

We recommend setting #3 for golden brown waffles.

If you prefer crisper, darker waffles, increase the browning control to setting #4 or 5.

For evenly filled waffles, pour the batter onto the center of the lower grid and close the cover.

We recommend using ½ cup batter per waffle for evenly filled waffles.

Waffles are best when made to order, but baked waffles may be kept warm in a 200°F oven. Place in a baking pan or wrap in foil while in the oven. Waffles wrapped in foil may lose their crispiness.

Baked waffles may be frozen. Allow to cool completely, then place in plastic food storage bag. Use waxed paper to keep waffles separated. Reheat in a toaster or toaster oven when ready to use.

SUGGESTED TOPPINGS

Maple syrup, fruit syrups

Warm fruit compote, fruit sauce

Fresh berries, chopped fruit, chopped nuts

Powdered sugar

Whipped cream, ice cream, sorbet

Chocolate sauce

Fruited yogurt

RECIPES

BASIC WAFFLES

You can't beat the taste of homemade waffles. Freeze the extras to use when time is scarce.

Makes eight 6½-inch round waffles

- 2 cups all-purpose flour
- 2 tablespoons sugar
- 1 tablespoon baking powder
- ½ teaspoon salt
- 1¾ cups reduced fat milk
- 6 tablespoons vegetable oil
- 2 large eggs

Place ingredients in a large mixing bowl and combine until well blended and smooth. Let batter sit 5 minutes before using. Preheat your Cuisinart® Classic Waffle Maker on setting #3 *(green indicator light will be illuminated when preheated).

Pour ½ cup batter onto the center of the lower grid; spread evenly using a heat-proof spatula. Close cover of waffle maker. Indicator light will turn red. When light turns green again, waffle is ready. Open cover and carefully remove baked waffle. Repeat with remaining batter. For best results, serve immediately. However, you may keep waffles warm in a 200°F oven until ready to serve.

* We recommend using setting #3 to achieve a golden brown baked waffle. Adjust the browning control if you prefer lighter or darker waffles.

Nutritional information per waffle:

*Calories 262 (44% from fat) • carb. 30g • pro. 7g
• fat 13g • sat. fat 2g • chol. 57mg • sod. 372mg
• calc. 177mg • fiber 1g*

For Mini-Chip Waffles:

Add ½ cup mini chocolate morsels to the batter before baking.

CORNMEAL WAFFLES

These waffles taste like cornbread. Drizzle with butter and serve with soup, chili or stew. Also good for brunch or a late night snack served with syrup or cheese sauce.

Makes eight 6½-inch round waffles

- 1¼ cups all-purpose flour
- ¾ cup yellow cornmeal
- 2 tablespoons sugar
- 1 tablespoon baking powder
- ½ teaspoon salt
- 1¾ cups reduced fat milk
- 6 tablespoons vegetable oil
- 2 large eggs

Place ingredients in a large mixing bowl and combine until well blended and smooth. Let batter sit 5 minutes before using. Preheat your Cuisinart® Classic Waffle Maker on setting #3 *(green indicator light will be illuminated when preheated).

Pour ½ cup batter onto the center of the lower grid; spread evenly using a heat-proof spatula. Close cover of waffle maker. Indicator light will turn red. When light turns green again, waffle is ready. Open cover and carefully remove baked waffle. Repeat with remaining batter. For best results, serve immediately. However, you may keep waffles warm in a 200°F oven until ready to serve.

* We recommend using setting #3 to achieve a golden brown baked waffle. Adjust the browning control if you prefer lighter or darker waffles.

Nutritional information per waffle:

Calories 264 (43% from fat) • carb. 32g • pro. 6g
• fat 13g • sat. fat 2g • chol. 57mg • sod. 372mg
• calc. 173mg • fiber 1g

NUTTY WHOLE WHEAT WAFFLES

Wholesome wheat flavor combined with crunchy pecans makes a delicious breakfast, brunch or snack. Top with warm fruit compote or syrup.

Makes eight 6½-inch round waffles

- 1½ cups all-purpose flour
- ½ cup whole wheat flour
- 2 tablespoons sugar
- 1 tablespoon baking powder
- ½ teaspoon salt
- 2 cups reduced fat milk
- 6 tablespoons vegetable oil
- 2 large eggs
- ½ cup finely chopped pecans, walnuts, almonds, or hazelnuts

Place ingredients in a large mixing bowl and combine until well blended and smooth. Let batter sit 5 minutes before using. Preheat your Cuisinart® Classic Waffle Maker on setting #3 *(green indicator light will be illuminated when preheated).

Pour ½ cup batter onto the center of the lower grid; spread evenly using a heat-proof spatula. Close cover of waffle maker. Indicator light will turn red. When light turns green again, waffle is ready. Open cover and carefully remove baked waffle. Repeat with remaining batter. For best results, serve immediately. However, you may keep waffles warm in a 200°F oven until ready to serve.

* We recommend using setting #3 to achieve a golden brown baked waffle. Adjust the browning control if you prefer lighter or darker waffles.

Nutritional information per waffle:

Calories 263 (44% from fat) • carb. 30g • pro. 7g
• fat 13g • sat. fat 2g • chol. 58mg • sod. 376mg
• calc. 187mg • fiber 1g

FRUITY WAFFLES

Puréed fruit adds lightness and delicate flavor to baked waffles.

Makes eight 6½-inch round waffles

- 2 cups all-purpose flour
- 2 tablespoons sugar
- 1 tablespoon baking powder
- ½ teaspoon salt
- 1¾ cups reduced fat milk
- 6 tablespoons vegetable oil
- 2 large eggs
- ½ cup puréed fruit* or applesauce (use fresh or frozen)

Place ingredients in a large mixing bowl and combine until well blended and smooth. Let batter sit 5 minutes before using. Preheat your Cuisinart® Classic Waffle Maker on setting #3 *(green indicator light will be illuminated when preheated).

Pour a scant ½ cup batter onto the center of the lower grid; spread evenly using a heat-proof spatula. Close cover of waffle maker. Indicator light will turn red. When light turns green again, waffle is ready. Open cover and carefully remove baked waffle. Repeat with remaining batter. For best results, serve immediately. However, you may keep waffles warm in a 200°F oven until ready to serve.

* We recommend using setting #3 to achieve a golden brown baked waffle. Adjust the browning control if you prefer lighter or darker waffles.

Nutritional information per waffle:

Calories 268 (43% from fat) • carb. 32g • pro. 7g
• fat 13g • sat. fat 2g • chol. 57mg • sod. 371mg
• calc. 175mg • fiber 1g

* May use puréed apricots, peaches, pears, plums, or strawberries.

BANANA CHIP WAFFLES

Sprinkle with powdered sugar for breakfast or top with a scoop of ice cream for an afternoon snack.

Makes eight 6½-inch round waffles

- 2 cups all-purpose flour
- 2 tablespoons sugar
- 1 tablespoon baking powder
- ½ teaspoon salt
- 1⅔ cups reduced fat milk
- 1 medium banana, mashed (1/2 cup)
- 6 tablespoons vegetable oil
- 2 large eggs
- ½ cup mini chocolate chips

Place ingredients (except chocolate chips) in a large mixing bowl and combine until well blended and smooth. Let batter sit 5 minutes before using. Preheat your Cuisinart® Classic Waffle Maker on setting #3 *(green indicator light will be illuminated when preheated).

Pour ½ cup batter onto the center of the lower grid; spread evenly using a heat-proof spatula. Sprinkle 1 tablespoon of minichips over batter. Allow batter to bubble for 5-10 seconds, then close cover of waffle maker. Indicator light will turn red. When light turns green again, waffle is ready. Open cover and carefully remove baked waffle. Repeat with remaining batter. For best results, serve immediately. However, you may keep waffles warm in a 200°F oven until ready to serve.

* We recommend using setting #3 to achieve a golden brown baked waffle. Adjust the browning control if you prefer lighter or darker waffles.

Nutritional information per waffle:

Calories 334 (45% from fat) • carb. 39g • pro. 6g
• fat 17g • sat. fat 4g • chol. 57mg • sod. 371mg
• calc. 174mg • fiber 3g

* For Banana Nut Waffles:

Omit mini chocolate morsels. Add 1/2 cup chopped nuts (walnuts, pecans, almonds) to batter before baking.

CLEANING AND MAINTENANCE

Once you have finished baking, remove plug from electrical outlet. Leave top lid open so grids begin to cool.

Never take your waffle maker apart for cleaning. Simply brush crumbs from grooves, and absorb any excess cooking oil by wiping with a dry cloth or paper towel.

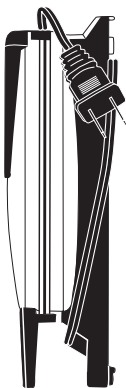
You may clean the grids by wiping with a damp cloth to prevent staining and sticking from batter or oil buildup. **Be certain grids have cooled completely before cleaning.** If batter adheres to plates, simply pour a little cooking oil onto the baked batter and let stand approximately 5 minutes, thus allowing it to soften for easy removal.

To clean exterior, wipe with a soft dry cloth. Never use an abrasive cleanser or harsh pad. NEVER IMMERSE CORD, PLUG OR UNIT IN WATER OR OTHER LIQUID.

Any other servicing should be performed by an authorized service representative

STORAGE

Store with cord wrapped securely around base. Plug prongs fit into the special grooves on the side of the waffle maker. For compact storage, stand waffle maker on opening end so Cuisinart logo is facing you. The waffle maker has been designed with a special latching feature so the lid stays closed during storage.



WARRANTY

Limited Three-Year Warranty

This warranty is available to consumers only. You are a consumer if you own a Cuisinart® Classic Waffle Maker which was purchased at retail for personal, family or household use. Except as otherwise required under applicable law, this warranty is not available to retailers or other commercial purchasers or owners.

We warrant that your Cuisinart® Classic Waffle Maker will be free of defects in materials and workmanship under normal home use for 3 years from the date of original purchase.

We recommend that you visit our website, www.cuisinart.com for a fast, efficient way to complete your product registration. However, product registration does not eliminate the need for the consumer to maintain the original proof of purchase in order to obtain the warranty benefits. In the event that you do not have proof of purchase date, the purchase date for purposes of this warranty will be the date of manufacture.

If your Cuisinart® Classic Waffle Maker should prove to be defective within the warranty period, we will repair (or, if we think necessary, replace) it without charge to you. To obtain warranty service, please call our Customer Service Center toll-free at 1-800-726-0190 or write to: Cuisinart, 7475 North Glen Harbor Blvd., Glendale, AZ 85307.

To facilitate the speed and accuracy of your return, enclose \$10.00 for shipping and handling. (California residents need only supply a proof of purchase and should call 1-800-726-0190 for shipping instructions.) Please be sure to include your return address, description of the product's defect, product serial number, and any other information pertinent to the return. Please pay by check or money order.

CALIFORNIA RESIDENTS ONLY

California law provides that for In-Warranty Service, California residents have the option of returning a nonconforming product (A) to the store where it was purchased or (B) to another retail store that sells Cuisinart® products of the same type. The retail store shall then, according to its preference, either repair the product, refer the consumer to an independent repair

facility, replace the product, or refund the purchase price less the amount directly attributable to the consumer's prior usage of the product. If neither of the above two options results in the appropriate relief to the consumer, the consumer may then take the product to an independent repair facility, if service or repair can be economically accomplished. Cuisinart and not the consumer will be responsible for the reasonable cost of such service, repair, replacement, or refund for nonconforming products under warranty. California residents may also, according to their preference, return nonconforming products directly to Cuisinart for repair or, if necessary, replacement by calling our Consumer Service Center toll-free at 800-726-0190. Cuisinart will be responsible for the cost of the repair, replacement, and shipping and handling for such nonconforming products under warranty.

BEFORE RETURNING YOUR CUISINART® PRODUCT

If your Cuisinart® Classic Waffle Maker should prove to be defective within the warranty period, we will repair or, if we think necessary, replace it. To obtain warranty service, please call our Customer Service Center toll-free at 1-800-726-0190 or write to: Cuisinart, 7475 North Glen Harbor Blvd. Glendale, AZ 85307. To facilitate the speed and accuracy of your return, enclose \$10.00 for shipping and handling. (California residents need only supply a proof of purchase and should call 1-800-726-0190 for shipping instructions.) Please be sure to include your return address, description of the product's defect, product serial number, and any other information pertinent to the return. Please pay by check or money order. NOTE: For added protection and secure handling of any Cuisinart® product that is being returned, we recommend you use a traceable, insured delivery service. Cuisinart cannot be held responsible for in-transit damage or for packages that are not delivered to us. Lost and/or damaged products are not covered under warranty.

Your Cuisinart® Classic Waffle Maker has been manufactured to the strictest specifications and has been designed for use only in 120 volt outlets and only with authorized accessories and replacement parts. This warranty expressly excludes any defects or damages caused by attempted use of this unit with a converter, as

well as use with accessories, replacement parts or repair service other than those authorized by Cuisinart. This warranty does not cover any damage caused by accident, misuse, shipment or other than ordinary household use. This warranty excludes all incidental or consequential damages. Some states do not allow the exclusion or limitation of these damages, so these exclusions may not apply to you. You may also have other rights, which vary from state to state.

Important: If the nonconforming product is to be serviced by someone other than Cuisinart's Authorized Service Center, please remind the servicer to call our Consumer Service Center at 1-800-726-0190 to ensure that the problem is properly diagnosed, the product is serviced with the correct parts, and to ensure that the product is still under warranty.

©2013 Cuisinart

150 Milford Road
East Windsor, NJ 08520
Printed in China

13CE145360

Any other trademarks or service marks referred to herein are
the trademarks or service marks of their respective owners.

E IB-4006-ESP

Todas marcas registradas o marcas de comercio
mencionadas en esta pertenecen a sus titulares
respectivos.

E IB-4006-ESP

13CE145360

150 Milford Road
East Windsor, NJ 08520
Impreso en la China

©2013 Cuisinart

periodo de garantía. Los residentes de California también pueden, si lo desean, mandar el producto defectuoso directamente a Cuisinart para que lo reparen o lo cambien. Para esto, se debe llamar a nuestro servicio posventa al 1-800-726-0190.

Para obtener servicio bajo esta garantía, llame a nuestra línea gratuita al 1-800-726-0190. Cuisinart será responsable por los gastos de reparación, reemplazo, manejo y envío de los productos defectuosos durante el periodo de garantía.

ANTES DE HACER REPARAR SU APARATO

Importante: si debe llevar el aparato defectuoso a un centro de servicio no autorizado, por favor informe al personal del centro de servicio que deberán llamar al servicio posventa de Cuisinart al 1-800-726-0190 a fin de diagnosticar el problema correctamente, usar las piezas correctas para repararlo y asegurarse de que el producto esté bajo garantía.

Si este aparato presentara algún defecto de materiales o fabricación durante el periodo de garantía, lo repararemos o reemplazaremos (a nuestra opción). Para obtener servicio bajo esta garantía, llame a nuestra línea directa gratuita al 1-800-726-0190 o regrese el aparato defectuoso a: Cuisinart, 7475 North Glen Harbor Blvd., Glendale, AZ 85307. Regrese el aparato defectuoso, junto con su recibo de compra y un cheque o giro postal de US\$10.00 por gastos de manejo y envío. Los residentes de California sólo necesitan dar una prueba de compra y deben llamar al 1-800-726-0190 para recibir instrucciones de envío. Recuerde incluir su nombre, dirección y teléfono, la descripción del problema, así como cualquier información pertinente. Sentimos no poder aceptar otras formas de pago. **NOTA:** Para mayor seguridad, le aconsejamos que mande su paquete por un método de entrega con seguro y seguimiento. Cuisinart no será responsable por los daños ocurridos durante el transporte o por los paquetes mandados a una dirección equivocada. Los productos perdidos y/o lastimados durante el envío no serán cubiertos bajo esta garantía.

Este aparato satisface las más altas exigencias de fabricación y ha sido diseñado para uso sobre corriente de 120V, usando accesorios y piezas de repuesto autorizados solamente. Esta garantía excluye expresamente los daños causados por accesorios, piezas o reparaciones no autorizados por Cuisinart, así como los daños causados por el uso de un convertidor de voltaje. Esta garantía no cubre el uso institucional o comercial del producto, y no es válida en caso de daños causados por mal uso,

negligencia o accidente. Esta garantía excluye expresamente todos los daños incidentales o consecuentes. Algunos Estados no permiten la exclusión o limitación de daños incidentales o consecuentes, de modo que las limitaciones mencionadas pueden no regir para usted. Usted puede tener otros derechos que varían de un Estado a otro.

LIMPIEZA Y MANTENIMIENTO

Desenchufe el aparato después del uso. Deje la cubierta abierta para permitir que se enfríe.

Nunca desarme el aparato para limpiarlo.

Simplemente elimine los residuos de las placas con una brocha y absorbe el aceite con un

papel absorbente o un paño seco.

Limpie las placas con un paño ligeramente

húmedo, si desea, para eliminar y prevenir

las manchas y los residuos pegajosos.

Compruebe que las placas están completamente frías antes de limpiarlas.

Si hay mezcla pegada sobre las placas, vierta un poco de aceite encima y espere durante

aproximadamente 5 minutos. Esto removerá la

mezcla seca para facilitar la limpieza.

Limpie el cuerpo del aparato con un paño

suave seco. Nunca utilice limpiadores

abrasivos ni estropajos metálicos. NUNCA

APARATO EN AGUA U OTRO LÍQUIDO.

Cualquier otro servicio debe ser realizado por un técnico autorizado.

ALMACENAJE

Enrolle el cable debajo del aparato. Las patas de la

clavija encajan en las ranuras

especiales en el costado del

aparato. Guarde el aparato en

posición vertical para ahorrar

espacio. Un cierre en la

cubierta mantendrá las placas

bien cerradas.

GARANTÍA

Garantía limitada de tres años

Esta garantía es para los consumidores

solamente.

Usted es un consumidor si ha comprado su

aparato Cuisinart® en una tienda, para uso

personal o casero. A excepción de los estados donde la ley lo permita, esta garantía no es para los detallistas u otros comerciantes.

La ley del estado de California ofrece dos opciones bajo el período de garantía. Los residentes del estado de California pueden (A) regresar el producto defectuoso a la tienda donde lo compraron o (B) a otra tienda que venda productos Cuisinart® de este tipo. La tienda, a su opción, reparará el producto, referirá el consumidor a un centro de servicio independiente, cambiará el producto o reembolsará el consumidor por el precio original del producto, menos la cantidad imputable al uso del producto por el consumidor hasta que éste se dañe. Si estas dos opciones no satisficieren al consumidor, podrá llevar el aparato a un centro de servicio independiente, siempre que se pueda ajustar o reparar el aparato de manera económica. Cuisinart será responsable por los gastos de servicio, reparación, reemplazo o reembolso de los productos defectuosos durante el

RESIDENTES DE CALIFORNIA SOLAMENTE

Harbor Blvd. Glendale, AZ 85307. Regrese el aparato defectuoso, junto con su recibo de compra y un cheque o giro postal de US\$10.00 por gastos de manejo y envío. Los residentes de California sólo necesitan dar una prueba de compra y deben llamar al 1-800-726-0190 para recibir instrucciones de envío. Recuerde incluir su nombre, dirección y teléfono, la descripción del problema, así como cualquier información pertinente. Sentimos no poder aceptar otras formas de pago.

Le aconsejamos que llene el formulario de registro disponible en www.cuisinart.com a fin de facilitar la verificación de la fecha de compra original. Sin embargo, registrar el producto no es necesario para recibir servicio bajo esta garantía. En ausencia del recibo de compra, el período de garantía será calculado a partir de la fecha de fabricación. Si este aparato presentara algún defecto de materiales o fabricación durante el período de garantía, la repararemos o reemplazaremos (a nuestra opción). Para obtener servicio bajo esta garantía, llame a nuestra línea directa gratuita al 1-800-726-0190 o regrese el aparato defectuoso a: Cuisinart, 7475 North Glen Harbor Blvd. Glendale, AZ 85307.

Cuisinart garantiza este aparato contra todo defecto de materiales o fabricación durante 3 años después de la fecha de compra original, siempre que el aparato haya sido utilizado para uso doméstico y según las instrucciones.

el horno (precalentado en 100°C/200°F) hasta el momento de servir.

* Para preparar gótfres/wátfles bien dorados, le aconsejamos que utilice el nivel 3. Escoja un nivel más bajo para que los gótfres sean menos cocido o un nivel más alto para que los gótfres sean más cocidos y crujientes.

Información nutricional por gótfre/wátfle:

- Calorías 334 (45 % de grasa) • Carbohidratos 39 g
- Proteínas 6 g • Grasa 17 g • Grasa saturada 4 g
- Colesterol 57 mg • Sodio 371 mg
- Calcio 174 mg • Fibra 3 g

* Para preparar gótfres/wátfles de banano con nueces:

Omitir las mini-chispas de chocolate. Agregar ½ taza (50 g) de nueces picadas (nueces, pacanas, almendras) a la mezcla antes de cocer.

ménos cocido o un nivel más alto para que los gófres sean más cocidos y crujientes.

Información nutricional por gófre/waffle:

Calorías 263 (44 % de grasa) • Carbohidratos 30 g
• Proteínas 7 g • Grasa 13 g • Grasa saturada 2 g

• Colesterol 58 mg • Sodio 376 mg

• Calcio 187 mg • Fibra 1 g

GOFRES/WAFLES CON SABOR A FRUTAS

El puré de frutas hace que los gófres/waffles estén más ligeros y le da un sabor delicado.

Cantidad: 8 gófres/waffles

2 tazas (250 g) de harina común

2 cucharadas de azúcar granulado

1 cucharada de polvo de hornear

½ cucharadita de sal

¾ taza (415 ml) de leche baja en grasa

6 cucharadas de aceite vegetal

2 huevos grandes

½ taza (120 ml) de puré de frutas**

(preparado con frutas frescas o congeladas) o de comota de manzana

Combinar los ingredientes en un tazón grande y revolver hasta obtener una mezcla homogénea.

Dejar reposar durante 5 minutos antes de usar.

Precalentar el aparato al nivel de temperatura no. 3.

*El indicador luminoso verde se encenderá cuando el aparato llegue a la temperatura deseada.

Verter ½ taza (120 ml) de la mezcla en el centro de la placa inferior, y esparcirla con una espátula a prueba de calor. Cerrar la cubierta.

El indicador luminoso rojo se enciende. Cuando la luz verde se enciende, el aparato está listo. Abrir la cubierta y sacar los gófres/waffles con cuidado. Repetir con el resto de la mezcla. Servir inmediatamente. También puede mantener los gófres/waffles calientes en el horno (precalentado en 100°C/200°F) hasta el momento de servir.

* Para preparar gófres/waffles bien dorados, le aconsejamos que utilice el nivel 3. Escoja un

nivel más bajo para que los gófres sean menos cocido o un nivel más alto para que los gófres sean más cocidos y crujientes.

Información nutricional por gófre/waffle:

Calorías 268 (43% de grasa) • Carbohidratos 32 g
• Proteínas 7 g • Grasa 13 g • Grasa saturada 2 g

• Colesterol 57 mg • Sodio 371 mg

• Calcio 175 mg • Fibra 1 g

** Por ej. albaricokes, duraznos, peras, ciruelas o fresas.

GOFRES/WAFLES DE BANANO Y CHOCOLATE

Sirvalos con azúcar glasé para el desayuno o con una cucharada de helado para la merienda.

Cantidad: 8 gófres/waffles

2 tazas (250 g) de harina común

2 cucharadas de azúcar granulado

1 cucharada de polvo de hornear

½ cucharadita de sal

1½ taza (415 ml) de leche baja en grasa

1 banano mediano, aplastado

6 cucharadas de aceite vegetal

2 huevos grandes

½ taza (85 g) de mini-chispas de chocolate

Combinar los ingredientes, excepto el chocolate, en un tazón grande y revolver hasta obtener una mezcla homogénea. Dejar reposar durante 5 minutos antes de usar. Precalentar el aparato al nivel de temperatura no. 3.* El indicador luminoso verde se encenderá cuando el aparato llegue a la temperatura deseada.

Verter ½ taza (120 ml) de la mezcla en el centro de la placa inferior, y esparcirla con una espátula a prueba de calor. Esparcir 1 cucharada de mini-chispas de chocolate sobre la mezcla. Esperar 5–10 segundos, hasta que aparezcan burbujas en la mezcla, antes de cerrar la cubierta. El indicador luminoso rojo se enciende. Cuando la luz verde se enciende, el aparato está listo. Abrir la cubierta y sacar los gófres/waffles con cuidado. Repetir con el resto de la mezcla. Servir inmediatamente. También puede mantener los gófres/waffles calientes en el horno (precalentado en 100°C/200°F) hasta el momento de servir.

Información nutricional por galleta/waffle:
 Calorías 264 (43% de grasa) • Carbohidratos 32 g
 • Proteínas 6 g • Grasa 13 g • Grasa saturada 2 g
 • Colesterol 57 mg • Sodio 372 mg
 • Calcio 109 mg • Fibra 1 g

GOFRES DE TRIGO INTEGRAL Y NUECES

Estos crujientes gófres/waffles con sabor a trigo integral son muy saludables y perfectos para el desayuno-almuerzo o en cualquier momento del día. Sirvalos con jàrabe o compota de fruta caliente.

Cantidad: 8 gófres/waffles

1½ taza (185 g) de harina común
 ½ taza (60 g) de harina de trigo integral
 2 cucharadas de azúcar granulado
 1 cucharada de polvo de hornear
 1/2 cucharadita de sal
 2 tazas (475 ml) de leche baja en grasa
 6 cucharadas de aceite vegetal
 2 nuevos grandes
 ½ taza (200 g) de pacanas, nueces,
 almendras o avellanas finamente picadas

Combinar los ingredientes en un tazón grande y revolver hasta obtener una mezcla homogénea. Dejar reposar durante 5 minutos antes de usar. Elegir nivel de temperatura no. 3 y precalentar la gofrera.
 *El indicador luminoso verde se encenderà cuando el aparato llegue a la temperatura deseada.
 Verter ½ taza (120 ml) de la mezcla en el centro de la placa inferior, y esparcirla con una espátula a prueba de calor. Cerrar la cubierta. El indicador luminoso rojo se encenderà. Cuando la luz verde se enciende, el aparato està listo. Abrir la cubierta y sacar los gófres/waffles con cuidado. Repetir con el resto de la mezcla. Servir inmediatamente. También puede mantener los gófres/waffles calientes en el horno (precalentado en 100°C/200°F) hasta el momento de servir.

*Para preparar gófres/waffles bien dorados, le aconsejamos que utilice el nivel 3. Escoga un nivel más bajo para que los gófres sean

Para preparar gófres/waffles con mini-chispas de chocolate:
 Agregar ½ taza (85 g) de mini-chispas de chocolate a la mezcla antes de cocer.

GOFRES/WAFFLES DE HARINA DE MAÍZ

Estos gófres/waffles saben a pan de maíz. Úntelos con mantequilla y sirvalos con sopa, chile o guisado. También son perfectos para el desayuno-almuerzo o un bocadillo nocturno, con jàrabe o salsa de queso.

Cantidad: 8 gófres/waffles

1¼ taza (155 g) de harina común
 ¾ taza (90 g) de harina de maíz amarilla
 2 cucharadas de azúcar granulado
 1 cucharada de polvo de hornear
 ½ cucharadita de sal
 1¾ taza (415 ml) de leche baja en grasa
 6 cucharadas de aceite vegetal
 2 nuevos grandes

Combinar los ingredientes en un tazón grande y revolver hasta obtener una mezcla homogénea. Dejar reposar durante 5 minutos antes de usar. Precalentar el aparato al nivel de temperatura no. 3.

*El indicador luminoso verde se encenderà cuando el aparato llegue a la temperatura deseada.

Verter ½ taza (120 ml) de la mezcla en el centro de la placa inferior, y esparcirla con una espátula a prueba de calor. Cerrar la cubierta. El indicador luminoso rojo se encenderà. Cuando la luz verde se enciende, el aparato està listo. Abrir la cubierta y sacar los gófres/waffles con cuidado. Repetir con el resto de la mezcla. Servir inmediatamente. También puede mantener los gófres/waffles calientes en el horno (precalentado en 100°C/200°F) hasta el momento de servir.

*Para preparar gófres/waffles bien dorados, le aconsejamos que utilice el nivel 3. Escoga un nivel más bajo para que los gófres sean menos cocido o un nivel más alto para que los gófres sean más cocidos y crujientes.

RECETAS

GOFRES/WAFLES BÁSICOS

El sabor de los gofres/waffles caseros es incomparable. Congele las sobras para los días de prisa.

Cantidad: 8 gofres/waffles

2	tazas (250 g) de harina común
2	cucharadas de azúcar granulada
1	cucharadita de polvo de hornear
1/2	cucharadita de sal
1 3/4	taza (415 ml) de leche baja en grasa
6	cucharadas de aceite vegetal
2	huevos grandes

Combinar los ingredientes en un tazón grande y revolver hasta obtener una mezcla homogénea. Dejar reposar durante 5 minutos antes de usar. Precalentar el aparato al nivel de temperatura no. 3.

*El indicador luminoso verde se encenderá cuando el aparato llegue a la temperatura deseada.

Verter 1/2 taza (120 ml) de la mezcla en el

centro de la placa inferior, y esparcirla con una espátula a prueba de calor. Cerrar la cubierta. El indicador luminoso rojo se encenderá. Cuando la luz verde se enciende, el aparato está listo. Abrir la cubierta y sacar los gofres/waffles con cuidado. Repetir con el resto de la mezcla. Servir inmediatamente. También puede mantener los gofres/waffles calientes en el horno (precalentado en 100°C/200°F) hasta el momento de servir.

* Para preparar gofres/waffles bien dorados, le aconsejamos que utilice el nivel 3. Escija un nivel más bajo para que los gofres sean menos cocido o un nivel más alto para que los gofres sean más cocidos y crujientes.

Información nutricional por gofre/waffle:

- Calorías 262 (44% de grasa) • Carbohidratos 30 g
- Proteínas 7 g • Grasa 13 g • Grasa saturada 2 g
- Colesterol 57 mg • Sodio 372 mg
- Calcio 177 mg • Fibra 1 g

CONSEJOS PARA PREPARAR GOFRES PERFECTOS

Para preparar gofres/waffles bien dorados, le aconsejamos que utilice el nivel 3.

Para que los gofres/waffles sean más crujientes y cocidos, escoja un ajuste más alto.

Para conseguir resultados homogéneos, vierta la mezcla en el centro de la placa y cierre las

placas inmediatamente.

Le aconsejamos que utilice 1/2 taza (120 ml) de mezcla por gofre/waffle para conseguir gofres/waffles bien rellenos.

Los gofres/waffles son mejores recién hechos.

Sin embargo, podrá mantenerlos calientes

en un horno precalentado en 100°C (200°F).

adentro de un molde o envueltos en papel de

aluminio. Nota: los gofres envueltos en papel

de aluminio serán menos crujientes.

Los gofres se congelan muy bien. Permita

que se enfríen, luego dóngalos en una bolsa

hermética, entre hojas de papel encerado.

Recalientelos en el horno o en la tostadora.

ADREZOS

Jarabe de arce o de fruta

Comota o salsa de fruta tibia

Frutas del bosque, frutas picadas, frutos secos

picados

Azúcar glasé

Crema batida, helado, sorbete

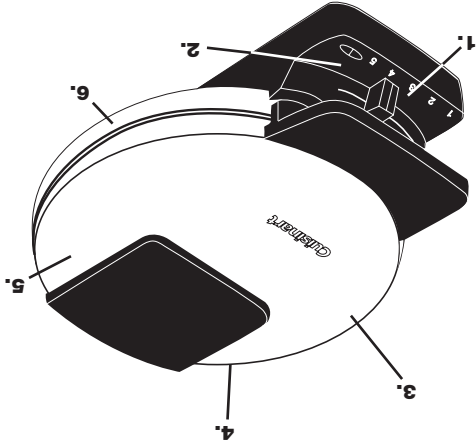
Salsa de chocolate

Yogur de fruta

INSTRUCCIONES DE USO

1. Antes de usar el aparato por primera vez, limpie las placas con un paño ligeramente húmedo para quitar el polvo acumulado durante el transporte. Retire el material de embalaje y protección.
2. Precaliente el aparato. Cierre las placas y enchufe en cable en una toma de corriente de 120V C.A. La luz roja se encenderá, lo que indica que el aparato está calentando. Permita que las placas calienten. La luz verde de listo se encenderá cuando esté listo.
- Nota:** Puede que el aparato produzca humo un ligero olor a quemado la primera vez que use. Esto es normal.
3. Cuando la luz verde se enciende, vierta la mezcla en el centro de la placa inferior. Esparza la mezcla uniformemente sobre la placa, usando una espátula a prueba de calor. Cierre la cubierta.
4. La luz verde se apagará, pero la luz roja se encenderá otra vez. Puede tomar varios segundos para que la luz roja se enciende. Esto es normal.
5. Cuando los gofres/waffles estén listos, la luz verde se iluminará.
6. El ajuste de temperatura elegido determinará el tiempo de cocción. Elija el nivel de temperatura deseado Para preparar gofres/waffles bien dorados, le aconsejamos que utilice el ajuste no. 3.
7. Cuando el gofre/waffle esté listo, retírelo, soñando los bordes con una espátula a prueba de calor. Nunca utilice utensilios de metal. Esto podría dañar el revestimiento antiadherente de las placas.
8. Desconecte el aparato después de terminar.

CARACTERÍSTICAS



1. Control de temperatura variable

- cinco ajustes de temperatura permiten preparar gofres/waffles como a usted le gustan, desde suaves hasta crujientes
- indican cuando el aparato está listo para cocer
- indican cuando los gofres/waffles están listos para comer

3. Cubierta ponderada

- no se abrirá durante la cocción.

4. Pies de goma

- no dejan marcas sobre la encimera

5. Acabado de acero inoxidable cepillado

- mantienen el aparato estable

6. Espacio para guardar el cable cepillado

- el cable se enrolla debajo de la base para un almacenaje fácil

7. Sin BPA (no ilustrado)

- ninguna de las piezas en contacto con los alimentos contiene bisfenol A (BPA).

Nota: Las placas de su gofrera Cuisinart®

cuentan con un revestimiento antiadherente.

Sin embargo, le aconsejamos que engrase las placas antes del primer uso, Para engrasar las

placas, vaporice spray vegetal o aplique aceite vegetal con papel absorbente o una brocha. Haga lo mismo antes de cada uso.

12. No utilice el aparato para ningún otro fin que no sea el indicado.
13. Siempre conecte el cable al aparato antes de enchufar éste en la toma de corriente. Siempre ponga el control de temperatura en la posición no. 1 antes de desconectar el aparato.
14. Tenga sumo cuidado al mover un aparato que contenga aceite u otros líquidos calientes.
15. **ADVERTENCIA:** PARA REDUCIR EL RIESGO DE INCENDIO O ELECTROUCIÓN, LAS REPARACIONES DEBEN SER REALIZADAS POR UN TÉCNICO CALIFICADO. EL APARATO NO CONTIENE PIEZAS QUE PUEDAN SER REPARADAS POR EL USUARIO.
16. No haga funcionar el aparato bajo o adentro de un armario. **Siempre desconecte el aparato antes de guardarlo en un armario.** Dejar el aparato conectado presenta un riesgo de incendio, especialmente si éste toca las paredes o la puerta del armario cuando cierra.

GUARDE ESTAS INSTRUCCIONES PARA USO DOMÉSTICO SOLAMENTE

El cable provisto con este aparato es corto para reducir el peligro de que alguien se enganche o tropiece con un cable mas largo.

Se podrá usar una extensión eléctrica, siempre que respete las precauciones siguientes:

La clasificación nominal de la extensión debe ser por lo menos igual a la del aparato. Es importante colocar la extensión sobre la encimera o la mesa de tal forma que niños o animales no puedan jalarla o tropezar con ella.

AVISO:

El cable de este aparato está dotado de una clavija polarizada (una pata es mas ancha que otra). Como medida de seguridad, se podrá enchufar de una sola manera en la toma de corriente polarizada. Si no entrara en la toma de corriente, inviértela. Si aún no entrara completamente, comuníquese con un electricista. No intente modificarla.

INDICE	
Medidas de seguridad importantes	3
Instrucciones de uso	4
Características	4
Consejos y coberturas	5
Recetas	5
Limpieza y mantenimiento	8
Almacenaje	8
Garantía	8

MEDIDAS DE SEGURIDAD IMPORTANTES

Siempre que use aparatos eléctricos, debe tomar precauciones básicas de seguridad, incluidas las siguientes:

1. **LEA TODAS LAS INSTRUCCIONES.**
2. No toque las superficies calientes. Utilice el mango y los botones o perillas.
3. Para reducir el riesgo de incendio, electrocución o herida, **NO SUMERJA EL CABLE, LA CLAVIJA O EL APARATO** en agua u otro líquido.
4. Supervise de cerca el uso de este aparato cuando esté siendo usado por niños o cerca de ellos.
5. Desconecte el aparato cuando no esté en uso y antes de limpiarlo. Permita que se enfríe antes de instalar o remover piezas y antes de limpiarlo.
6. No utilice este aparato si el cable o la clavija estuviesen dañados, después de que hubiese funcionado mal o se hubiese caído o si estuviese dañado. Regrese el aparato a un centro de servicio autorizado para su revisión, reparación o ajuste.
7. El uso de accesorios no recomendados por Cuisinart presenta un riesgo de incendio, electrocución o herida.
8. No lo utilice en exteriores.
9. No permita que el cable cuelgue del borde de la encimera o de la mesa, ni que haga contacto con superficies calientes.
10. No coloque el aparato sobre o cerca de un quemador a gas o una hornilla eléctrica caliente, ni en un horno caliente.
11. Siempre desconecte el aparato después de usarlo.

Gofrera/Waflera clásica

WMR-GA

Para su seguridad y para disfrutar plenamente de este producto, siempre lea las instrucciones cuidadosamente antes de usarlo.



INSTRUCCIONES &
LIBRO DE RECETAS

Cuisinart®

Version no.: WMRCA IB-4006-ESP	
Size : 148mm(W) X 210mm(H)	
Material: 105gsm gloss artpaper for whole book	
Coating: Gloss Varnishing in cover	
Color (Front): 4C+1C(black)	
(Back): 1C(black)	
Date: 29/10/13	Co-ordinator : Astor You/Scias Liu
XieFaXing Des cription : WMRCA IB-4006-ESP OPERATOR:Chen	
XieFaXing Code : E-WMRCA IB-4006-ESP	

