



Arc Floor Lamp Assembly Instructions

Important Safety Instructions:

- This portable luminaire has a polarized plug (one blade is wider than the other) as a safety feature to reduce the risk of electric shock. This plug will fit in a polarized outlet only one way. If the plug does not fit fully in the outlet, reverse the plug. If it still does not fit, contact a qualified electrician. Never use with an extension cord unless plug can be fully inserted. Do not alter the plug. Do not attempt to defeat this safety feature.
- These instructions are provided for your safety. It is very important that they are read carefully and completely before beginning the assembly and installation of this lighting fixture.
- This fixture has been rated for up to one (1) **150-watt maximum TYPE A standard incandescent light bulb** (not included) or one (1) **42-watt compact fluorescent light bulb** (not included) or one (1) **9-watt SBLED light bulb** (included). To avoid the risk of fire, do not exceed the recommended wattage.
- Use with approved Williams-Sonoma Home Shades only, having a minimum opening diameter of 4-1/2 inches and a minimum lamp-to-shade spacing of 4-3/4 inches.
- This lamp is meant for indoor use.
- **Save these instructions.**

WARNING:

- **To reduce the risk of fire, electrical shock or personal injury, always turn off and unplug the light fixture and allow it to cool prior to replacing the light bulb.**
- **Do not touch bulb when fixture is turned on. Do not look directly at lit bulb.**
- **Keep flammable materials away from lit bulb.**

Pre-assembly:

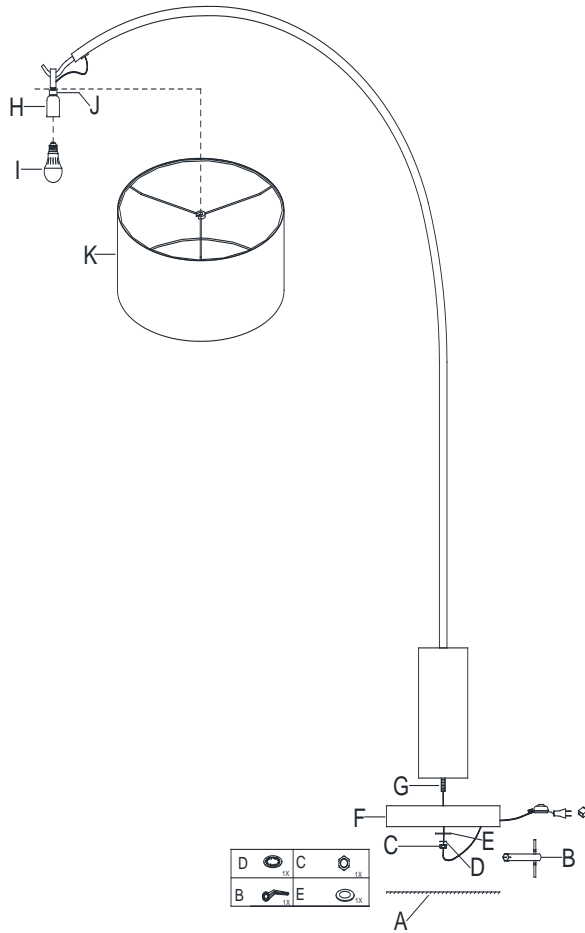
- Remove all parts and hardware from box along with any plastic protective packaging.
- Do not discard any contents until after assembly is complete to avoid accidentally discarding small parts or hardware.

Parts Included:

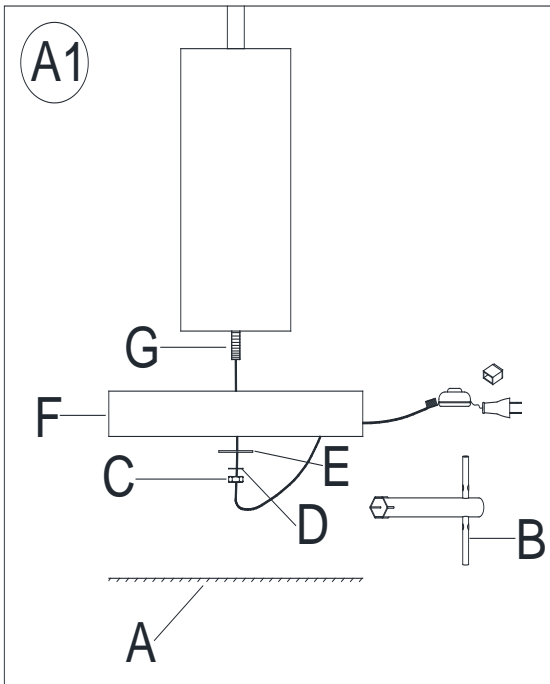
- (1) Felt Paper (A)
- (1) Hex Nut (C)
- (1) Spring Washer (D)
- (1) Washer (E)
- (1) Lamp Base (F)
- (1) Nipple (G)
- (1) Socket (H)
- (1) LED Light Bulb (I)
- (1) Collar (J)
- (1) Shade (K) (not included)

Hardware Enclosed:

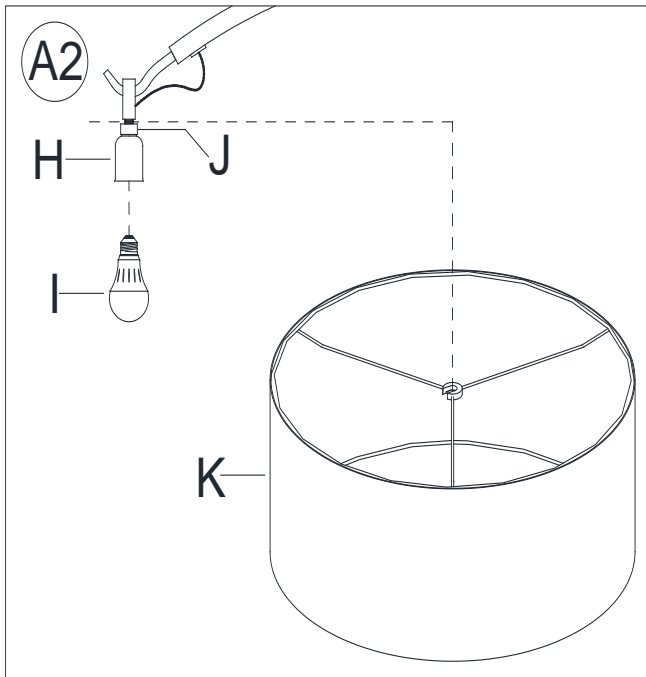
- (1) T-Wrench (B)



To Assemble:



1. Insert the bottom threaded Nipple (G) through center hole of the Lamp Base (F)
2. Attach the Washer (E) first and then the Spring Washer (D) and followed by the Hex Nut (C) onto the extended threaded portion below Lamp Base (F), turning the Hex Nut (C) clockwise using the T-Wrench (B) until tight.
3. Remove the backing sheet of the Felt Paper (A), affix the Felt Paper on the underneath of Lamp Base (F).



1. Place the Lamp Shade (K) onto the threaded portion above the Socket (H);
2. Secure the Lamp Shade (K) (not included) by turning the Collar (J) in a counter-clockwise direction by hand until secure.
3. Insert the specified light bulb (I) into the Socket (H). DO NOT EXCEED THE SPECIFIED WATTAGE.

Care instructions:

- Wipe clean with a soft, dry cloth or static duster.
- Always avoid the use of harsh chemicals or abrasive cleaners as they may cause damage to the fixture's finish

• Thank you for your purchase

• Stores | catalog | www.williams-sonoma.com

• USA 1.877.812.6235