



## Watson Table Lamp Assembly Instructions

### Important Safety Instructions:

- These instructions are provided for your safety. It is very important that they are read carefully and completely before beginning the assembly and installation of this lighting fixture.
- This portable luminaire has a polarized plug (one blade is wider than the other) as a safety feature to reduce the risk of electric shock. This plug will fit in a polarized outlet only one way. If the plug does not fit fully in the outlet, reverse the plug. If it still does not fit, contact a qualified electrician. Never use with an extension cord unless plug can be fully inserted. Do not alter the plug. Do not attempt to defeat this safety feature.
- This fixture has been rated for up to two (2) **40-watt maximum TYPE A standard incandescent light bulbs** (not included) or two (2) **9-watt compact fluorescent light bulbs** (not included) or two (2) **9-watt SBLED light bulbs** (included). To avoid the risk of fire, do not exceed the recommended lamp wattage.
- Use with approved Williams-Sonoma home Shades only, having a minimum opening diameter of 4 inches and a minimum lamp-to-shade spacing of 2 inches.
- This lamp is meant for indoor use.
- **Save these instructions.**

### WARNING:

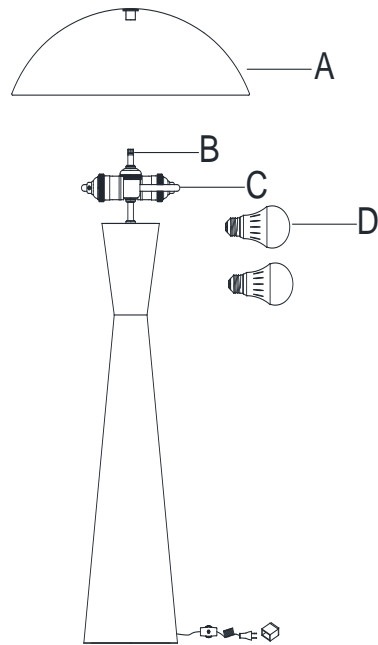
- **To reduce the risk of fire, electrical shock or personal injury, always turn off and unplug the light fixture and allow it to cool prior to replacing the light bulb.**
- **Do not touch bulb when fixture is turned on. Do not look directly at lit bulb.**
- **Keep flammable materials away from lit bulb.**

### Pre-assembly:

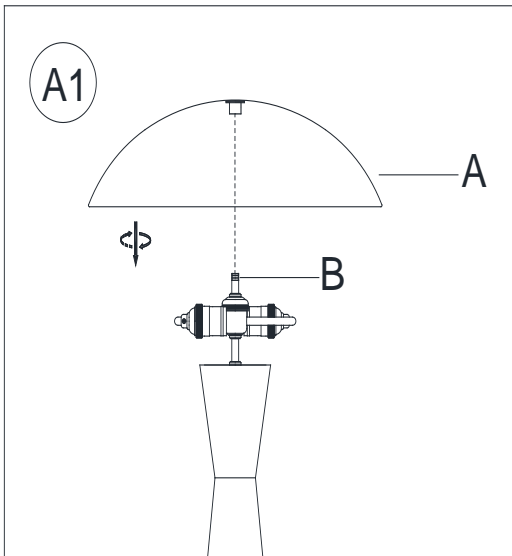
- Remove all parts and hardware from box along with any plastic protective packaging.
- Do not discard any contents until after assembly is complete to avoid accidentally discarding small parts or hardware.

**Parts Included:**

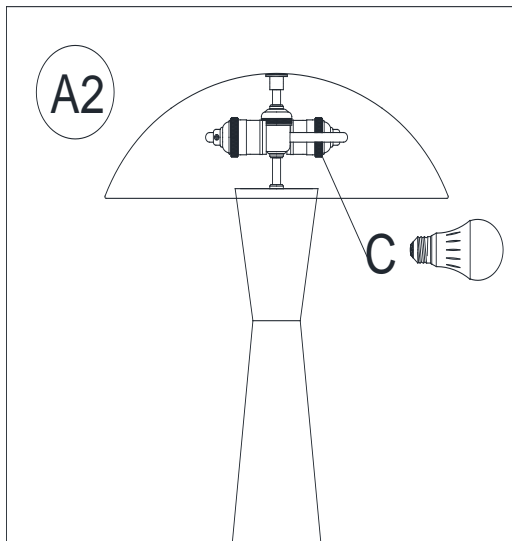
- (A) Shade (1)
- (B) Rod (1)
- (C) Sockets (2)
- (D) LED Light Bulbs (2)



**To Assemble**



1. Thread Shade (A) onto the Rod (B) by turning clockwise direction until tight.



1. Insert the specified light bulbs(D) into the Sockets (C). DO NOT EXCEED THE SPECIFIED WATTAGE.

**Care instructions:**

- Wipe clean with a soft, dry cloth or static duster.
- Always avoid the use of harsh chemicals or abrasive cleaners as they may cause damage to the fixture's finish

Thank you for your purchase  
Stores | catalog | [www.williams-sonoma.com](http://www.williams-sonoma.com)  
USA 1.877.812.6235