

## Aerin Wicker Mirror

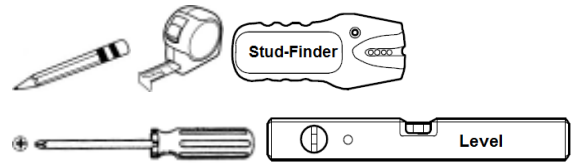
Mounting Instructions

### HARDWARE INCLUDED:

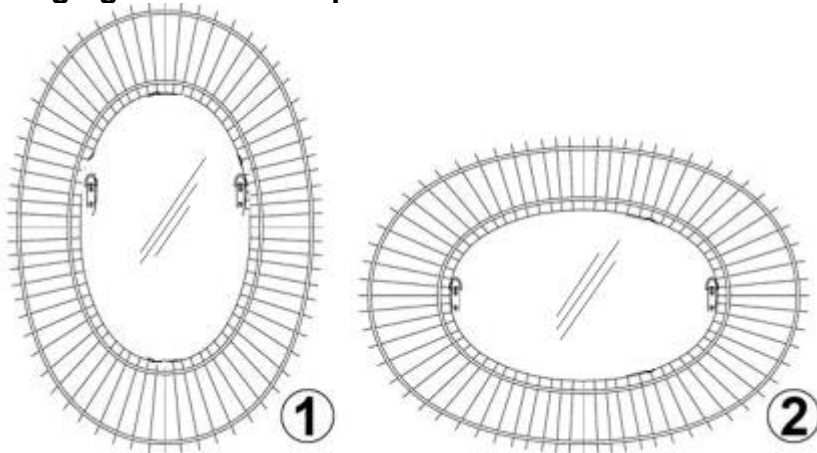


**Note:** The provided mounting hardware is meant for drywall and stud construction only. For other wall types, please consult your local hardware store for assistance in selecting the appropriate hardware.

### TOOLS NEEDED (not included):

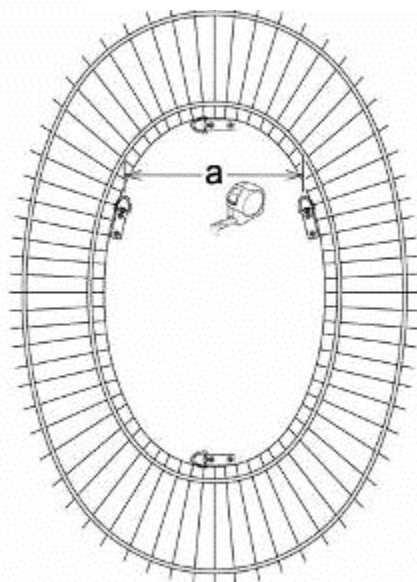


### Hanging Orientation Options:

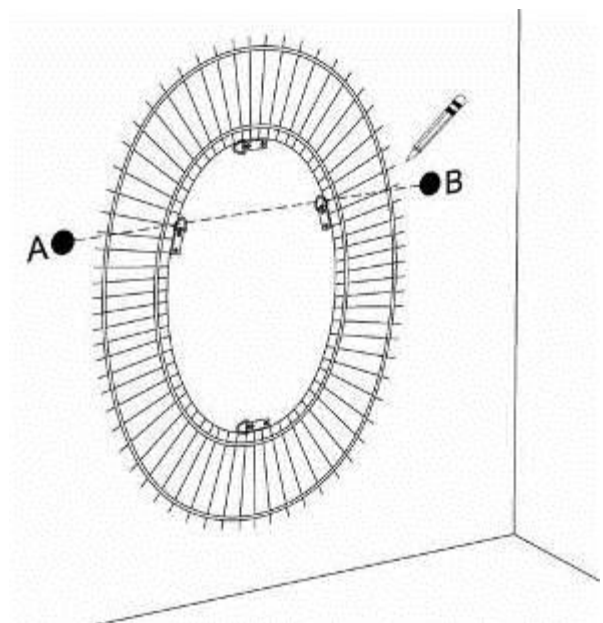


### Mounting Instructions:

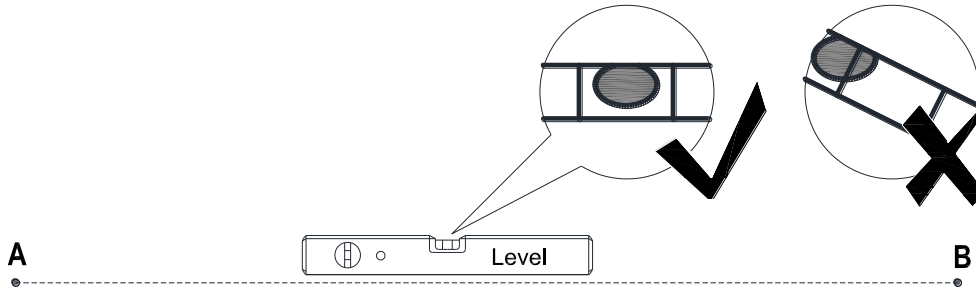
**1** Measure the distance between the center of the two D-rings.



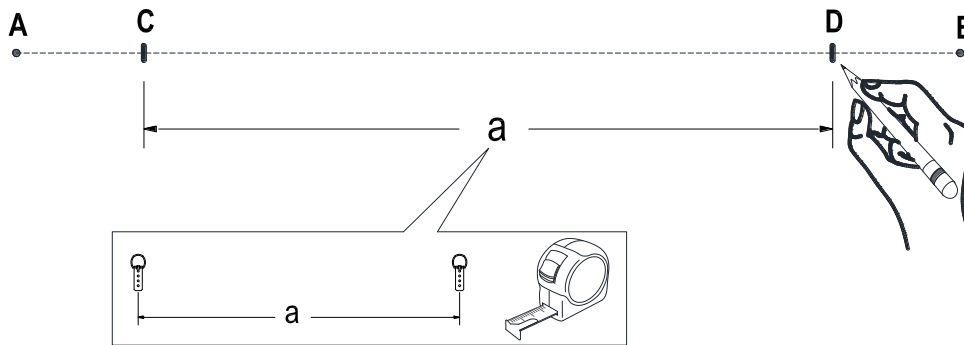
**2** With the back of the mirror facing [e] away from the wall, hold it against the wall at a desired mounting location. Mark two reference points (A, B) on the wall as shown.



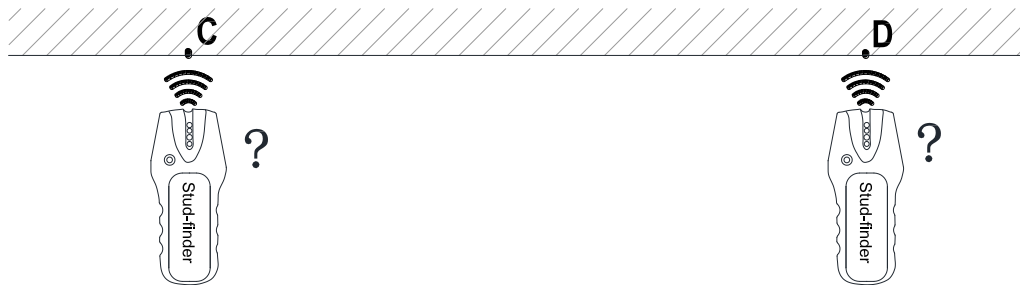
**3** Connect the two points (A, B) with a light pencil line. Use a level to ensure that the line is level.



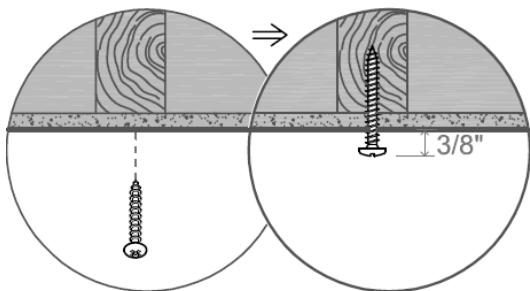
**4** Make two insertion marks (C, D) centered along the line using the measurement "a".



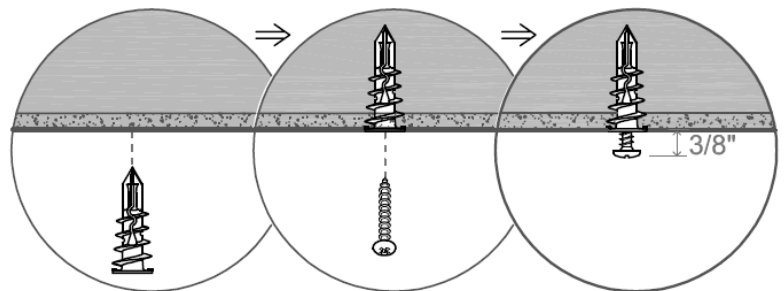
**5** Use a stud-finder to determine if there is a wall stud[s] located at [each] either insertion mark. Install the proper hardware, as shown below. Note that the head of each screw resides about 3/8" from the wall.



**For stud mounting:**

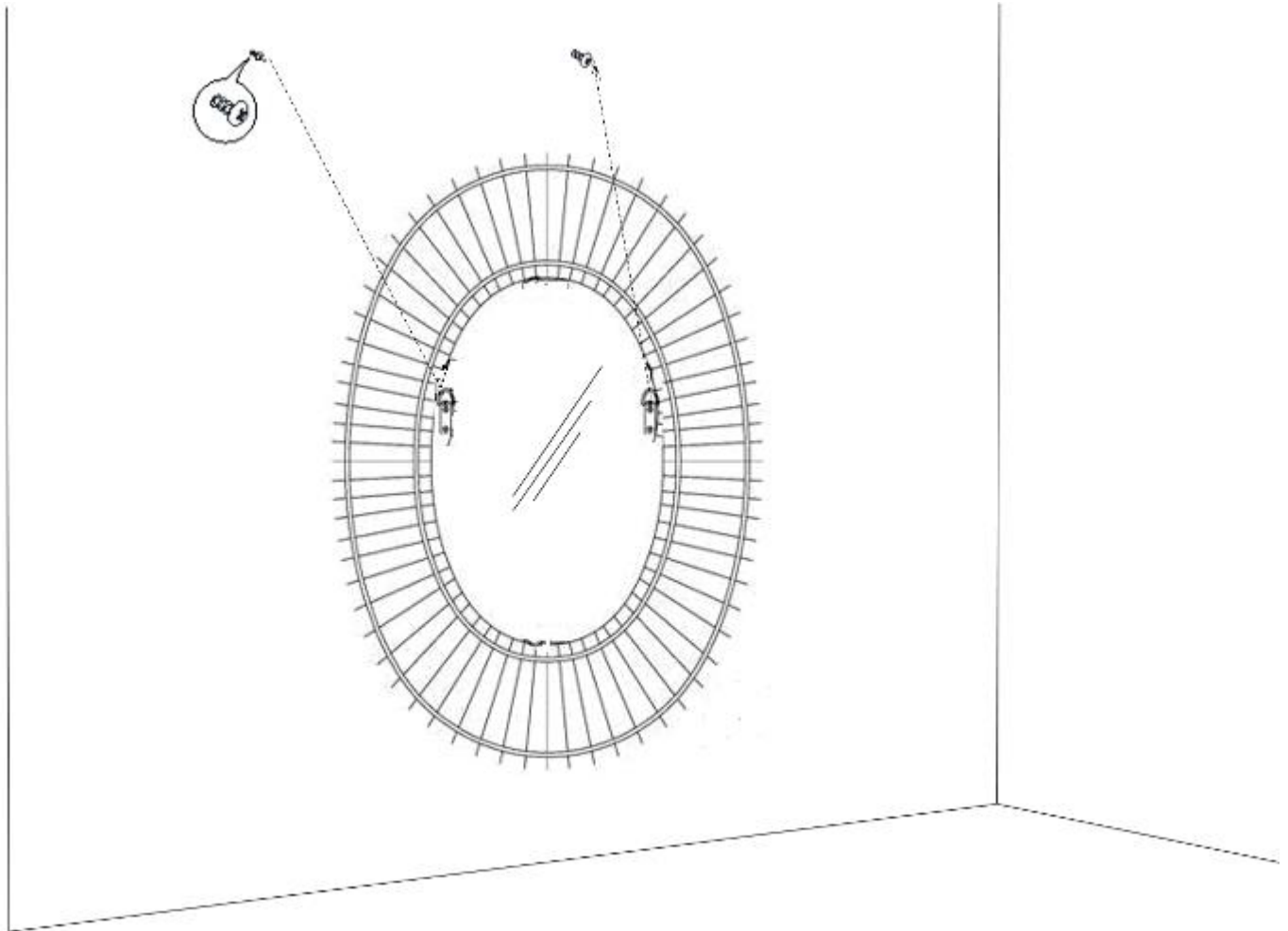


**For non-stud mounting:**



**Tips:**  
The anchor is self-drillable.  
No pilot hole required.

**6** With the help of another person, hang the Aerin wicker mirror to the wall so that the D-rings engage the screw heads.



**CARE INSTRUCTIONS:**

- To clean the frame of the mirror, wipe with a soft, dry cloth. Do not use abrasive or strong chemical household cleaners.
- A household glass cleaner may be used for the mirror surface – spray the cleaner on a clean cloth first and then use the cloth to clean the glass.

Thank you for your purchase!  
Stores | Catalog | [www.williams-sonomahome.com](http://www.williams-sonomahome.com)