



Cardiff Table Lamp

Assembly and Installation Instructions

Important Safety Instructions:

- This portable luminaire has a polarized plug (one blade is wider than the other) as a safety feature to reduce the risk of electric shock. This plug will fit in a polarized outlet only one way. If the plug does not fit fully in the outlet, reverse the plug. If it still does not fit, contact a qualified electrician. Never use with an extension cord unless plug can be fully inserted. Do not alter the plug. Do not attempt to defeat this safety feature.
- These instructions are provided for your safety. It is very important that they are read carefully and completely before beginning the assembly and installation of this lighting fixture.
- This fixture has been rated for up to one (1) **40-watt maximum TYPE B light bulb** (not included) or one (1) **9-watt compact fluorescent light bulb** (included for California customers only). To avoid the risk of fire, do not exceed the recommended lamp wattage.
- This lamp is meant for indoor use.
- **Save these instructions.**

WARNING:

- **To reduce the risk of fire, electrical shock or personal injury, always turn off and unplug the light fixture and allow it to cool prior to replacing the light bulb.**
- **Do not touch bulb when fixture is turned on. Do not look directly at lit bulb.**
- **Keep flammable materials away from lit bulb.**

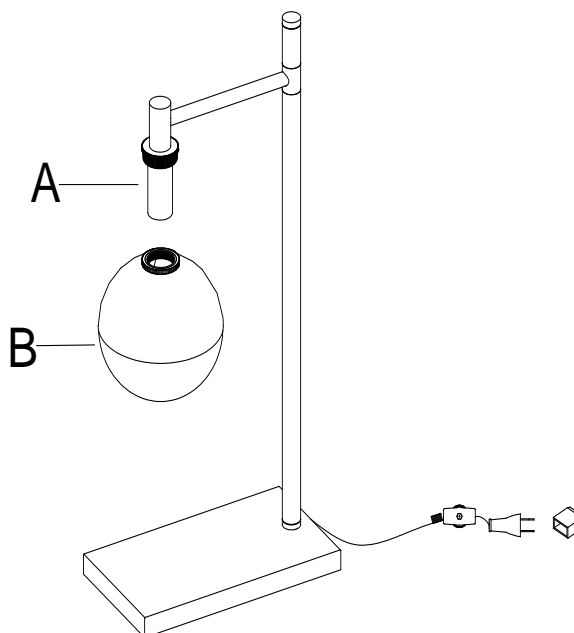
Pre-assembly:

- Remove all parts and hardware from box along with any plastic protective packaging.
- Do not discard any contents until after assembly is complete to avoid accidentally discarding small parts or hardware.

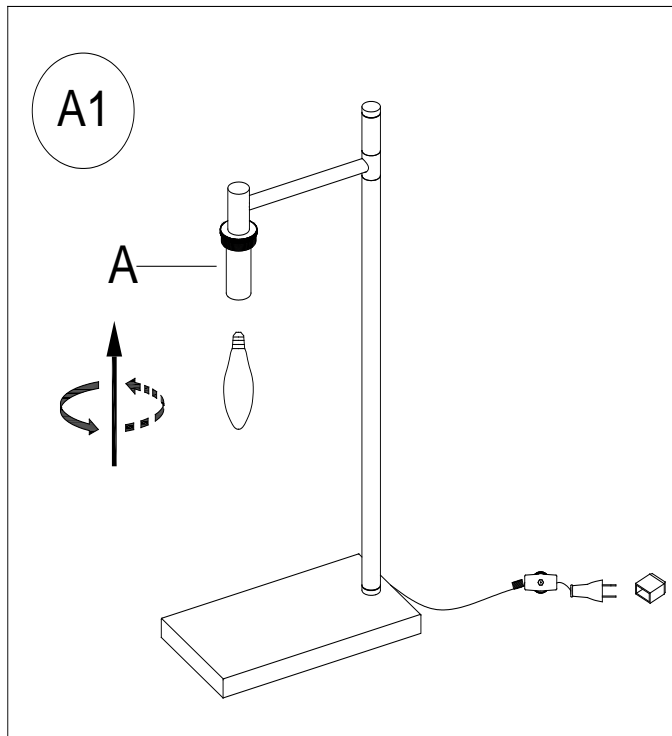
Parts Included:

(A) Socket (1)

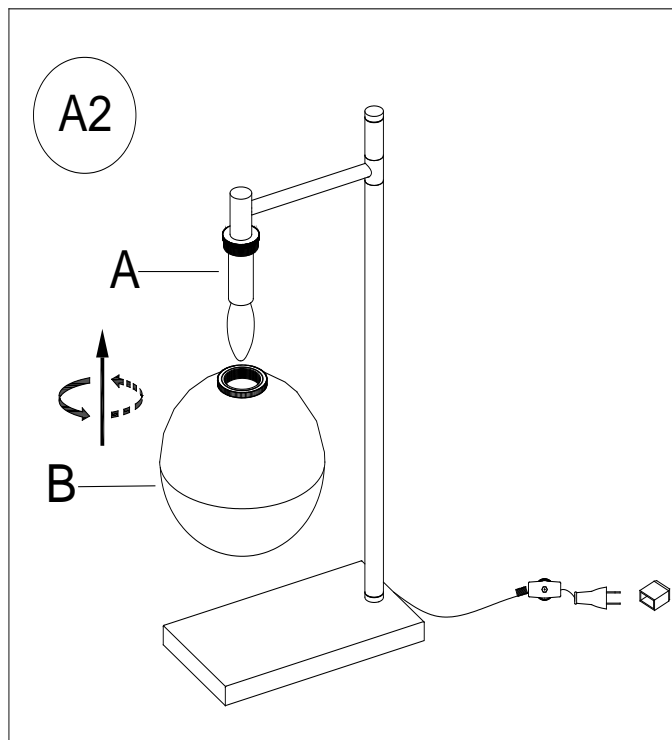
(B) Lamp Shade (1)



To Assemble:



Insert one (1) **40-watt maximum TYPE B light bulb** (not included) or one (1) **9-watt compact fluorescent light bulb** (included for California customers only) into the Socket (A). **DO NOT EXCEED THE SPECIFIED WATTAGE.**



Attach the Lamp Shade (B) onto the threaded portion of Socket (A); secure the Lamp Shade (B) by turning the Lamp Shade (C) in a clockwise direction by hand until secure.

Care instructions:

- Wipe clean with a soft, dry cloth or static duster.
- Always avoid the use of harsh chemicals or abrasive cleaners as they may cause damage to the fixture's finish

Thank you for your purchase

Stores | catalog | www.williams-sonoma.com

USA 1.877.812.6235