



USE & CARE GUIDE

GUIDE D'UTILISATION ET D'ENTRETIEN

GUIA DE USOS Y CUIDADOS

Welcome

Thank you for your purchase of this Wolf Gourmet product. We look forward to being part of your kitchen for years to come. Wolf is a third-generation family-owned company that has a personal stake in the preparation of your food. With family ownership comes a great attention to detail and an uncompromised dedication to creating exceptional products. Wolf built its business and reputation on helping home cooks achieve the best results possible. With Wolf Gourmet's precise control, the dish you envision will be the dish you serve.



Contents

- 4 Safety Precautions
- 6 Wolf Gourmet Multi-Function Cooker
Parts and Features
- 8 Getting Started
- 10 Using Cooking Modes
- 25 Care Recommendations
- 26 Troubleshooting
- 27 Wolf Gourmet Warranty

Customer Care

As a Wolf Gourmet owner, you can count on our support. Our customer care center is available 24 hours a day, seven days a week and staffed by product experts at our headquarters in Madison, Wisconsin. Should the need arise, simply call 800.222.7820 to speak with one of our product experts. In Mexico, please contact the customer service center at 01.800.400.4372 Monday through Friday from 9:00 a.m. to 7:00 p.m. We are confident this guide will answer your questions about the features, operation, and maintenance of your Wolf Gourmet product. If you have additional questions, please contact us by phone or visit us online at wolfgourmet.com.

Register Your Product

We strongly encourage you to register your Wolf Gourmet appliance. It's important to us that you get the most out of your products. By registering you will:

- Become a Wolf Gourmet culinary insider.
- Have ongoing support from Wolf Gourmet.
- Activate your warranty and record your purchase.
- Be alerted to any service updates.
- Receive occasional emails to help you maintain and enjoy your appliances.

To register, visit wolfgourmet.com/registration or call 800.222.7820. In Mexico, please visit wolfgourmet.com.mx or call 01.800.400.4372.

IMPORTANT SAFEGUARDS

When using electrical appliances, basic safety precautions should always be followed to reduce the risk of fire, electric shock, and/or injury to persons, including the following:

- Read all instructions.
- This appliance is not intended for use by persons (including children) with reduced physical, sensory, or mental capabilities, or lack of experience and knowledge, unless they are closely supervised and instructed concerning use of the appliance by a person responsible for their safety.
- Close supervision is necessary when any appliance is used by or near children. Children should be supervised to ensure that they do not play with the appliance.
- Do not touch hot surfaces. Use oven mitts.
- To protect against electric shock, do not immerse cord, plug, or base in water or other liquid.
- Unplug from outlet when not in use and before cleaning. Allow to cool before putting on or taking off parts.
- Do not operate any appliance with a damaged supply cord or plug, or after the appliance malfunctions or has been dropped or damaged in any manner. Supply cord replacement and repairs must be conducted by the manufacturer, its service agent, or similarly qualified persons in order to avoid a hazard. Call the provided customer service number for information on examination, repair, or adjustment.
- The use of accessory attachments not recommended by the appliance manufacturer may cause injuries.
- Do not use outdoors.
- Do not let cord hang over edge of table or counter, or touch hot surfaces, including stove.
- Do not place on or near hot gas or an electric burner, or in a heated oven.
- Extreme caution must be used when moving an appliance containing hot oil or other hot liquids.
- To disconnect multi-function cooker, turn OFF; then remove plug from wall outlet.
- Intended for countertop use only.
- **WARNING!** Spilled food can cause serious burns. Keep appliance and cord away from children. Never drape cord over edge of counter, never use outlet below counter, and never use with an extension cord.
- This appliance is not intended for deep-frying foods.
- Do not use appliance for other than intended use.

SAVE THESE INSTRUCTIONS

Other Consumer Safety Information

This appliance is intended for household use only.

⚠ WARNING Electrical Shock Hazard: This appliance is provided with a grounded (3-prong) plug to reduce the risk of electric shock. The plug fits only one way into a grounded outlet. Do not defeat the safety purpose of the plug by modifying the plug in any way or by using an adapter. If the plug does not fit into the outlet, have an electrician replace the outlet.

A short power-supply cord is used to reduce the risk resulting from it being grabbed by children, becoming entangled in, or tripping over a longer cord.

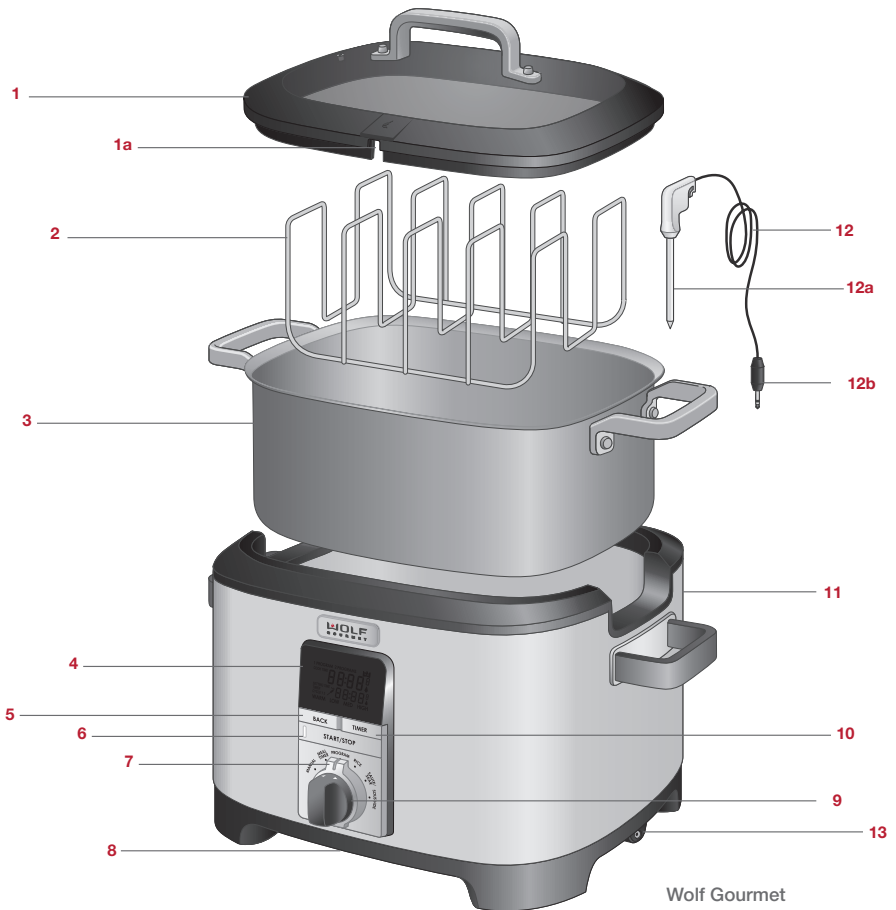
WOLF GOURMET MULTI-FUNCTION COOKER PARTS AND FEATURES

PARTS AND FEATURES

- | | |
|--------------------------|---|
| 1 Lid | 10 Timer Button |
| 1a Probe Opening | 11 Base |
| 2 Sous Vide Rack | 12 Probe |
| 3 Stainless Steel Vessel | 12a Temperature Probe – Insert Into Food or Water |
| 4 Control Panel Display | 12b Plug End – Insert Into Probe Jack |
| 5 Back Button | 13 Probe Jack |
| 6 Start/Stop Button | |
| 7 Mode Selector Bezel | |
| 8 Rating Plate | |
| 9 Time/Temperature Knob | |



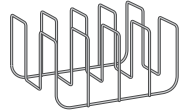
CAUTION: HOT SURFACE. Exterior surfaces and handles get hot. Use oven mitts or allow unit to cool completely before moving or removing parts.



Wolf Gourmet
Multi-Function Cooker

Parts and Features

- Lid:** The lid must be used in MANUAL, MEAL TIMER, PROGRAM, RICE, and SOUS VIDE modes. The lid can be used in SAUTE/SEAR mode during preheat, or to prevent splatter. The lid is dishwasher-safe and oven-safe for temperatures up to 450°F (232°C).
 - Probe Opening:** The probe opening is where the probe should be positioned when using the probe in Sous Vide mode and in some slow cook applications.
- Sous Vide Rack:** The removable Sous Vide rack is used in SOUS VIDE mode, if desired, to separate individual bags of sealed food and ensure proper water heating.
- Stainless Steel Vessel:** The stainless steel vessel must be in place for the cooker to function. The vessel may also be used in an oven or on a gas, electric, or induction stovetop. It is oven-safe for temperatures up to 450°F (232°C) and is dishwasher-safe.
- Control Panel Display:** The display will show temperature and time settings, probe temperature settings, error messages, icons for probe, and the Wolf Gourmet logo when in sleep mode.
- Back Button:** Press the BACK button to go back one step and undo the last setting entered.
- Start/Stop Button:** Press the START/STOP button to start and to turn OFF the mode selected. The light will be illuminated in red and a chime will sound when the cycle is started. START/STOP also is used to engage or turn off the timer.
- Mode Selector Bezel:** Rotate selector bezel to desired cooking mode: MANUAL, MEAL TIMER, PROGRAM, RICE, SAUTE/SEAR, or SOUS VIDE.
- Rating Plate:** Model number and rating information can be found on the bottom of the base of the multi-function cooker.
- Time/Temperature Knob:** Use this knob to set the time and temperature in different cooking modes.
- Timer Button:** The TIMER button may be used in PROGRAM mode or SOUS VIDE mode.
- Base:** Stainless steel vessel must be placed in base in order for multi-function cooker to function.
- Probe:**
 - Temperature Probe** – The long, thin pointed end of the probe is the temperature probe which is inserted into the water in SOUS VIDE mode, or to measure internal temperature and ensure perfectly cooked food in PROGRAM mode.
 - Plug End** – The plug end of the probe should be inserted into the probe jack on the right side of the multi-function cooker.
- Probe Jack:** The probe jack is on the bottom-right side of the multi-function cooker and is where the plug end of the probe should be inserted.



Getting Started

CHOOSING A COOKING MODE

Slow Cooker Modes:

1. **MANUAL** mode functions like a standard, nonprogrammable slow cooker with four heat settings: WARM, LOW, MEDIUM, or HIGH. The timer counts up and the multi-function cooker will stay on until the START/STOP button is pressed, or will automatically turn off after 24 hours.
NOTE: WARM should not be used for cooking. It can be used once cooking is complete to keep foods warm.
2. **MEAL TIMER** mode allows you to set the number of hours to cook based on when you want to serve the meal, regardless of recipe instructions. No heat level is selected. MEAL TIMER adjusts the temperature based on the serve time. This feature is well-suited to recipes that will cook for a long period of time such as large meats, meat and vegetable combinations, or soups and stews. MEAL TIMER automatically switches to WARM at the end of the cook cycle.
3. **PROGRAM** mode has three options that allow for a customized cooking experience. All three options automatically switch to WARM at the end of the cook cycle.
 - a. **1 PROGRAM** – Select one heat and time setting for the entire cooking session.
 - b. **1 PROGRAM WITH PROBE** – Select one heat setting and use the probe to cook food to the desired internal temperature. This setting is best when cooking foods that may be at risk for overcooking, such as lean cuts of meat, or any time food temperature is the desired test for doneness. The cooker will automatically switch to WARM when the desired temperature is reached.
 - c. **2 PROGRAMS** – Select two different heat settings and time durations in one cooking session. For example, program to cook on HIGH for 4 hours, then LOW for 3 hours. Ideal for shortening the cooking time of items such as pot roasts to heat quickly on HIGH and then allow to tenderize on LOW.

Other Cooking Modes:

4. **RICE** mode has two settings: 1 and 2. Setting 1 is used for white rice. Setting 2 is used for brown rice. See rice cooking chart on page 18 under “Using Cooking Modes.”
5. **SAUTE/SEAR** mode has three heat settings: LOW, MEDIUM, and HIGH. Use this mode to saute before slow cooking, to sear after Sous Vide, or for recipes that require saute or sear as the only cooking mode. It has a maximum cook time of 45 minutes, including preheat.
6. **SOUS VIDE** is a cooking method in which sealed food is cooked in a precisely temperature-controlled water bath, at a setting between 100°F (38°C) and 200°F (93°C). The temperature probe is used to control the temperature of the water. This method ensures even and predictable results and protects against overcooking. In this mode, the foods are seasoned and then sealed in heat-safe bags or jars. The vessel is filled with warm water and the sealed foods are added to the water bath when the desired temperature is reached.

SLOW COOK MODES

Description		Best For	User Selects Heat Setting	User Selects Time	Shifts to WARM at End of Cycle
Manual	Select Warm, Low, Medium, or High	Traditional slow cooker recipes, and for foods that you plan to monitor or that benefit from a long cooking time. Cooks until Start/Stop is pressed, or for up to 24 hours. Warm setting can be used to keep cooked foods warm.	X		
Meal Timer	Select number of hours until serving	Taking the guesswork out of which heat setting to choose. Choose the cook time and the cooker automatically adjusts the heat to prevent overcooking. Ideal for large cuts of meat or poultry, and meat and vegetable combinations.		X	X
1 Program	Set 1 heat and time cycle	Following a recipe with a specific heat level and time. Ideal for smaller pieces of meat, poultry or fish, side dishes, casseroles, and desserts.	X	X	X
1 Program With Probe	Select desired food temperature	Foods that should be cooked to a precise temperature, such as chicken, certain cuts of pork and beef.	X		X
2 Programs	Set 2 heat and time cycles	Customizing recipes to your schedule or preferences. For example, when you want to speed up the cooking time and still have the benefit of low, slow heat for tenderizing, set Program 1 on HIGH for 2 hours and Program 2 on LOW for 6 hours.	X	X	X

Using Cooking Modes

MANUAL

MANUAL mode functions like a standard nonprogrammable slow cooker with four heat settings: WARM, LOW, MEDIUM, and HIGH. The timer counts up and the multi-function cooker will stay on until the START/STOP button is pressed, or will turn off automatically after 24 hours.

NOTE: WARM should not be used for cooking. It can be used once cooking is complete to keep foods warm.

1. Add food to vessel and cover with lid.
2. Turn selector bezel to MANUAL. The LCD screen displays the flashing heat settings: “WARM LOW MED HIGH.”
3. Turn the knob to the left or right to select a heat setting. Release the knob when the heat setting is selected. The setting and START/STOP button will start to flash.
4. Press the START/STOP button to start cooking. A long chime will sound and the START/STOP button will stay illuminated. The selected heat setting becomes solid and the timer will count up.

NOTE: During the cycle, the user can adjust the heat setting at any time by turning the knob. The new selected setting will flash three times before it becomes solid and the temperature adjusts. There is no need to press the START/STOP button.

5. Press the START/STOP button at any time to end cooking and turn off the unit. “OFF” will flash in the display and the cooker will chime three times.



MEAL TIMER

MEAL TIMER mode allows you to select the number of hours of cooking based on when the meal will be served, regardless of recipe instructions. No heat level is selected. MEAL TIMER adjusts the temperature based on the serve time. This feature is well-suited to recipes that will cook for a long period of time such as large meats, meat and vegetable combinations, or soups and stews. MEAL TIMER automatically switches to WARM at the end of the cook cycle.

1. Add food to vessel and cover with lid.
2. Turn the selector bezel to MEAL TIMER.
3. The LCD screen displays the flashing default minimum cook time of 4 hours with a maximum cooking time of 12 hours.
4. Adjust the cook time by turning the knob to the right to increase the cook time or to the left to decrease the cook time. The time adjusts in 30-minute increments with a minimum cooking duration of 4 hours and a maximum cooking duration of 12 hours.
5. Release the knob once a cook time is set; then the cook time display and the START/STOP button will start to flash.
6. Press the START/STOP button to start cooking. A long chime will sound and the START/STOP button will stay illuminated. The selected cook time becomes solid and the timer will count down.
7. When cook time is complete, a long chime will sound. "COOK TIME" and "00:00" will disappear. The unit will switch to the "WARM" heat setting and the timer will begin to count up. After 4 hours on WARM, the unit will shut off automatically.
8. Press the START/STOP button at any time to end cooking and turn off the unit. "OFF" will flash in the display and the cooker will chime three times.



USING COOKING MODES

PROGRAM MODES

There are 3 slow cook options in PROGRAM mode: 1) Program one heat and time cycle in one cook session. 2) Program two heat and time cycles in one cook session. 3) Use the Probe to set the desired end temperature.

1 PROGRAM

Select one heat and time setting for the entire cooking session. It will switch automatically to WARM at the end of the cook cycle.

1. Add food to vessel and cover with lid.
2. Turn selector bezel to PROGRAM. The LCD screen displays flashing setting of "1 PROGRAM" and "2 PROGRAMS."
3. Turn the knob to the left to select 1 PROGRAM. Release the knob once 1 PROGRAM is selected. The setting will flash three times before it becomes solid.

NOTE: If the START/STOP button is pressed before the display stops flashing, the program will go to the next step in the setting process.

4. Once "1 Program" becomes solid, the flashing heat settings of "LOW MED HIGH" will display. Turn the knob left or right to select LOW, MEDIUM, or HIGH heat. WARM is not an option. Release the knob once a heat setting is selected; then the setting will flash three times before it becomes solid.

NOTE: To access the previous setting at any time, press the BACK button once.

5. Once selected heat setting becomes solid, the flashing "COOK TIME" and "00:00" will display. Adjust the time setting by turning the knob to the right to increase or to the left to decrease the time. The time adjusts in 30-minute increments, with a minimum time of 30 minutes and a maximum of 12 hours. Release the knob once the time is set. The time and START/STOP button will start to flash.
6. Press the START/STOP button to start cooking. A long chime will sound and the START/STOP button will stay illuminated. The selected cook time becomes solid and the timer will count down.
7. When cook time is complete, a long chime will sound. "COOK TIME" and "00:00" will disappear. The unit will switch to the "WARM" heat setting and the timer will begin to count up. After 4 hours on WARM, the unit will shut off automatically.
8. Press the START/STOP button at any time to end cooking and turn off the unit. "OFF" will flash in the display and the cooker will chime three times.

NOTE: During the cycle, the heat setting may be adjusted at any time by turning the knob. The new selected setting will flash three times before it becomes solid and the temperature adjusts. There is no need to press the START/STOP button. The time setting may be adjusted at any point by pressing the TIMER button to reactivate time to a flashing display, and the knob may be turned to adjust the cook time.



2 PROGRAMS

Select two different heat settings and time durations in one cooking session. For example, program to cook on HIGH for 4 hours, then LOW for 3 hours. Ideal for shortening the cooking time of items such as pot roasts to heat quickly on HIGH and then allow to tenderize on LOW. It will automatically switch to WARM at the end of the cook cycle.

1. Add food to vessel and cover with lid.
2. Turn selector bezel to PROGRAM. The LCD screen displays flashing setting of “1 PROGRAM” and “2 PROGRAMS.”
3. Turn the knob to the right to select “2 PROGRAMS.” Release the knob once “2 PROGRAMS” is selected. The setting will flash three times before it becomes solid. **NOTE:** If the START/STOP button is pressed before the display stops flashing, it will go to the next step in the setting process.



4. Once “2 PROGRAMS” becomes solid, flashing “CYCLE 1” and the heat settings will display. Turn the knob left or right to select LOW, MEDIUM, or HIGH heat. WARM is not an option. Release the knob once a heat setting is selected; then the setting will flash three times before it becomes solid.



NOTE: To access the previous setting at any time, press the BACK button once.

5. Once the display becomes solid, the flashing “SETTING TIME” and “00:00” will display. Adjust the time setting by turning the knob to the right to increase or to the left to decrease the time. The time adjusts in 30-minute increments, with a minimum time of 30 minutes and a maximum of 24 hours. Release the knob once the time is set and the time will flash three times before becoming solid.



USING COOKING MODES

- Once the display becomes solid, flashing “CYCLE 2” and the heat settings of “WARM LOW MED HIGH” will display. Turn the knob left or right to select WARM, LOW, MEDIUM, or HIGH heat. Release the knob once a heat setting is selected; then the setting will flash three times before it becomes solid.
- Once the display becomes solid, the flashing “SETTING TIME” and “00:00” will display. Adjust the time setting by turning the knob to the right to increase or to the left to decrease the time. The time adjusts in 30-minute increments, with a minimum time of 30 minutes and a maximum of 24 hours. Release the knob once the time is set. The time and START/STOP button will start to flash.



NOTE: The total maximum combined cooking time for Cycle 1 and Cycle 2 is 24 hours.

- Press the START/STOP button to start cooking. A long chime will sound and the START/STOP button will stay illuminated. The screen will display “CYCLE 1,” the selected heat setting, and both the cycle cook time and the total cook time.
- When the Cycle 1 cook time is complete, a short chime will sound indicating the end of Cycle 1. The unit will then switch to Cycle 2, and the heat and time settings will adjust to the Cycle 2 settings.
- When Cycle 2 is complete, a long chime will sound. “COOK TIME” and “00:00” will disappear. The unit will switch to the “WARM” heat setting and the timer will begin to count up. After 4 hours on WARM, the unit will shut off automatically.
- Press the START/STOP button at any time to end cooking and turn off the unit. “OFF” will flash in the display and the cooker will chime three times.



NOTE: During the cycle, the heat setting may be adjusted at any time by turning the knob. The new selected setting will flash three times before it becomes solid and the temperature adjusts. There is no need to press the START/STOP button. The time setting may be adjusted at any point by pressing the TIMER button to reactivate time to a flashing display, and the knob may be turned to adjust the cook time.

PROGRAM WITH PROBE

Use the probe to cook food to the desired internal temperature. For many foods, such as large cuts of meat, food temperature is the best test for doneness. The temperature probe takes the guesswork out of cooking. Select the desired internal food temperature, and the cooker will automatically switch to WARM when the desired temperature is reached.

Probe feature may only be used with 1 PROGRAM.

1. Insert the plug end of the probe into the probe jack on the right side of the multi-function cooker. Insert temperature probe into the thickest part of the food. Cover the vessel with the lid, taking care to position the probe wire in the probe opening on the lid.
2. Turn selector bezel to PROGRAM. The LCD screen displays flashing setting of "1 PROGRAM."
3. Once "1 PROGRAM" becomes solid, the flashing heat settings of "LOW MED HIGH" will display. Turn the knob left or right to select LOW, MEDIUM, or HIGH heat. Release the knob once a heat setting is selected; then the setting will flash three times before it becomes solid.



NOTE: To access the previous setting at any time, press the BACK button once.

4. Once selected heat setting becomes solid, the flashing probe icon and the default temp of "155F" will display. Adjust the temperature setting by turning the knob to the right to increase or to the left to decrease the desired temperature. The temperature range is 100°–200°F. Release the knob once the probe temperature is set, and the display and the START/STOP button will start to flash and beep.

NOTE: If the probe is not plugged in, the screen will display "COOK TIME" and "00:00."

5. Press the START/STOP button to start cooking. A long chime will sound and the START/STOP button will stay illuminated. Once the cycle starts, the desired temperature setting is displayed, along with the current temperature reading of the probe with the up arrow icon.
6. When the desired temperature is reached, a long chime will sound. The probe settings will disappear. The unit will switch to the "WARM" heat setting and the timer will begin to count up. After 4 hours on WARM, the unit will shut off automatically.
7. Press the START/STOP button at any time to end cooking and turn off the unit. "OFF" will flash in the display and the cooker will chime three times.



NOTE: During the cycle, the desired temperature may be adjusted at any time by turning the knob. The new selected probe temperature will flash three times before it becomes solid. There is no need to press the START/STOP button.

Tips

SLOW COOKING

- Choose from MANUAL, MEAL TIMER, or PROGRAM modes. See pages 10–15 for complete descriptions.
- The High temperature setting is best for foods that require high heat and don't tend to overcook, such as potatoes, beans, casseroles, chili, soups, and when "baking" in one of the slow cook modes. It is a good choice when you don't have time for a long, slow cook time. 1 hour on High is equivalent to 1 1/2–2 hours on Low.
- The Medium temperature setting is a good choice for chicken, lean cuts of pork, and foods that risk overcooking or drying out.
- The Low temperature setting is best for large or tough cuts of meat that require a long, slow cook time and occasions when you need to leave a recipe cooking for a long period of time, such as overnight or during a workday.
- The Warm temperature setting is not intended for cooking food. It should only be used for keeping cooked food warm.
- The vessel should be at least half-filled for best results. If less than half-filled, check for doneness 1 to 2 hours earlier than recipe indicates.
- Thaw any meat or poultry before slow cooking.
- Do not slow cook without some liquid in the vessel. At least 1 inch (2.5 cm) of liquid at the bottom of the vessel is recommended.
- When cooking meat, the higher the fat content, the less liquid is needed. To decrease the amount of excess fat in a recipe, trim as much visible fat as possible and remove skin from poultry.
- Very little liquid evaporates from a recipe when slow cooking. When making your favorite soup or sauce, reduce the liquid called for in the recipe by a half to a full cup (118–237 ml). If recipe is too thick, liquid can be added later.
- Root vegetables such as potatoes and carrots should be cut into pieces no larger than 2 inches (5.1 cm) to ensure complete cooking.
- Some foods are not suited for extended slow cooking. Pasta, seafood, milk, cream, or sour cream should be added no more than 2 hours before serving.
- Stirring is usually not necessary when slow cooking. Removing the lid results in heat loss and extends the cooking time. When cooking a recipe on High, some occasional stirring may be recommended.
- Visit www.foodsafety.gov for more information on safe internal cooking temperatures.

RICE

Always use recommended ratios in the Rice Cooking Chart on page 18.

1. Add rice and water to the vessel in the quantities recommended in the rice chart. Cover with lid.
2. Turn selector bezel to RICE. The LCD screen displays “RICE” and flashes “1” and “2.”



3. Turn the knob to the left or right to select Setting 1 for white rice or Setting 2 for brown rice. Release the knob once the setting is selected. It will flash three times before becoming solid.
4. The LCD screen will display “00:00” and the START/STOP button will start to flash.
5. Press the START/STOP button to start the cooking cycle. A chime will sound and the START/STOP button will stay illuminated.
6. The timer will count up by minutes.
7. Once the cycle is complete, a long chime will sound. The unit will then switch to the “WARM” heat setting and the timer will count up.
8. Press the START/STOP button at any time during cooking to turn off the unit.



NOTE: If the START/STOP button is not pressed during the cooking cycle or “WARM” setting, the unit will stay on for a maximum of 6 hours and then will turn off automatically.

USING COOKING MODES

RICE COOKING CHART

SETTING 1: WHITE RICE (30- to 35-minute cook time)

Amount of Rice*	Amount of Water	Yield
2 cups (473 ml)	2 3/4 cups (651 ml)	6 cups (1.4 L)
3 cups (710 ml)	4 cups (946 ml)	9 cups (2.1 L)
4 cups (946 ml)	5 cups (1.2 L)	12 cups (2.8 L)
5 cups (1.2 L)	7 cups (1.7 L)	18 cups (4.3 L)

SETTING 2: BROWN RICE (50- to 55-minute cook time)

Amount of Rice*	Amount of Water	Yield
2 cups (473 ml)	3 1/2 cups (828 ml)	6 1/2 cups (1.5 L)
3 cups (710 ml)	4 1/2 cups (1.1 L)	9 cups (2.1 L)
4 cups (946 ml)	6 cups (1.4 L)	13 cups (3.1 L)
5 cups (1.2 L)	7 1/2 cups (1.8 L)	16–17 cups (3.8–4.0 L)

*When using converted (parboiled) rice, use an additional 1/4 cup (59 ml) water per cup of rice.

*Cooked brown rice should rest on WARM for 5 to 10 minutes before serving.

*Charts based on measuring with an 8-ounce (237-ml) dry measuring cup.

SAUTE/SEAR

Use this mode to saute vegetables or brown meat before slow cooking; to sear steaks, chicken, or fish after Sous Vide; or for recipes that require saute or sear as the only cooking mode. It has a maximum cook time of 45 minutes, including preheat. The lid can be used during preheat or to prevent splatter.

1. Turn selector bezel to SAUTE/SEAR. The LCD screen will flash “LOW MED HIGH.”
2. Turn knob to the right or left to select a heat setting. Release the knob once a heat setting is set. The selected heat setting and the START/STOP button will start to flash.
3. Press the START/STOP button to start cooking. A long chime will sound and the START/STOP button will stay illuminated.
4. The screen will display the selected heat setting with the up arrow icon indicating the temperature is rising.
5. When the selected heat setting is reached, a long chime will sound.
6. Add food to the vessel and saute or sear to desired doneness.
7. Press the START/STOP button at the end of cooking to turn off the unit, or select another mode if additional cooking is desired.
8. The unit will stay on in SAUTE/SEAR mode for a maximum time of 45 minutes.

NOTE: The heat setting can be adjusted at any time during cooking by turning the knob. The new selected heat setting will flash three times before becoming solid.



Tips

SAUTE/SEAR

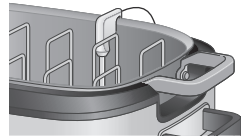
- Make sure vessel has fully preheated before adding food. This may take up to 10 minutes.
- When browning meat, be sure not to crowd the vessel. Cook large amounts in batches if needed.
- If browned meats produce excess grease, carefully drain off the fat before slow cooking.

USING COOKING MODES

SOUS VIDE

SOUS VIDE is a cooking method in which sealed food is cooked in a precisely temperature-controlled water bath, at a setting between 100°F (38°C) and 200°F (93°C). The temperature probe is used to control the temperature of the water. This method ensures even and predictable results and protects against overcooking. In this mode, the foods are seasoned and then sealed in heat-safe bags or jars. The vessel is filled with warm water and the sealed foods are added to the water bath when the desired temperature is reached. The removable rack may be used when cooking multiple bags at once. For best results, proteins may be seared before and/or after Sous Vide for a nicely browned exterior. Solid foods should be sealed in a heat-safe bag that is labelled safe for Sous Vide. Eggs or custards may be cooked in tightly sealed glass jars.

1. Add water to the vessel, allowing for food and at least 1-inch (2.5-cm) clearance between top of water and top of vessel. Place the vessel in the cooker base. Clip the temperature probe to the side of the vessel, aligning with the probe icon, and cover with the lid. Take care to align probe with the opening in the lid.
2. Plug in the plug end of the probe into the probe jack on the right side of the multi-function cooker. The probe is in the water to control the water temperature during the Sous Vide mode.
3. Turn selector bezel to SOUS VIDE. (If probe is not plugged in, the LCD screen displays “Prb.”)
4. The LCD screen will display the flashing probe icon and default probe temperature of “155F.”



5. Turn the knob to the right to increase or to the left to decrease the temperature. It will adjust in 1°F increments, and the temperature range is 100°–200°F. Release the knob once the probe temperature is set, and the display and the START/STOP button will start to flash.
6. Press the START/STOP button to start cooking. A long chime will sound and the START/STOP button will stay illuminated. Once the cycle starts, the desired temperature setting is displayed, along with the current temperature reading of the probe with the up arrow icon.
7. When the desired temperature is reached, a long chime will sound. Add the sealed food to the water bath at this time and place lid on the vessel, aligning probe opening with the probe. The unit will continue to display the probe temperature for the remainder of the cook time.
8. If desired, set the timer. Press TIMER to begin the count-up timer. The LCD screen will display “00:01” and begin counting up. Timer can only be started after the probe temperature has been reached. Timer can be turned off at any time by pressing the Timer button.
9. Press the START/STOP button at any time during cooking to turn off the unit. The START/STOP button light will then turn off and the screen will flash “OFF” three times along with three short chimes. Then “OFF” will become solid.



NOTES:

- If the START/STOP button is not pressed during cooking, the unit will stay on for a maximum of 72 hours and then turn off automatically.
- The probe temperature can be adjusted at any time by turning the knob. The new selected probe temperature will flash three times before it becomes solid.

Tips

SOUS VIDE

- Most foods cooked Sous Vide are sealed in bags using a vacuum sealer, though a vacuum sealer is not required for cooking Sous Vide. Sealed glass jars may also be used for cooking Sous Vide and are especially well-suited for recipes that require a lot of liquid or fat, such as egg or custard mixtures, beans, grains, yogurt, pickles, puddings, and other desserts.
- If using a vacuum sealer, use heat-safe bags labeled as suitable for Sous Vide. Follow vacuum sealer manufacturer directions for sealing.
- Any foods cooked for less than 8 hours can be sealed in heat-safe resealable plastic bags without a vacuum sealer, using the water displacement method:
 - Place food in bag and remove as much air as possible.
 - Close bag leaving 1-inch (2.5-cm) opening at the top.
 - Carefully submerge the bottom of bag in water until food is covered. The pressure of the water will squeeze the air out of the bag.
 - Do not allow any water to enter the bag.
 - Gently squeeze any remaining air out of bag and seal.
- Any foods cooked with more than a small amount of liquid should not be vacuum-sealed. Liquid could be sucked into vacuum sealer and cause damage.
- When cooking fish, do not vacuum bags tightly. About 75% vacuum is desirable, or use the water displacement method.
- Food may be sealed in bags in advance and stored in the refrigerator overnight, or in the freezer, to save time before cooking.
- To reduce the time required to heat the water to the proper temperature, fill the vessel with warm tap water. If cooking at higher temperatures, fill the vessel with hot tap water. The probe will provide a constant temperature reading of the water in the display. If the water is hotter than selected temperature, add ice cubes to lower the water temperature.
- Frozen foods may be cooked Sous Vide without thawing first, but adding frozen foods to the water bath will lower water temperature. In general, an extra hour should be added to total cooking time to allow food to fully thaw and reach the desired temperature.
- Food safety: Cooking Sous Vide is just as safe as traditional cooking methods even though food is cooked at a lower temperature than in other cooking methods.
 - The times and temperatures provided in the chart on pages 23–24 are what is necessary for pasteurization.
 - Food safety is determined by a combination of what you are cooking, how long you cook it, and at what temperature.
 - To minimize any risk of foodborne illness, always start with the freshest possible foods and use safe handling practices.
 - For more information on safe internal cooking and pasteurization temperatures, consult www.foodsafety.gov or fsis.usda.gov.

SOUS VIDE CHART

NOTES:

- For thicker meat, chicken, and fish, cooking time will be longer.
- Visit www.foodsafety.gov or fsis.usda.gov for more information on safe internal cooking temperatures.

FOOD AND DONENESS	TEMPERATURE	TIME
Steak (1 to 1 1/4-inch [2.5- to 3.1-cm] thick)		
Very rare to rare	125°F (52°C)	1 to 3 hours
Medium-rare	130°–135°F (54°–57°C)	1 to 4 hours
Medium	140°F (60°C)	1 to 4 hours
Medium-well	150°F (66°C)	1 to 4 hours
Well-done	155°F (68°C)	1 to 4 hours
Pork		
Shoulder/Boston Butt, well-done, 3–4 pounds (1.4–1.8 kg)	185°F (85°C)	8 to 10 hours
Tenderloin, medium, 1 1/2–2 pounds (0.7–0.9 kg)	145°F (63°C)	2 to 4 hours
Loin, medium, 2–3 pounds (0.9–1.4 kg)	150°F (66°C)	3 to 4 hours
Boneless chops, medium, 3/4-inch [1.9-cm] thick	140°F (60°C)	1 to 2 hours
Bone-in chops, medium, 1-inch [2.5-cm] thick	145°F (63°C)	1 to 2 hours
Bone-in ribs, 1 full rack, 3–4 pounds (1.4–1.8 kg)	165°F (74°C)	12 to 14 hours
Chicken, boneless white meat (5 to 6 ounces [142–170 g])		
Very soft and juicy	140°F (60°C)	1 to 3 hours
Tender and juicy	150°F (66°C)	1 to 3 hours
Firm and juicy	160°F (71°C)	1 to 3 hours
Chicken, boneless dark meat (5 to 6 ounces [142–170 g])		
Tender and juicy	167°–170°F (75°–77°C)	1 1/2 to 3 hours

USING COOKING MODES

FOOD AND DONENESS	TEMPERATURE	TIME
Fish (5 to 6 ounces [142–170 g])		
Very lightly cooked, medium-rare and tender	110°–120°F (43°–49°C)	30 to 40 minutes
Medium, tender and flaky	122°–130°F (50°–54°C)	30 to 40 minutes
Well-done, firm and flaky	135°–140°F (57°–60°C)	30 to 40 minutes
Vegetables		
Asparagus spears	185°F (85°C)	10 minutes
Beets, cut into 2-inch (5.1-cm) pieces	185°F (85°C)	2 1/2 to 3 hours
Broccoli (small flowerets)	185°F (85°C)	30 to 40 minutes
Carrots, cut into 2-inch (5.1-cm) pieces	185°F (85°C)	30 to 45 minutes
Cauliflower (small flowerets)	185°F (85°C)	1 to 1 1/2 hours
Cherry or grape tomatoes, halved	185°F (85°C)	20 to 30 minutes
Corn-on-the-cob	185°F (85°C)	30 to 45 minutes
Mushrooms, halved	195°F (91°C)	1 hour
Onions, cut into 2-inch (5.1-cm) pieces	185°F (85°C)	1 to 1 1/2 hours
Potatoes, cut into 2-inch (5.1-cm) pieces	185°F (85°C)	2 to 2 1/2 hours
Spinach leaves	185°F (85°C)	5 minutes
Squash, cut into 2-inch (5.1-cm) pieces	185°F (85°C)	1 to 1 1/2 hours
Tomatoes, halved	185°F (85°C)	20 to 30 minutes
Fruits		
Apples, halved and cored	185°F (85°C)	1 1/2 hours
Pears, halved and cored	185°F (85°C)	1 1/2 hours

Care Recommendations

⚠ WARNING Electrical Shock Hazard:

Do not clean with metal scouring pads. Pieces can break off pad and touch electrical parts, causing a risk of electric shock.

Your multi-function cooker should be cleaned regularly for best performance and long life. Regular cleaning will also reduce the risk of fire hazard.

BEFORE CLEANING

1. Unplug multi-function cooker and let cool.

CLEANING

Control Panel Display	Wipe with a slightly damp sponge. Protect display when cleaning any other surfaces.
Stainless Steel Exterior	Use a nonabrasive stainless steel cleaner, such as Signature Polish, and apply with a soft lint-free cloth. To bring out the natural luster, lightly wipe surface with a water-dampened microfiber cloth followed by a dry polishing cloth. Always follow the grain of stainless steel. Signature Polish can be ordered via their website at www.signaturepolishonline.com .
Non-Stainless Steel Exterior	Wipe outside of multi-function cooker with a damp cloth or spray with all-purpose cleaner. Wipe clean with a lint-free cloth. Do not use abrasive cleaners or metal scouring pads.
Interior of Multi-Function Cooker	Wipe inside walls and bottom of multi-function cooker with a damp, soapy cloth.
Stainless Steel Vessel	<p>Allow vessel to cool before washing. Hand-wash in warm soapy water with a sponge, dishcloth, or plastic pad after each use, or wash in dishwasher.</p> <p>Avoid using steel wool, steel scouring pads, or harsh detergents.</p> <p>The vessel is dishwasher-safe.</p> <p>High temperatures and harsh detergents can discolor the vessel.</p> <p>Gold-brown or blue heat tints may result from overheating and/or mineral residue. To clean, make a paste with water and a nonabrasive stainless steel cleaner or baking soda. DO NOT USE A CLEANER THAT CONTAINS CHLORINE BLEACH. Apply the paste to the vessel with a sponge or cloth while it is still warm and rub in one direction. Wash again, rinse, and dry.</p> <p>Although stainless steel is very durable, it is not indestructible. Pitting may result if undissolved salt is allowed to remain in the bottom of the vessel. Do not allow acidic foods or foods that have been seasoned to remain in cookware for long periods of time.</p>
Probe	Clean the probe with warm, soapy water. Rinse and dry thoroughly with a clean cloth.

Troubleshooting

“Prb” is flashing.

- Probe is not inserted. Please check connection.

“Err 1” is flashing.

- Probe is broken. Contact our customer care center.

“Err 3” is flashing.

- Probe is plugged in during MANUAL, MEAL TIMER, RICE or SAUTE/SEAR modes. Remove probe.

“Err 4” or “Err 5” is flashing.

- Cooking temperature control is broken. Contact our customer care center.

“Err 6” is flashing.

- Cooking vessel is not in place or not seated correctly. Insert vessel or adjust in cooking unit.

Wolf Gourmet Residential Limited Warranty

FOR RESIDENTIAL USE

LIMITED FIVE YEAR WARRANTY

This Wolf Gourmet product warranty applies only to appliances. Wolf Gourmet warrants appliances to be free from defects in materials or workmanship for a period of five (5) years from the date of original purchase.

LIFETIME LIMITED WARRANTY

This Wolf Gourmet product warranty applies only to cookware and cutlery products. Wolf Gourmet warrants cookware and cutlery to be free of defects in materials or workmanship for the lifetime of the product. Minor imperfections and discolorations are normal and are not considered defects.

TERMS APPLICABLE TO EACH WARRANTY

This Wolf Gourmet Residential Limited Warranty applies to appliances, cookware and cutlery purchased and used in the U.S. This is the only express warranty for this product and is in lieu of any other warranty.

During the warranty period, your exclusive remedy is repair or replacement of the product or any component found to be defective, at our option. All service provided by Wolf Gourmet under this warranty must be performed by Wolf Gourmet factory-certified service, unless otherwise approved in advance by Wolf Gourmet, and all service will be provided during normal business hours.

This warranty does not cover wear from normal use, use not in conformity with the printed directions, or damage to the product resulting from negligence, accident, alteration, abuse, misuse, or improper service or repair. This warranty is void if the product is used for other than residential use or subjected to any voltage or waveform other than as specified on the rating label (e.g., 120 V ~ 60 Hz). This warranty extends only to the original consumer purchaser or initial gift recipient.

Wolf Gourmet excludes all claims for special, incidental, and consequential damages caused by breach of express or implied warranty. All liability is limited to the amount of the purchase price. EVERY IMPLIED WARRANTY, INCLUDING ANY WARRANTY OF MERCHANTABILITY OR FITNESS FOR A PARTICULAR PURPOSE, IS DISCLAIMED EXCEPT TO THE EXTENT PROHIBITED BY LAW, IN WHICH CASE SUCH WARRANTY IS LIMITED TO THE DURATION OF THIS WRITTEN WARRANTY. This warranty gives you specific legal rights. You may have other legal rights that vary depending on where you live. Some states do not allow limitations on implied warranties or special, incidental or consequential damages, so the foregoing limitations may not apply to you.

To make a warranty claim and receive the name of the Wolf Gourmet factory-certified service personnel nearest to you, please contact Wolf Appliance, Inc., PO Box 44848, Madison, WI 53744; or visit the contact & support section of our website at wolfgourmet.com/warranty; or email us at customerservice@subzero.com; or call 800.222.7820. For faster service, please locate the model, type and series numbers on your product's rating label.



Bienvenue

Nous souhaitons vous remercier d'avoir fait l'achat de ce produit Wolf Gourmet. Nous serions ravis de faire partie de votre cuisine pour les années à venir. Wolf appartient à la troisième génération d'une entreprise familiale qui a un intérêt particulier dans la préparation de vos aliments. Puisqu'il s'agit d'une question de famille, Wolf porte une attention spéciale aux détails et se dévoue à la création de produits exceptionnels sans aucun compromis. Nous avons bâti notre entreprise et notre réputation sur le soutien que nous apportons aux cuisiniers à la maison, afin qu'ils obtiennent les meilleurs résultats possible. Grâce au contrôle précis qu'offre Wolf Gourmet, le plat que vous projetez est le plat que vous servirez.



Table des matières

- 30 Précautions de sécurité
- 32 Caractéristiques et pièces de lamijoteuse multifonctions Wolf Gourmet
- 34 Entrée en matière
- 37 Utilisation des modes de cuisson
- 53 Recommandations d'entretien
- 55 Dépannage
- 56 Garantie Wolf Gourmet

Service à la clientèle

En tant que propriétaire d'un appareil Wolf Gourmet, vous pouvez compter sur notre appui. Notre centre de service à la clientèle est ouvert à toute heure du jour et de la nuit, et ce, toute la semaine. En outre, il compte sur des experts des produits se trouvant à notre siège de Madison au Wisconsin. Si le besoin se fait sentir, vous n'avez qu'à composer le 800.222.7820 pour parler à un de nos experts. Au Mexique, veuillez appeler le service à la clientèle au 1 800 400-4372, du lundi au vendredi, de 9 h à 19 h. Nous sommes certains que le présent manuel répondra aux interrogations que vous pourriez avoir concernant les fonctions, l'utilisation et l'entretien de votre produit Wolf Gourmet. Toutefois, si vous avez d'autres questions, veuillez nous contacter par téléphone ou nous visiter en ligne sur wolfgourmet.com.

Enregistrement de votre produit

Nous vous encourageons fortement à enregistrer votre appareil Wolf Gourmet. Il est important pour nous que vous puissiez tirer le meilleur de vos produits. En vous enregistrant, vous pourrez :

- Devenir un initié culinaire Wolf Gourmet.
- Obtenir un soutien continu de Wolf Gourmet.
- Activer votre garantie et enregistrer votre achat.
- Être alerté en cas de mises à jour du service.
- Recevoir des courriels occasionnels pour vous aider à prendre soin et à profiter de vos appareils.

Pour enregistrer votre produit, visitez le site wolfgourmet.com/registration ou appelez au 800.222.7820. Au Mexique, veuillez visiter le site wolfgourmet.com.mx ou appelez au 01 800 400 4372.

PRÉCAUTIONS IMPORTANTES

Pour utiliser un appareil électroménager, vous devez toujours prendre des mesures élémentaires de sécurité pour réduire le risque d'incendie, d'électrocution et/ou de blessure corporelle, en particulier les mesures suivantes :

- Lire toutes les instructions.
- Cet appareil n'est pas destiné à être utilisé par des personnes (y compris les enfants) dont les capacités physiques, sensorielles ou mentales sont réduites, ou manquant d'expérience et de connaissance, sauf si elles sont étroitement surveillées et instruites sur l'utilisation de l'appareil par une personne responsable de leur sécurité.
- Une surveillance étroite est requise pour tout appareil utilisé par ou près des enfants. Surveiller que les enfants ne jouent pas avec l'appareil.
- Ne pas toucher aux surfaces chaudes. Utiliser des gants de cuisinier.
- Pour éviter l'électrocution, ne pas immerger le cordon, la fiche, ni la base dans l'eau ou tout autre liquide.
- Débrancher de la prise de courant à la fin de l'utilisation et avant le nettoyage. Laisser refroidir avant d'insérer ou d'enlever des pièces.
- Ne pas faire fonctionner un appareil électroménager avec un cordon ou une fiche endommagée, ou lorsque l'appareil ne fonctionne pas bien ou a été échappé ou endommagé d'une manière quelconque. Le remplacement et la réparation du cordon d'alimentation doivent être faits par le fabricant, son agent de service ou toute personne qualifiée de façon à éviter tout danger. Appeler le numéro de service à la clientèle fourni pour des renseignements concernant l'examen, la réparation ou l'ajustement.
- L'utilisation d'accessoires non recommandés par le fabricant de l'appareil représente un risque de blessures.
- Ne pas utiliser à l'extérieur.
- Ne pas laisser le cordon pendre du bord d'une table ou d'un comptoir, ou toucher des surfaces chaudes y compris la cuisinière.
- Ne pas placer l'appareil sur ou près d'un brûleur chaud à gaz ou électrique ou dans un four chauffé.
- Faire preuve d'une prudence extrême lors du déplacement d'un appareil contenant de l'huile chaude ou d'autres liquides chauds.
- Pour débrancher la mijoteuse multifonctions, appuyer sur le bouton START/STOP (marche/arrêt) pour l'éteindre puis débrancher la fiche de la prise de courant.
- Utiliser uniquement sur un comptoir.
- **AVERTISSEMENT !** Les aliments renversés peuvent causer des brûlures graves. Garder l'appareil et son cordon éloignés des enfants. Ne jamais disposer le cordon près du bord d'un comptoir et ne jamais utiliser une prise de courant sous le comptoir et ne jamais utiliser de rallonge.
- Cet appareil n'est pas conçu pour frire les aliments.
- Ne pas utiliser l'appareil autrement que pour l'usage auquel il est destiné.

CONSERVER CES INSTRUCTIONS

Autres consignes de sécurité pour le consommateur

Cet appareil est conçu pour un usage domestique seulement.

⚠ AVERTISSEMENT **Risque de choc électrique** : Cet appareil est fourni avec une fiche à prise de terre (3 broches) pour réduire le risque de choc électrique. La fiche ne tient que dans un sens dans une prise mise à la terre. Ne pas transformer le dispositif de sécurité de la fiche en modifiant celle-ci de quelconque façon ou en utilisant un adaptateur. Si vous ne pouvez pas insérer la fiche dans la prise, faire remplacer la prise par un électricien.

PIÈCES ET CARACTÉRISTIQUES

1 Couvercle

1a Ouverture pour sonde

2 Support pour cuisson sous vide

3 Récipient en acier inoxydable

4 Afficheur du panneau de commande

5 Bouton BACK

6 Bouton de Start/Stop (marche/arrêt)

7 Sélecteur de mode

8 Plaque signalétique

9 Bouton de durée/température

10 Bouton de minuterie

11 Base

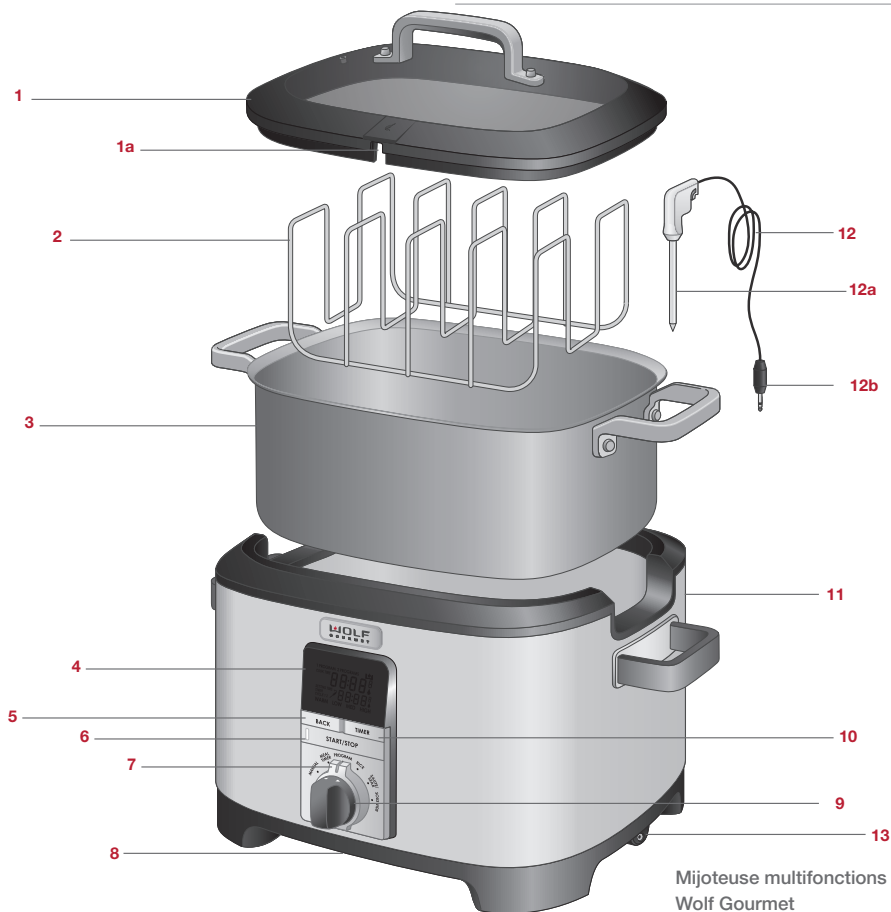
12 Sonde

12a Sonde de température – insérée dans l'aliment ou l'eau

12b Fiche – insérée dans la prise pour sonde

13 Prise pour sonde

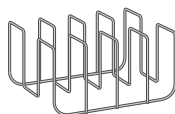
⚠ ATTENTION : SURFACE CHAUE.
Les surfaces extérieures et les poignées deviendront chaudes. Utiliser des gants de cuisinier ou laisser refroidir complètement l'appareil avant de déplacer ou retirer des pièces.



Mijoteuse multifonctions
Wolf Gourmet

Pièces et caractéristiques

1. Couvercle : Le couvercle doit être utilisé avec les modes MANUAL (manuel), MEAL TIMER (minuterie de cuisson), PROGRAM (programme), RICE (riz) et SOUS VIDE. Ce couvercle peut être utilisé avec le mode SAUTE/SEAR (sauter/saisir) pendant le préchauffage ou pour éviter les éclaboussures. Ce couvercle est lavable au lave-vaisselle et sécuritaire pour le four jusqu'à une température de 450 °F (232 °C).
- a. Ouverture pour sonde : L'ouverture pour sonde est l'endroit où la sonde doit être placée si l'on utilise la sonde avec le mode sous vide et certains modes de cuisson lente.



2. Support pour sous vide : Le support pour cuisson sous vide est amovible et utilisé avec le mode SOUS VIDE, si désiré, pour séparer les sacs hermétiques individuels d'aliments et assurer un chauffage adéquat de l'eau.
3. Récipient en acier inoxydable : Le récipient en acier inoxydable doit être inséré dans la mijoteuse pour que ce dernier fonctionne. Le récipient peut aussi être utilisé dans un four ou sur une cuisinière à gaz, électrique ou à induction. Ce récipient est sécuritaire jusqu'à une température de 450 °F (232 °C) et lavable au lave-vaisselle.

4. Afficheur du panneau de commande : L'afficheur indique les réglages de température et de durée, les réglages de température de la sonde, les messages d'erreur, les icônes de la sonde et le logo Wolf Gourmet lorsque l'appareil est en mode de veille.
5. Bouton BACK : Appuyer sur le bouton BACK pour retourner à l'étape précédente et modifier le dernier réglage enregistré.
6. Bouton Start/Stop : Appuyer sur le bouton START/STOP (marche/arrêt) pour mettre l'appareil en marche ou annuler le mode sélectionné. Le témoin s'allumera en rouge et un signal sonore se fait entendre dès que le cycle commence. Ce bouton est aussi utilisé pour activer ou désactiver la minuterie.
7. Sélecteur de mode : Tourner le sélecteur jusqu'au mode de cuisson désiré : MANUAL (manuel), MEAL TIMER (minuterie de cuisson), PROGRAM (programme), RICE (riz), SAUTE/SEAU (sauter/saisir) ou SOUS VIDE.



8. Plaque signalétique : Le numéro de modèle et les informations de caractéristiques nominales se trouvent sous la base de la mijoteuse multifonctions.
9. Bouton Time/Temperature : Ce bouton est utilisé pour régler la durée et la température des différents modes de cuisson.
10. Bouton Timer : Le bouton TIMER (minuterie) est utilisé avec les modes PROGRAM (programme) et SOUS VIDE.
11. Base : Le récipient en acier inoxydable doit être déposé dans la base afin que la mijoteuse multifonctions fonctionne.
12. Sonde :
 - a. Sonde de température – Cette sonde longue avec une extrémité pointue est une sonde de température qui doit être insérée dans l'eau avec le mode SOUS VIDE ou pour lire la température interne et assurer une cuisson parfaite avec le mode PROGRAM (programme).
 - b. Fiche – La fiche de la sonde doit être branchée dans la prise pour sonde située sur le côté droit de la mijoteuse multifonctions.
13. Prise pour sonde : La prise pour sonde est située au bas et à droite de la mijoteuse multifonctions et c'est à cet endroit que la sonde doit être branchée.

Entrée en matière

CHOIX D'UN MODE DE CUISSON

Modes de cuisson lente :

1. Le mode MANUAL (manuel) fonctionne comme une mijoteuse non programmable classique et offre quatre réglages d'intensité de chaleur : WARM (CHAUD), LOW (basse), MEDIUM (moyenne) ou HIGH (élevée). La minuterie indique le compte à rebours et la mijoteuse multifonctions reste en marche tant que le bouton START/STOP (marche/arrêt) n'est pas enfoncé ou s'éteint automatiquement après 24 heures.

REMARQUE : WARM (chaud) ne doit pas être utilisé pour la cuisson. Il peut être utilisé seulement lorsque la cuisson est terminée afin de garder les aliments au chaud.

2. Le mode MEAL TIMER (minuterie de cuisson) permet de régler le nombre d'heures de cuisson selon le repas à servir et sans égard aux instructions de recette. Aucune intensité de chaleur n'est sélectionnée. Ce mode règle la température selon l'heure du service. Cette caractéristique est bien adaptée aux recettes à longue durée de cuisson lente comme pour les gros morceaux de viande, les combinaisons de viande et légumes, les soupes et les ragoûts. Ce mode passe automatiquement à WARM (chaud) à la fin du cycle de cuisson.

3. Le mode PROGRAM (programme) offre trois options permettant de personnaliser l'expérience de cuisson. Il est idéal lorsque vous êtes à l'extérieur de la maison lorsque les aliments sont cuits. La mijoteuse passera automatiquement à WARM (chaud) après l'une ou l'autre de ces trois options.
 - a. 1 PROGRAM – Pour sélectionner une intensité de chaleur et une durée pour un cycle complet de cuisson.
 - b. PROGRAMME AVEC SONDE –Sélectionner une intensité de chaleur et la sonde pour cuire des aliments selon une température interne donnée. Cette méthode est parfaite pour cuire des aliments pouvant surcuire facilement comme les coupes maigres de viande ou pour effectuer la lecture de la température afin de vérifier le stade de cuisson. La mijoteuse passera automatiquement au mode WARM dès que la température désirée est atteinte.
 - c. 2 PROGRAMMES – Sélectionner deux intensités de chaleur et de durées différentes pour un cycle de cuisson. Par exemple, programmer la cuisson à intensité HIGH (élevée) pendant 4 heures puis à intensité LOW (basse) pendant 3 heures. Cette méthode est idéale pour diminuer la durée de cuisson des aliments comme les viandes à braiser afin de les réchauffer rapidement à intensité HIGH (élevée) puis d'attendrir la viande à intensité LOW (basse).

Autres modes de cuisson :

4. Le mode RICE (riz) offre deux réglages : 1 et 2. Le réglage 1 est utilisé pour le riz blanc. Le réglage 2 est utilisé pour le riz brun. Consulter le tableau de cuisson du riz à la page 46 sous « Utilisation des modes de cuisson ».
5. Le mode SAUTE/SEAR (sauter/saisir) offre trois réglages de température : LOW (basse), MEDIUM (moyenne), et HIGH (élevée). Utiliser ce mode pour sauter des aliments avant la cuisson lente et après la cuisson sous vide ou pour les recettes demandant de faire sauter ou saisir les aliments comme seul mode de cuisson. La durée de cuisson maximum est de 45 minutes, y compris le préchauffage.
6. Le mode SOUS VIDE est méthode de cuisson pour des aliments ensachés sous vide selon une température précise dans un bain d'eau et un réglage de température entre 100 et 200 °F (38 et 93 °C). La sonde de température est utilisée pour contrôler la température de l'eau. Cette méthode assure des résultats uniformes et prévisibles tout en évitant la surcuisson. Avec ce mode, les aliments sont assaisonnés puis emballés dans des sacs ou des pots à l'épreuve de la chaleur. Le récipient est rempli d'eau chaude et les aliments scellés sont mis dans le bain d'eau lorsque la température désirée est atteinte.

Description		Idéal pour	Sélection de intensité de chaleur par l'utilisateur	Sélection de durée par l'utilisateur	Passé à WARM (chaud) à la fin du cycle
Manual	Sélectionner Warm (chaud), Low (basse), Medium (moyenne) ou High (élevée)	Les recettes traditionnelles à cuisson lente, les aliments à surveiller ou pour profiter d'une cuisson longue. Cuisson jusqu'à ce que le bouton START/STOP (marche/arrêt) soit enfoncé pour jusqu'à 24 heures. Utiliser le réglage Warm (chaud) pour garder les aliments au chaud.	X		
Minuterie de cuisson	Sélectionner le nombre d'heures jusqu'au service	Pour éliminer l'incertitude du réglage de température à choisir. Choisir la durée de cuisson et la mijoteuse réglera automatiquement la chaleur afin d'éviter la surcuisson. Idéal pour les gros morceaux de viande ou de volaille et les combinaisons de viande et légumes.		X	X
1 programme	Régler 1 intensité de chaleur et durée du cycle	Respecter l'intensité de chaleur et la durée spécifiques d'une recette. Idéal pour les petites pièces de viande, de volaille ou de poisson, les entrées, casseroles et desserts.	X	X	X
1 programme avec sonde	Sélectionner la température d'aliments désirée.	Les aliments à cuire selon une température précise comme le poulet et certaines coupes de porc et de bœuf.	X		X
2 programmes	Sélectionner 2 intensités de chaleur et durées de cycles	Pour personnaliser les recettes selon un horaire ou préférence. Par exemple, pour accélérer la durée de cuisson et profiter en même temps des avantages d'une cuisson lente pour attirer la viande – sélectionner « 1 Program » à intensité HIGH (élevée) pendant 2 heures et « 2 Program » à intensité LOW (basse) pendant 6 heures.	X	X	X

Utilisation des modes de cuisson

MANUAL (manuel)

Le mode MANUAL (manuel) fonctionne comme une mijoteuse non programmable classique et offre quatre réglages d'intensité de chaleur : WARM (chaud), LOW (basse), MEDIUM (moyenne) ou HIGH (élevée). La minuterie indique le compte à rebours et la mijoteuse multifonctions reste en marche tant que le bouton START/STOP (arrêt/marche) n'est pas enfoncé ou s'éteint automatiquement après 24 heures.

REMARQUE : WARM (chaud) ne doit pas être utilisé pour la cuisson. Il peut être utilisé seulement lorsque la cuisson est terminée afin de garder les aliments au chaud.

1. Mettre les aliments dans le récipient et couvrir avec le couvercle.
2. Tourner le sélecteur jusqu'à MANUAL (manuel). Les réglages d'intensité de chaleur WARM LOW MED HIGH (chaud, basse, moyenne, élevée) clignoteront à l'afficheur ACL.
3. Tourner le bouton vers la gauche ou la droite pour sélectionner l'intensité de chaleur. Relâcher le bouton lorsque l'intensité de chaleur a été sélectionnée. Le réglage et le bouton START/STOP (marche/arrêt) clignoteront.
4. Appuyer sur le bouton START/STOP (marche/arrêt) pour commencer la cuisson. Un long signal sonore se fera entendre et le bouton START/STOP (marche/arrêt) reste allumé. Le réglage de température sera fixe et la minuterie commencera le comptage progressif.

REMARQUE : Pendant le cycle, l'utilisateur peut régler l'intensité de chaleur en tout temps en tournant le bouton. Le nouveau réglage sélectionné clignotera trois fois puis deviendra fixe et la température se réglera. Il n'est pas nécessaire d'appuyer sur le bouton START/STOP (marche/arrêt).

5. Appuyer sur le bouton START/STOP (marche/arrêt) en tout temps pour terminer la cuisson et éteindre l'appareil. Le mot « OFF » (arrêt) clignotera à l'afficheur et la mijoteuse émettra trois signaux sonores.



MEAL TIMER (minuterie de cuisson)

Le mode MEAL TIMER (minuterie de cuisson) permet de régler le nombre d'heures de cuisson selon le repas à servir et sans égard aux instructions de recette. Aucune intensité de chaleur n'est sélectionnée. Ce mode règle la température selon l'heure du service. Cette caractéristique est bien adaptée aux recettes à longue durée de cuisson lente comme pour les gros morceaux de viande, les combinaisons de viande et légumes, les soupes et les ragoûts. Ce mode passe automatiquement à WARM (chaud) à la fin du cycle de cuisson.

1. Mettre les aliments dans le récipient et couvrir avec le couvercle.
2. Tourner le sélecteur jusqu'à MEAL TIMER (minuterie de cuisson).
3. La durée de cuisson minimum de 4 heures et maximum de 12 heures par défaut clignotera à l'afficheur ACL.
4. Régler la durée de cuisson en tournant le bouton vers la droite pour augmenter la durée ou vers la gauche pour diminuer la durée de cuisson. La durée se règle par incréments de 30 minutes et selon une durée de cuisson entre un minimum de 4 heures et un maximum de 12 heures.
5. Relâcher le bouton dès que la durée de cuisson est réglée. La durée de cuisson sera affichée et le bouton START/STOP (marche/arrêt) clignotera.
6. Appuyer sur le bouton START/STOP (marche/arrêt) pour commencer la cuisson. Un long signal sonore se fera entendre et le bouton START/STOP (marche/arrêt) restera allumé. La durée de cuisson sélectionnée sera fixe et la minuterie commencera le compte à rebours.
7. Lorsque la durée de cuisson est écoulée, un long signal sonore se fera entendre. « COOK TIME » (durée de cuisson) et « 00:00 » s'éteindront. L'appareil passera au réglage d'intensité « WARM » (chaud) et la minuterie commencera le comptage progressif. Après 4 heures au réglage WARM (chaud), l'appareil s'éteindra automatiquement.
8. Appuyer sur le bouton START/STOP (marche/arrêt) en tout temps pour terminer la cuisson et éteindre l'appareil. Le mot « OFF » (arrêt) clignotera à l'afficheur et la mijoteuse émettra trois signaux sonores.



MODES DE PROGRAMMES

Le mode PROGRAM offre 3 options de cuisson lente : 1) Programmer un réglage de température et de durée de cuisson pour 1 cycle et 2) Programmer pour deux réglages de température et de durées de cuisson et 3) avec la sonde pour régler la température finale désirée.

1 PROGRAM (1 programme)

Sélectionner un réglage de température et de durée pour tout le cycle de cuisson. Ce mode passera automatiquement à WARM (chaud) à la fin du cycle.

1. Mettre les aliments dans le récipient et couvrir avec le couvercle.
2. Tourner le sélecteur jusqu'à PROGRAM (programme). Les mots « 1 PROGRAM » et « 2 PROGRAMS » clignoteront à l'afficheur ACL.
3. Tourner le bouton vers la gauche pour sélectionner « 1 PROGRAM ». Relâcher le bouton dès que « 1 PROGRAM » est sélectionné. Le réglage clignotera trois fois avant de devenir fixe.

REMARQUE : Si le bouton START/STOP [marche/arrêt] est enfoncé avant la fin du clignotement, le programme passera à la prochaine étape de procédure de réglage.

4. Dès que le mot « 1 Program » est fixe, les réglages de température « LOW MED HIGH » (basse, moyenne, élevée) clignoteront à l'afficheur. Tourner le bouton vers la gauche ou la droite pour sélectionner le réglage d'intensité de température désiré, soit LOW MEDIUM ou HIGH (basse, moyenne ou élevée). Relâcher le bouton dès que le réglage de température est sélectionné et le réglage sélectionné clignotera trois fois avant de devenir fixe.

REMARQUE : Pour retourner au réglage précédent en tout temps, appuyer une fois sur le bouton BACK.

5. Dès que le réglage de température sélectionné est fixe, les mots « COOK TIME » (durée de cuisson) et « 00:00 » s'afficheront. Régler la durée de cuisson en tournant le bouton vers la droite pour augmenter la durée ou vers la gauche pour diminuer la durée de cuisson. La durée se règle par incréments de 30 minutes et selon une durée de cuisson entre un minimum de 4 heures et un maximum de 12 heures. Relâcher le bouton dès que la durée est réglée. La durée et le bouton START/STOP (marche/arrêt) clignoteront.
6. Appuyer sur le bouton START/STOP (marche/arrêt) pour commencer la cuisson. Un long signal sonore se fera entendre et le bouton START/STOP (marche/arrêt) reste allumé. La durée de cuisson sélectionnée sera fixe et la minuterie commencera le compte à rebours.
7. Lorsque la durée de cuisson est écoulée, un long signal sonore se fera entendre. « COOK TIME » (durée de cuisson) et « 00:00 » s'éteindront. L'appareil passera au réglage « WARM »(chaud) et la minuterie commencera le comptage progressif. Après 4 heures au réglage WARM (chaud), l'appareil s'éteindra automatiquement.



UTILISATION DES MODES DE CUISSON

- Appuyer sur le bouton START/STOP (marche/arrêt) en tout temps pour terminer la cuisson et éteindre l'appareil. Le mot « OFF » (arrêt) clignotera à l'afficheur et la mijoteuse émettra trois signaux sonores.

REMARQUE : Pendant le cycle, l'utilisateur peut régler l'intensité de chaleur en tout temps en tournant le bouton. Le nouveau réglage sélectionné clignotera trois fois puis deviendra fixe et la température se réglera. Il n'est pas nécessaire d'appuyer sur le bouton START/STOP (marche/arrêt). Le réglage de durée peut être modifié en tout temps en appuyant sur le bouton TIMER (minuterie) afin de réactiver la durée clignotante à l'afficheur et en tournant le bouton pour régler la durée de cuisson.

2 PROGRAMS (2 programmes)

Sélectionner deux réglages de température et de durées de cuisson pour un cycle de cuisson. Par exemple, programmer la cuisson à intensité HIGH (élevée) pendant 4 heures puis à intensité LOW (basse) pendant 3 heures. Ce programme est idéal pour écouter la durée de cuisson des aliments comme les viandes à braiser à chauffer rapidement à intensité HIGH (élevée) puis passer à intensité LOW (basse) pour attendrir la viande.

- Mettre les aliments dans le récipient et couvrir avec le couvercle.
- Tourner le sélecteur jusqu'à PROGRAM (programme). Les mots « 1 PROGRAM » et « 2 PROGRAMS » clignoteront à l'afficheur ACL.
- Tourner le bouton vers la gauche pour sélectionner « 2 PROGRAMS ». Relâcher le bouton dès que « 2 PROGRAMS » est sélectionné. Le réglage clignotera trois fois avant de devenir fixe. **REMARQUE :** Si le bouton START/STOP [marche/arrêt] est enfoncé avant la fin du clignotement, le programme passera à la prochaine étape de procédure de réglage.



- Dès que le mot « 2 PROGRAMS » est fixe, les mots « CYCLE 1 » clignoteront à l'afficheur et les réglages de température s'afficheront. Tourner le bouton vers la gauche ou la droite pour sélectionner le réglage de température désiré, soit LOW, MEDIUM ou HIGH (basse, moyenne ou élevée). Relâcher le bouton dès que le réglage de température est sélectionné et le réglage sélectionné clignotera trois fois avant de devenir fixe.



REMARQUE : Pour retourner au réglage précédent en tout temps, appuyer une fois sur le bouton BACK.

- Dès que le réglage de température sélectionné est fixe, les mots « SETTING TIME » (réglage de durée) et « 00:00 » s'afficheront. Régler la durée de cuisson en tournant le bouton vers la droite pour augmenter la durée ou vers la gauche pour diminuer la durée de cuisson. La durée se règle par incréments de 30 minutes et selon une durée de cuisson maximum de 12 heures. Relâcher le bouton dès que la durée est réglée et la durée clignotera trois fois avant de devenir fixe.



- Dès que l'afficheur cesse de clignoter, le mot « CYCLE 2 » et les réglages de température « WARM LOW MED HIGH » (chaud, basse, moyenne, élevée) apparaîtront à l'afficheur. Tourner le bouton vers la gauche ou la droite pour sélectionner l'intensité de chaleur WARM (chaud), LOW (basse), MEDIUM (moyenne) ou HIGH (élevée). Relâcher le bouton dès que le réglage de température est sélectionné; le réglage clignotera trois fois avant de passer au fixe.



- Dès que le réglage de température sélectionné est fixe, les mots « SETTING TIME » (réglage de durée) et « 00:00 » s'afficheront. Régler la durée de cuisson en tournant le bouton vers la droite pour augmenter la durée ou vers la gauche pour diminuer la durée de cuisson. La durée se règle par incréments de 30 minutes et selon une durée de cuisson maximum de 12 heures. Relâcher le bouton dès que la durée est sélectionnée. Le mot TIME (durée) et le bouton START/STOP (marche/arrêt) clignoteront.



REMARQUE : La durée de cuisson maximum des cycles 1 et 2 est de 24 heures.

- Appuyer sur le bouton START/STOP (marche/arrêt) pour commencer la cuisson. Un long signal sonore retentira et le bouton START/STOP (marche/arrêt) restera allumé. L'afficheur indiquera « CYCLE 1 », le réglage de température sélectionné ainsi que la durée du cycle de cuisson et la durée de cuisson totale.



UTILISATION DES MODES DE CUISSON

9. Lorsque la durée du cycle 1 est écoulée, un court signal sonore retentira pour indiquer la fin du cycle 1. L'appareil passera au cycle 2 et les réglages de température et de durée s'adapteront aux réglages du cycle 2.
10. Un long signal sonore retentira dès la fin du cycle 2. Les mots « COOK TIME » (durée de cuisson) et « 00:00 » disparaîtront. L'appareil passera au réglage WARM (chaud) et la minuterie commencera le compte à rebours. Après 4 heures à WARM (chaud), l'appareil s'éteindra automatiquement.
11. Appuyer sur le bouton START/STOP (marche/arrêt) en tout temps pour terminer la cuisson et éteindre l'appareil. Le mot « OFF » (arrêt) clignotera à l'afficheur et la mijoteuse émettra trois signaux sonores.

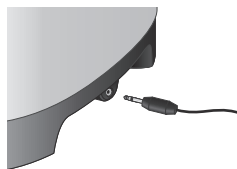
REMARQUE : Pendant le cycle, l'utilisateur peut régler l'intensité de température en tout temps en tournant le bouton. Le nouveau réglage sélectionné clignotera trois fois puis deviendra fixe et la température s'ajustera. Il n'est pas nécessaire d'appuyer sur le bouton START/STOP (marche/arrêt). Le réglage de durée peut être modifié en tout temps en appuyant sur le bouton TIMER (minuterie) afin de réactiver la durée clignotant à l'afficheur et en tournant le bouton pour régler la durée de cuisson.

PROGRAMME AVEC SONDE

Utiliser la sonde pour cuire des aliments selon une température interne donnée. Pour plusieurs aliments, comme les gros morceaux de viande, la température des aliments est la meilleure méthode pour obtenir une cuisson parfaite. Sélectionner la température interne désirée des aliments et la mijoteuse passera automatiquement à WARM (chaud) dès que la température est atteinte.

La cuisson avec sonde ne peut être utilisée qu'avec 1 PROGRAMME.

1. Insérer la fiche de la sonde dans la prise pour sonde située sur le côté droit de la mijoteuse multifonctions. Insérer la sonde de température dans la partie la plus épaisse de l'aliment. Couvrir le récipient avec le couvercle en prenant soin de faire passer le fil de la sonde dans l'ouverture du couvercle.
2. Tourner le sélecteur jusqu'à PROGRAM (programme). L'afficheur ACL indiquera le réglage « 1 PROGRAM » (1 programme).
3. Dès que le mot « 1 PROGRAM » est fixe, les réglages de température « LOW MED HIGH » (basse, moyenne, élevée) clignoteront à l'afficheur. Tourner le bouton vers la gauche ou la droite pour sélectionner le réglage de température désiré, soit LOW, MEDIUM ou HIGH (basse, moyenne ou élevée). Relâcher le bouton dès que le réglage de température est sélectionné et le réglage sélectionné clignotera trois fois avant de devenir fixe.



REMARQUE : Pour retourner au réglage précédent en tout temps, appuyer une fois sur le bouton BACK.

4. Dès que le réglage de température est fixe, l'icône de la sonde clignotera et la température de « 155F » par défaut s'affichera. Régler la température en tournant le bouton vers la droite pour augmenter ou vers la gauche pour diminuer la température désirée. L'échelle de température est de 100 à 200 °F. Relâcher le bouton dès que la température de la sonde est réglée et l'afficheur et le bouton START/STOP (marche/arrêt) clignoteront et émettront un signal sonore.

REMARQUE : Les mots « COOK TIME » (durée de cuisson) et « 00:00 » apparaîtront à l'afficheur si la sonde n'est pas branchée.

5. Appuyer sur le bouton START/STOP (marche/arrêt) pour commencer la cuisson. Un long signal sonore se fera entendre et le bouton START/STOP (marche/arrêt) reste allumé. Dès que le cycle commence, le réglage de température, la lecture de température actuelle de la sonde et une flèche vers le haut s'afficheront.
6. Lorsque la température désirée est atteinte, un long signal sonore se fait entendre. Les réglages de la sonde disparaîtront. L'appareil passera à WARM (chaud) et la minuterie commencera le comptage progressif. Après 4 heures à WARM (chaud), l'appareil s'éteint automatiquement.
7. Appuyer sur le bouton START/STOP (marche/arrêt) en tout temps pour arrêter la cuisson et éteindre l'appareil. Le mot « OFF » (arrêt) clignotera à l'afficheur et la mijoteuse émettra 3 signaux sonores.



REMARQUE : Durant le cycle, la température peut être réglée en tout temps en tournant le bouton. Le nouveau réglage de température sélectionné de la sonde clignotera 3 fois avant de devenir fixe. Il n'est pas nécessaire d'appuyer sur le bouton START/STOP (marche/arrêt.)

Conseils

CUISSON LENTE

- Sélectionner les modes MANUAL (manuel), MEAL TIMER (minuterie de cuisson) ou PROGRAM (programme). Consulter les pages 37 à 43 pour lire les descriptions.
- Le réglage de température HIGH (élevée) est le meilleur pour les aliments demandant une chaleur élevée et sans surcuisson comme les pommes de terre, les haricots, casseroles, chilis, soupes et lorsque « BAKING » (cuisson) est l'un des modes de cuisson lente. Ce mode est un bon choix lorsque le temps manque pour une cuisson lente et longue.
- Le réglage de température MEDIUM (moyenne) est un bon choix pour le poulet, les coupes de porc maigres et les aliments tolérant mal la surcuisson ou l'assèchement.
- Le réglage de température LOW (basse) est le meilleur pour les coupes volumineuses de viande moins tendres nécessitant une cuisson lente et longue ou les occasions où la durée de cuisson d'une recette est longue, comme pendant la nuit ou une journée de travail.
- Le réglage de température WARM (chaud) n'est pas conçu pour cuire les aliments. Il ne doit être utilisé que pour garder les aliments au chaud.
- Le récipient doit être rempli jusqu'à la moitié afin d'obtenir des résultats optimaux. L'état de cuisson dans un récipient rempli sous la moitié devra être vérifié 1 à 2 heures avant la fin de la cuisson prévue par la recette.
- Décongeler toute viande ou volaille avant de la faire cuire lentement.
- Ne pas utiliser la cuisson lente sans avoir mis un peu de liquide dans le récipient. Il est recommandé d'ajouter au moins 1 po (2,5 cm) de liquide dans le récipient.
- Pour la cuisson de la viande, une viande contenant plus de gras exigera une moins grande quantité de liquide. Pour diminuer la quantité de gras d'une recette, découper le plus de gras visible et retirer la peau de la volaille.
- Très peu de liquide s'évapore d'une recette à cuisson lente. Pour faire des soupes ou des sauces, réduire la quantité de liquide d'une recette d'une demie à une tasse pleine (118 à 237 ml). Si le mélange est trop épais, ajouter du liquide plus tard.
- Les légumes racines comme les pommes de terre et les carottes doivent être coupés en morceaux de moins de 2 po (5,1 cm) pour assurer une cuisson complète.
- Certains aliments ne sont pas adaptés à la cuisson lente. Les pâtes, fruits de mer, le lait, la crème et la crème sure doivent être ajoutés seulement 2 heures avant le service.
- Le remuage des aliments n'est pas nécessaire pendant une cuisson lente. L'ouverture du couvercle provoque une perte de chaleur et prolonge la durée de cuisson. Il est recommandé toutefois de remuer occasionnellement les aliments lorsqu'ils sont cuits à température HIGH (élevée).
- Visiter le site www.foodsafety.gov pour obtenir des renseignements concernant la température interne de cuisson des aliments pour en préserver l'innocuité.

RICE (RIZ)

Toujours utiliser les quantités recommandées au tableau de cuisson du riz à la page 46.

1. Mettre le riz et l'eau dans le récipient selon les quantités recommandées au tableau de cuisson du riz. Couvrir avec le couvercle.
2. Tourner le sélecteur jusqu'à RICE (riz). L'afficheur ACL indiquera « RICE » (riz) et les chiffres « 1 » et « 2 » clignoteront.



3. Tourner le sélecteur vers la gauche pour sélectionner le réglage « 1 » pour le riz blanc ou réglage « 2 » pour le riz brun. Relâcher le bouton dès que le réglage est sélectionné. Le réglage clignotera trois fois avant de devenir fixe.
4. L'afficheur ACL indiquera « 00:00 » et le bouton START/STOP (marche/arrêt) clignotera.
5. Appuyer sur le bouton START/STOP (marche/arrêt) pour commencer le cycle de cuisson. Un signal sonore se fera entendre et le bouton START/STOP (marche/arrêt) restera allumé.
6. La minuterie commencera le comptage progressif en minutes.
7. Un long signal sonore se fera entendre dès la fin du cycle. L'appareil passera au réglage de température WARM (chaud) et la minuterie commencera le compte à rebours.
8. Appuyer sur le bouton START/STOP (marche/arrêt) en tout temps pendant le cycle de cuisson pour éteindre l'appareil.



REMARQUE : Si le bouton START/STOP (marche/arrêt) n'est pas enfoncé pendant le cycle de cuisson ou sous « WARM » (chaud), l'appareil restera en marche pendant un maximum de 6 heures puis s'éteindra automatiquement.

TABLEAU DE CUISSON DU RIZ

RÉGLAGE 1 : RIZ BLANC – Durée de cuisson de 30 à 35 minutes

Quantité de riz	Quantité d'eau	Rendement
2 tasses (473 ml)	2 3/4 tasses (651 ml)	6 tasses (1,4 L)
3 tasses (710 ml)	4 tasses (946 ml)	9 tasses (2,1 L)
4 tasses (946 ml)	5 tasses (1,2 L)	12 tasses (2,8 L)
5 tasses (1,2 L)	7 tasses (1,7 L)	18 tasses (4,3 L)

RÉGLAGE 2 : RIZ BRUN – Durée de cuisson de 50 à 55 minutes

Quantité de riz	Quantité d'eau	Rendement
2 tasses (473 ml)	3 1/2 tasses (828 ml)	6 1/2 tasses (1,5 L)
3 tasses (710 ml)	4 1/2 tasses (1,1 L)	9 tasses (2,1 L)
4 tasses (946 ml)	6 tasses (1,4 L)	13 tasses (3,1 L)
5 tasses (1,2 L)	7 1/2 tasses (1,8 L)	16 à 17 tasses (3,8–4,0 L)

*Pour du riz étuvé (précuit), ajouter 1/4 tasse (59 ml) d'eau de plus par 1 tasse (237 ml) de riz.

*Le riz brun cuit doit reposer de 5 à 10 minutes à WARM avant de servir.

*Tableaux basés sur une tasse à mesurer de 8 onces (237 ml).

SAUTE/SEAR (sauter/saisir)

Utiliser ce mode pour sauter des légumes ou griller la viande avant la cuisson lente, pour saisir les biftecks, le poulet ou le poisson après la cuisson sous vide ou pour des recettes dont le mode de cuisson n'est que pour sauter ou saisir. Ce mode de cuisson a une durée maximum de 45 minutes y compris le préchauffage. Le couvercle peut être utilisé pendant le préchauffage ou éviter les éclaboussures.

1. Tourner le sélecteur jusqu'à SAUTE/SEAR (sauter/saisir). L'afficheur ACL indiquera « LOW MED HIGH » (basse, moyenne, élevée.)
2. Tourner le bouton vers la droite ou la gauche pour sélectionner le réglage de température. Relâcher le bouton dès que le réglage est sélectionné. Le réglage de température sélectionné et le bouton START/STOP (marche/arrêt) clignoteront.
3. Appuyer sur le bouton START/STOP (marche/arrêt) pour commencer la cuisson. Un long signal sonore se fera entendre et le bouton START/STOP (marche/arrêt) restera allumé.
4. L'afficheur indiquera le réglage de température sélectionné et une flèche vers le haut indiquera l'augmentation de la température.
5. Un long signal sonore se fera entendre dès que la température sélectionnée est atteinte.
6. Mettre les aliments dans le récipient et faire sauter ou saisir jusqu'à la cuisson désirée.
7. Appuyer sur le bouton START/STOP (marche/arrêt) à la fin de la cuisson pour éteindre l'appareil ou sélectionner un autre mode pour poursuivre la cuisson.
8. L'appareil restera en marche au mode SAUTE/SEAR (sauter/saisir) pendant un maximum de 45 minutes.

REMARQUE : Le réglage de température peut être modifié en tout temps pendant la cuisson en tournant le bouton. Le nouveau réglage de température sélectionné clignotera trois fois puis deviendra fixe.

Conseils

SAUTE/SEAR (sauter/saisir)

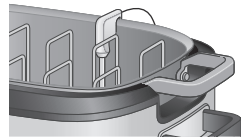
- S'assurer que le récipient a été préchauffé complètement avant d'y mettre les aliments. Ce préchauffage peut prendre jusqu'à 10 minutes.
- S'assurer de ne pas remplir excessivement le récipient pendant le brunissage de la viande. Cuire en plusieurs lots si nécessaire.
- Prendre soin d'égoutter tout excès de graisse produit par le brunissement des viandes avant de poursuivre la cuisson lente.



SOUS VIDE

Le mode SOUS VIDE est méthode de cuisson pour des aliments ensachés sous vide selon une température précise dans un bain d'eau et un réglage de température entre 100 et 200 °F (38 et 93 °C). La sonde de température est utilisée pour contrôler la température de l'eau. Cette méthode assure des résultats uniformes et prévisibles tout en évitant la surcuisson. Avec ce mode, les aliments sont assaisonnés puis emballés dans des sacs ou des pots à l'épreuve de la chaleur. Le récipient est rempli d'eau chaude et les aliments scellés sont mis dans le bain d'eau lorsque la température désirée est atteinte. Le support amovible peut être utilisé pour cuire plusieurs sacs à la fois. Le support amovible peut être utilisé pour cuire plusieurs sacs à la fois. Pour des résultats optimaux, les protéines doivent être saisies avant et/ou après la cuisson sous vide afin d'obtenir une belle couleur brune. Les aliments solides doivent être mis sous vide dans des sacs à l'épreuve de la chaleur et approuvés pour une cuisson sécuritaire sous vide. Les oeufs ou les crèmes anglaises peuvent être cuits dans des pots en verre fermés hermétiquement.

1. Mettre l'eau dans le récipient en laissant un espace de 1 po (2,5 cm) entre le dessus de l'eau et le bord du récipient. Mettre le récipient dans la base de la mijoteuse. Fixer la sonde sur le côté du récipient en l'alignant avec l'icône de sonde et couvrir avec le couvercle. Prendre soin d'aligner la sonde avec l'ouverture du couvercle.
2. Brancher l'autre extrémité de la sonde dans la prise pour sonde située à la droite de la mijoteuse multifonctions. La sonde est dans l'eau afin de contrôler la température pendant la cuisson au mode sous vide.
3. Tourner le sélecteur jusqu'à SOUS VIDE. (L'afficheur ACL indiquera « Prb. » si la sonde n'est pas branchée.)
4. L'afficheur ACL indiquera l'icône de sonde clignotante et la température de sonde par défaut de « 155F ».



5. Tourner le bouton vers la droite pour augmenter la température ou vers la gauche pour diminuer la température. Le réglage s'effectue par incréments de 1 °F et l'échelle de température se situe entre 100 et 200 °F. Relâcher le bouton dès que la température de la sonde est sélectionnée. L'afficheur et le bouton START/STOP (marche/arrêt) clignoteront.
6. Appuyer sur le bouton START/STOP (marche/arrêt) pour commencer la cuisson. Un long signal sonore se fera entendre et le bouton START/STOP (marche/arrêt) restera allumé. Dès que le cycle commence, le réglage de température sélectionné s'affiche et la lecture actuelle de la température de la sonde est indiquée par une flèche vers le haut.
7. Un long signal sonore se fera entendre dès que la température sélectionnée est atteinte. Mettre les aliments scellés dans le bain d'eau à ce moment et remettre le couvercle sur le récipient en alignant l'ouverture du couvercle avec la sonde. L'appareil indiquera la température de la sonde durant la durée de cuisson restante.
8. Régler la minuterie, si désiré. Appuyer sur TIMER (minuterie) pour commencer le compte progressif. L'afficheur ACL indiquera « 00:01 » et le compte se poursuivra. La minuterie ne peut être activée que lorsque la température de la sonde est atteinte. La minuterie peut être désactivée en tout temps en appuyant sur le bouton Timer.
9. Appuyer sur le bouton START/STOP (marche/arrêt) en tout temps pendant la cuisson pour éteindre l'appareil. Le bouton START/STOP (marche/arrêt) s'éteindra et l'afficheur ACL indiquera « OFF » (arrêt) après 3 secondes et produira trois courts signaux sonores. Le mot « OFF » (arrêt) sera fixe.



REMARQUES :

- L'appareil restera en marche pendant un maximum de 72 heures si le bouton START/STOP (marche/arrêt) n'est pas enfoncé pendant le cycle de cuisson puis s'éteindra automatiquement.
- La température de la sonde peut être modifiée en tout temps en tournant le bouton. La nouvelle température sélectionnée de la sonde clignotera trois fois avant de devenir fixe.

Conseils

SOUS VIDE

- La plupart des aliments cuits sous vide sont scellés dans des sacs à l'aide d'une scelleuse sous vide. Cet appareil n'est toutefois pas requis pour la cuisson sous vide. Des pots de verre scellés peuvent aussi être utilisés pour la cuisson sous vide et sont spécialement bien adaptés pour les recettes à base de grande quantité de liquide ou de gras, comme les mélanges d'œufs et crèmes anglaises, les haricots, les grains, yogourts, cornichons, poudings et autres desserts.
- Utiliser une scelleuse sous vide avec des sacs à l'épreuve de la chaleur et adaptés à la cuisson sous vide. Suivre les instructions de mise sous vide du fabricant.
- Tous les aliments cuits pendant moins de 8 heures peuvent être scellés dans des sacs en plastique à l'épreuve de la chaleur et réutilisables sans utiliser de scelleuse sous vide et en utilisant la méthode par déplacement d'eau :
 - Mettre les aliments dans le sac et éliminer le plus d'air possible.
 - Fermer le sac en laissant une ouverture de 1 po (2,5 cm) sur le dessus.
 - Submerger soigneusement le fond du sac dans l'eau de manière à couvrir les aliments. La pression d'eau évacuera l'air hors du sac.
 - Éviter que l'eau n'entre dans le sac.
 - Presser doucement tout l'air résiduel hors du sac et sceller.
- Tous les aliments cuits dans une petite quantité de liquide ne doivent pas être mis sous vide. Le liquide pourrait être aspiré dans la scelleuse sous vide et l'endommager.
- Ne pas sceller excessivement les sacs de poisson à cuire. Un taux d'aspiration de 75 % est souhaitable ou utiliser la méthode par déplacement d'eau.
- Les aliments peuvent être scellés à l'avance et stockés au réfrigérateur pendant la nuit ou au congélateur pour accélérer le refroidissement avant de procéder à la cuisson.
- Pour minimiser la durée de chauffage de l'eau à une bonne température, remplir le récipient avec de l'eau tiède du robinet. Pour la cuisson à des températures plus élevées, remplir le récipient avec de l'eau chaude du robinet. La sonde effectuera une lecture de température constante de l'eau et l'indiquera à l'afficheur. Si l'eau est plus chaude que la température sélectionnée, ajouter des glaçons pour abaisser la température de l'eau.
- Les aliments congelés peuvent être cuits sous vide sans les décongeler, mais l'ajout d'aliments congelés dans le bain d'eau abaissera la température de l'eau. En général, il faut une heure de plus à la durée totale de cuisson pour permettre la décongélation entière des aliments et d'atteindre la température désirée.
- Innocuité des aliments : La cuisson sous vide est une méthode aussi sécuritaire que la cuisson traditionnelle même si les aliments sont cuits à une température inférieure à celles des méthodes traditionnelles.
 - Les durées et températures indiquées au tableau ci-dessous et aux pages 51 et 52 sont nécessaires à la pasteurisation.
 - L'innocuité des aliments est déterminée par une combinaison des pièces à cuire, la durée de cuisson et de température.
 - Pour réduire tous les risques associés aux maladies d'origine alimentaire, commencer toujours par choisir des aliments le plus frais possible et d'utiliser des méthodes de manipulations saines.
 - Visiter le site www.foodsafety.gov ou fsis.usda.gov pour obtenir des renseignements concernant la température interne de cuisson des aliments et de pasteurisation pour préserver l'innocuité.

TABLEAU DE CUISSON SOUS VIDE

REMARQUES :

- La durée de cuisson sera plus longue pour les coupes épaisses de viande, poulet et de poulet.
- Visiter le site www.foodsafety.gov ou fsis.usda.gov pour obtenir des renseignements concernant la température interne de cuisson des aliments pour en préserver l'innocuité.

ALIMENT ET DEGRÉ DE CUISSON	TEMPÉRATURE	DURÉE
Bifteck (1 à 1 1/4 po [2,5 à 3 cm] épais)		
Trèssaignant à saignant	125°F (52°C)	1 à 3 heures
Mi-saignant	130°–135°F (54°–57°C)	1 à 4 heures
À point	140°F (60°C)	1 à 4 heures
À point-bien cuit	150°F (66°C)	1 à 4 heures
Bien cuit	155°F (68°C)	1 à 4 heures
Porc		
Épaule/soc, bien cuit, 3 à 4 lb (1,4 à 1,8 kg)	185°F (85°C)	8 à 10 heures
Filet, à point, 1,5 à 2 lb (0,7 à 0,9 kg)	145°F (63°C)	2 à 4 heures
Longe, à point, 2 à 3 lb (0,9 à 1,4 kg)	150°F (66°C)	3 à 4 heures
Côtelettes désossées, à point, 3/4 po (1,9 cm) épais.	140°F (60°C)	1 à 2 heures
Côtelettes avec os, à point, 1 po (2,5 cm) épais.	145°F (63°C)	1 à 2 heures
Côtes avec os, complètes, 3 à 4 lb (1,4 à 1,8 kg)	165°F (74°C)	12 à 14 heures
Poulet, désossé, poitrine (5 à 6 oz [142 à 170 g])		
Très tender et juteuse	140°F (60°C)	1 à 3 heures
Tendre et juteuse	150°F (66°C)	1 à 3 heures
Ferme et juteuse	160°F (71°C)	1 à 3 heures
Poulet, désossé, cuisse (5 à 6 oz [142 à 170 g])		
Tendre et juteux	167°–170°F (75°–77°C)	1 1/2 à 3 heures

UTILISATION DES MODES DE CUISSON

ALIMENT ET DEGRÉ DE CUISSON	TEMPÉRATURE	DURÉE
Poisson (5 à 6 oz [142 à 170 g])		
Très légèrement cuit, mi-saignant et tendre	110°–120°F (43°–49°C)	30 à 40 minutes
À point, tendre et moelleux	122°–130°F (50°–54°C)	30 à 40 minutes
Bien cuit, ferme et moelleux	135°–140°F (57°–60°C)	30 à 40 minutes
Légumes		
Turions d'asperge	185°F (85°C)	10 minutes
Betteraves, en morceaux de 2 po (5,1 cm)	185°F (85°C)	2 1/2 à 3 heures
Brocoli (petites fleurettes)	185°F (85°C)	30 à 40 minutes
Carottes, en morceaux de 2 po (5,1 cm)	185°F (85°C)	30 à 45 minutes
Choufleur (petites fleurettes)	185°F (85°C)	1 à 1 1/2 heure
Tomates cerises ou en grappe, moitiés	185°F (85°C)	20 à 30 minutes
Épi de maïs	185°F (85°C)	30 à 45 minutes
Champignons, moitiés	195°F (91°C)	1 heure
Oignons, en morceaux de 2 po (5,1 cm)	185°F (85°C)	1 à 1 1/2 heure
Pommes de terre, en morceaux de 2 po (5,1 cm)	185°F (85°C)	2 à 2 1/2 heures
Épinards	185°F (85°C)	5 minutes
Courge, en morceaux de 2 po (5,1 cm)	185°F (85°C)	1 à 1 1/2 heure
Tomates, moitiés	185°F (85°C)	20 à 30 minutes
Fruits		
Pommes, moitiés, sans coeur	185°F (85°C)	1 1/2 heure
Poires, moitiés, sans coeur	185°F (85°C)	1 1/2 heure

Recommandations d'entretien

⚠ AVERTISSEMENT Risque de choc électrique :

Ne pas utiliser de tampons métalliques pour nettoyer l'appareil. Des morceaux peuvent se détacher du tampon et toucher les pièces électriques et représenter un risque d'électrocution.

Votre mijoteuse multifonctions doit être nettoyée périodiquement afin de conserver sa performance optimale et prolonger sa durée de vie. Un nettoyage fréquent diminue également le risque d'incendie.

AVANT LE NETTOYAGE

1. Débrancher et laisser refroidir la mijoteuse multifonctions.

NETTOYAGE

Afficheur	Essuyer avec une éponge légèrement humide. Protéger l'afficheur pendant le nettoyage des autres surfaces.
Extérieur en acier inoxydable	Utiliser un nettoyant non abrasif pour l'acier inoxydable, comme Signature Polish, et l'appliquer sur un linge doux et non pelucheux. Pour raviver le lustre naturel, essuyer légèrement la surface avec un linge en microfibre légèrement imbibé d'eau puis polir à sec. Toujours suivre les grains de l'acier inoxydable. Nettoyer avec un nettoyant doux et non abrasif pour l'acier inoxydable comme un poli de marque Signature. Appliquer sur un linge doux et ne laissant aucune peluche. Le poli Signature peut être commandé par le site internet de l'entreprise : www.signaturepolishonline.com .
Extérieur sans acier inoxydable	Essuyer l'extérieur de la mijoteuse multifonctions avec un linge humide ou vaporiser un nettoyant tout usage. Bien essuyer avec un linge non pelucheux. Ne pas utiliser de nettoyants abrasifs ou de tampons à récurer métalliques.
Intérieur de la mijoteuse multifonctions	Essuyer les parois intérieures et le fond de la mijoteuse multifonctions avec un linge imbibé d'eau savonneuse.

NETTOYAGE

Récipient en acier inoxydable

Laisser refroidir le récipient avant de le laver. Laver dans de l'eau savonneuse tiède avec une éponge, un linge ou un tampon en plastique après chaque utilisation ou laver au lave-vaisselle.

Laisser refroidir le récipient avant de le nettoyer. Laver à la main dans de l'eau savonneuse tiède et une éponge, linge à vaisselle ou un tampon en plastique après chaque utilisation ou laver au lave-vaisselle. Éviter d'utiliser un tampon de laine d'acier, des tampons à récurer métalliques ou les détergents puissants.

Le récipient est lavable au lave-vaisselle.

Les températures élevées et les détergents puissants peuvent décolorer le récipient.

La surchauffe et/ou des résidus de minéraux peuvent produire une couleur dorée brunâtre ou des teintes de bleu. Pour nettoyer, faire une pâte avec de l'eau et un nettoyant non abrasif pour acier inoxydable ou du bicarbonate de soude. NE PAS UTILISER DE NETTOYANT CONTENANT UN JAVELLISANT. Appliquer la pâte sur le récipient avec une éponge ou un linge pendant qu'il est tiède et frotter dans un seul sens. Laver à nouveau, rincer et sécher.

Bien que l'acier inoxydable soit un matériau durable, il n'est toutefois pas indestructible. Les piqûres se forment à cause du sel non dissout resté dans le fond du récipient. Ne pas laisser reposer les aliments acides ou assaisonnés dans le récipient pendant de longue période.

Sonde

Nettoyer la sonde avec de l'eau savonneuse tiède. Rincer et sécher complètement avec un linge propre.

Dépannage

Les lettres « Prb » clignotent.

- La sonde n'est pas branchée. S'assurer que la sonde est bien branchée.

Les lettres « Err 1 » clignotent.

- La sonde ne fonctionne plus. Communiquer avec le service à la clientèle.

Les lettres « Err 3 » clignotent.

- La sonde est branchée pendant les modes MANUAL (manuel), MEAL TIMER (minuterie de cuisson) ou SAUTE/SEAR (sauter/saisir). Débrancher et retirer la sonde.

Les lettres « Err 4 » ou « Err 5 » clignotent.

- La commande de température de cuisson ne fonctionne plus. Communiquer avec le service à la clientèle.

Les lettres « Err 6 » clignotent.

- Le récipient n'est pas inséré ou ne repose pas correctement. Insérer le récipient ou replacer le récipient dans l'appareil de cuisson.

Garantie résidentielle limitée Wolf Gourmet

POUR UN USAGE RÉSIDENTIEL

GARANTIE LIMITÉE DE CINQ ANS

La garantie de ce produit Wolf Gourmet s'applique uniquement aux électroménagers. Wolf Gourmet garantit que les électroménagers sont exempts de vices de matériaux ou de fabrication pendant une période de cinq (5) ans à compter de la date d'achat d'origine.

GARANTIE À VIE LIMITÉE

La garantie de ce produit Wolf Gourmet s'applique uniquement aux produits relatifs aux ustensiles de cuisson et de coutellerie. Wolf Gourmet garantit que l'ustensile de cuisson pour la coutellerie est exempt de vice de matériaux ou de fabrication pour la durée de vie du produit. Les imperfections mineures et les décolorations sont normales et ne sont pas considérées comme étant des vices.

CONDITIONS APPLICABLES À CHACUNE DES GARANTIES

Cette garantie résidentielle limitée Wolf Gourmet s'applique aux électroménagers, aux ustensiles de cuisson et à la coutellerie achetés et utilisés aux É.-U. Il s'agit de la seule garantie formelle pour ce produit et elle prévaut sur toute autre garantie.

Pendant la période de garantie, votre seul recours constitue la réparation ou le remplacement du produit ou de tout composant se révélant défectueux, à notre discrétion. Tout service fourni par Wolf Gourmet en vertu de cette garantie doit être réalisé par un centre de réparation certifié Wolf Gourmet, à moins d'une entente préalable approuvée par Wolf Gourmet. Par ailleurs, tout service sera offert pendant les heures d'ouverture normale.

Cette garantie ne couvre pas l'usure découlant d'un usage normal, un usage non conforme aux instructions imprimées ou des dommages subis par le produit en raison d'une négligence, d'un accident, d'une altération, d'un abus, d'une utilisation incorrecte, d'un service inadéquat ou d'une réparation inadéquate. La présente garantie est déclarée nulle si le produit est utilisé pour un usage autre résidentiel ou s'il est soumis à toute tension ou forme d'onde autre que celle spécifiée sur la plaque signalétique (p. ex., 120 V ~ 60 Hz). Cette garantie est octroyée uniquement à l'acheteur d'origine ou au destinataire initial d'un cadeau.

Wolf Gourmet rejette toutes les réclamations pour des dommages particuliers, accessoires et immatériels causés par une violation de la garantie formelle ou implicite. La responsabilité se limite au montant de l'achat. TOUTE GARANTIE IMPLICITE, Y COMPRIS TOUTE GARANTIE DE QUALITÉ MARCHANDE OU DE CONFORMITÉ À UN USAGE PARTICULIER, EST DÉCLINÉE, SAUF DANS LA MESURE OU LA LOI L'INTERDIT, DANS QUEL CAS, LA GARANTIE SE LIMITE À LA DURÉE DE LA GARANTIE ÉCRITE. Cette garantie vous confère des droits reconnus par la loi. Il est possible que vous ayez d'autres droits légaux variant selon l'endroit où vous vivez. Certains États, certaines provinces et certains territoires ne permettent pas les limitations sur les garanties implicites ou sur les dommages particuliers, accessoires ou immatériels, il est donc possible que les limitations précédentes ne s'appliquent pas à vous.

Pour faire une réclamation en vertu de la garantie et pour connaître le nom du personnel de service certifié Wolf Gourmet le plus près de chez vous, veuillez contacter Wolf Appliance, Inc., PO Box 44848, Madison, WI 53744; ou visitez la section contact & support de notre site Web à l'adresse wolfgourmet.com/warranty; ou envoyez-nous un courriel à l'adresse électronique customerservice@subzero.com; ou appelez au 800.222.7820. Pour obtenir un service plus rapide, veuillez repérer le modèle, le type et les numéros de série sur la plaque signalétique de votre produit.



Bienvenido

Gracias por haber adquirido este producto Wolf Gourmet. Esperamos formar parte de su cocina durante muchos años. Wolf es la tercera generación de una compañía familiar con un interés personal en la preparación de sus alimentos. Al ser una empresa familiar, prestamos mucha atención a los detalles y brindamos una dedicación excepcional a crear productos de extrema calidad. Wolf ha basado su éxito comercial y su reputación en ayudar a que los cocineros hogareños logren los mejores resultados posibles. A través del control preciso de Wolf Gourmet, el plato que imagina será el plato que servirá en su mesa.



Contenidos

- 59 Precauciones de seguridad
- 61 Piezas y características de la olla multifunción Wolf Gourmet
- 63 Inicio
- 65 Cómo usar los modos de cocción
- 80 Recomendaciones sobre los cuidados
- 81 Detección y solución de problemas
- 82 Garantía Wolf Gourmet

Atención al cliente

Como propietario de un producto Wolf Gourmet, usted puede confiar en nuestra asistencia. Nuestro centro de atención al cliente se encuentra disponible las 24 horas del día, los siete días a la semana, atendido por personal experto en nuestra sede central localizada en Madison, Wisconsin. Si surgiera la necesidad, simplemente llame al 800.222.7820 para hablar con uno de nuestros expertos. En México, tenga a bien comunicarse con el centro de atención al cliente al 01 800 400 4372 de lunes a viernes de 9:00 a.m. a 7:00 p.m. Estamos seguros de que esta guía responderá todas sus preguntas sobre características, funcionamiento y mantenimiento de su producto Wolf Gourmet. Si usted tiene consultas adicionales, tenga a bien comunicarse con nosotros por teléfono o visitarnos online en wolfgourmet.com.

Registre su producto

Le recomendamos enfáticamente que registre su electrodoméstico Wolf Gourmet. Es muy importante para nosotros que usted obtenga el máximo de sus productos. Al registrarse, usted:

- Pasará a formar parte del grupo culinario de Wolf Gourmet.
- Tendrá apoyo constante de Wolf Gourmet.
- Activará su garantía y registrará su compra.
- Estará al tanto de actualizaciones de servicio.
- Recibirá correos electrónicos ocasionales que lo ayudarán a mantener y disfrutar sus electrodomésticos.

Para registrarse, visite wolfgourmet.com/registration. En México, tenga a bien visitar wolfgourmet.com.mx o llame al 01 800 400 4372.

SALVAGUARDIAS IMPORTANTES

Cuando utilice artefactos eléctricos, siempre deben seguirse precauciones de seguridad básicas a fin de reducir el riesgo de incendio, descarga eléctrica, y/o lesiones a personas, incluyendo las siguientes:

- Lea todas las instrucciones.
- Este aparato no se destina para utilizarse por personas (incluyendo niños) cuyas capacidades físicas, sensoriales o mentales sean diferentes o estén reducidas, o carezcan de experiencia o conocimiento, a menos que dichas personas reciban una supervisión o capacitación para el funcionamiento del aparato por una persona responsable de su seguridad.
- Se requiere de una estrecha supervisión cuando el aparato se use cerca de niños. Los niños deben supervisarse para asegurar que ellos no empleen los aparatos como juguete.
- Verifique que el voltaje de su instalación corresponda con el del producto.
- No toque las superficies calientes. Utilice guantes de cocina.
- Para evitar el peligro de descargas eléctricas, no sumerja el cable, el enchufe o la base en agua u otro líquido.
- Desenchufe del tomacorriente cuando no esté en uso y antes de limpiar. Deje enfriar antes de colocar o quitar piezas.
- No opere ningún aparato con cables o enchufe dañados o después de que el aparato funcione mal o se caiga o dañe de cualquier manera. El reemplazo del cable de suministro y las reparaciones deben ser efectuadas por el fabricante, su agente de servicio, o personas igualmente calificadas para poder evitar un peligro. Llame al número de servicio al cliente proporcionado para información sobre examinación, reparación o ajuste.
- El uso de accesorios no recomendados por el fabricante del aparato puede provocar lesiones.
- No lo utilice al aire libre.
- No permita que el cable cuelgue sobre el borde de la mesa o mostrador, o que toque superficies calientes, como la estufa.
- No lo coloque sobre o cerca de un quemador caliente eléctrico o a gas, o dentro de un horno caliente.
- Debe tenerse mucho cuidado cuando se traslade un artefacto que contenga aceite caliente u otros líquidos calientes.
- Para desconectar la olla multifunción, gire la perilla a OFF (apagado); luego quite el enchufe del tomacorriente.
- Concebido sólo para uso en mostrador.
- **¡ADVERTENCIA!** El derrame de alimentos puede provocar quemaduras graves. Mantenga el artefacto y el cable alejados de los niños. Nunca deje colgar el cable sobre el borde del mostrador, nunca utilice un tomacorriente ubicado por debajo del mostrador y nunca utilice el artefacto con un cable de extensión.
- Este artefacto no está diseñado para freír alimentos.
- Sólo utilice el artefacto con el objetivo para el que fue diseñado.

GUARDE ESTAS INSTRUCCIONES

Otra Información de Seguridad para el Cliente

Este aparato ha sido diseñado solamente para uso doméstico.

⚠ ADVERTENCIA Riesgo de Descarga Eléctrica: Este producto es provisto con un enchufe con conexión a tierra (3 clavijas) para reducir el riesgo de una descarga eléctrica. El enchufe calza únicamente en una dirección dentro de un tomacorriente con conexión a tierra. No elimine el propósito de seguridad del enchufe modificando el enchufe de ninguna manera o usando un adaptador. Si el enchufe no entra en la toma, haga que un electricista reemplace la toma.

Se utiliza un cable eléctrico corto para reducir los riesgos de enredarse o tropezar con un cable más largo o de que sea jalado por niños.

PIEZAS Y CARACTERÍSTICAS DE LA OLLA MULTIFUNCIÓN WOLF GOURMET

PIEZAS Y CARACTERÍSTICAS

1 Tapa

1a Abertura de la sonda

2 Rejilla de sous vide

3 Recipiente de acero inoxidable

4 Pantalla del panel de control

5 Botón Back (atrás)

6 Botón Start/Stop (iniciar/detener)

7 Bisel selector de modo

8 Placa de clasificación

9 Perilla de tiempo/temperatura

10 Botón Timer (temporizador)

11 Base

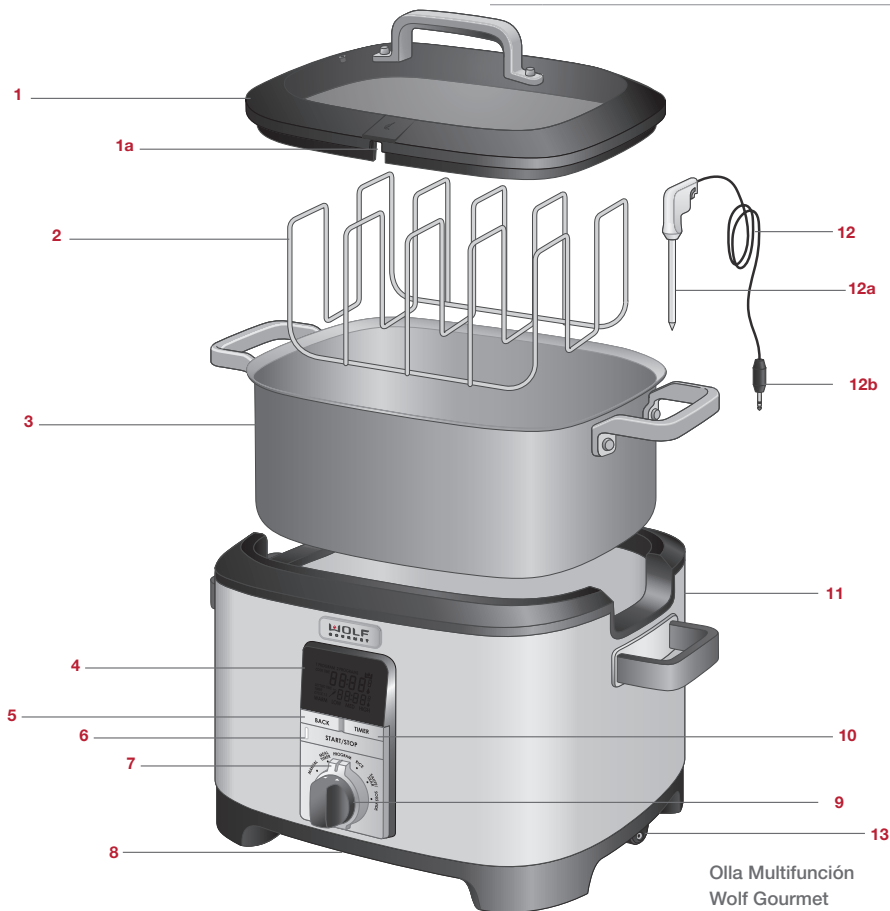
12 Sonda

12a Sonda de temperatura - Introdúzcala dentro de los alimentos o agua

12b Extremo - Introdúzcalo en el enchufe de la sonda

13 Enchufe de la sonda

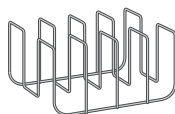
⚠ PRECAUCIÓN: SUPERFICIE CALIENTE. Las superficies externas y las manijas se calientan. Utilice guantes de cocina o permita que la unidad se enfríe por completo antes de trasladar o quitar piezas.



Olla Multifunción
Wolf Gourmet

Piezas y características

1. Tapa: La tapa debe usarse en los modos MANUAL, MEAL TIMER (temporizador de comidas), PROGRAM (programa), RICE (arroz) y SOUS VIDE. La tapa puede usarse en el modo SAUTE/SEAR (saltar/sellar) durante el precalentamiento, o para evitar las salpicaduras. La tapa es apta para lavavajillas y apta para horno para temperaturas de hasta 450°F (232°C).
 - a. Abertura de la sonda: La abertura de la sonda es donde la sonda debe colocarse, utilizándola en el modo Sous Vide y en algunas aplicaciones de cocción lenta.
2. Rejilla de sous vide: La rejilla removible de sous vide se utiliza en el modo SOUS VIDE, si así se lo desea, para separar bolsas individuales de alimentos sellados y garantizar un calentamiento del agua adecuado.
3. Recipiente de acero inoxidable: El recipiente de acero inoxidable debe estar en su lugar para que funcione la olla. El recipiente también puede usarse en un horno o en una estufa a gas, eléctrica o de inducción. Es apto para hornos a temperaturas de hasta 450°F (232°C) y es apto para el lavavajillas.
4. Pantalla del panel de control: La pantalla muestra las configuraciones de temperatura y tiempo, las configuraciones de temperatura de la sonda, mensajes de error, íconos para sonda y el logo de Wolf Gourmet cuando se activa el modo suspensión.
5. Botón Back (atrás): Presione el botón BACK (atrás) para volver atrás un paso y deshacer la última configuración ingresada.
6. Botón Start/Stop (iniciar/detener): Presione el botón de START/STOP (iniciar/detener) para iniciar y para apagar el modo seleccionado. La luz roja se iluminará y sonará una campanilla cuando el ciclo se inicie. START/STOP (iniciar/detener) también se utiliza para activar o apagar el temporizador.
7. Bisel selector de modo: Gire el bisel selector hasta el modo de cocción deseado: MANUAL, MEAL TIMER (temporizador de comidas), PROGRAM (programa), RICE (arroz), SAUTE/SEAR (saltar/sellar), o SOUS VIDE.
8. Placa de clasificación: El número de modelo y la información de clasificación pueden encontrarse en la parte inferior de la base de la olla multifunción.
9. Perilla de tiempo/temperatura: Utilice esta perilla para configurar el tiempo y la temperatura en diferentes modos de cocción.
10. Botón Timer (temporizador): El botón TIMER (temporizador) puede usarse en el modo PROGRAM (programa) o en el modo SOUS VIDE.
11. Base: El recipiente de acero inoxidable debe colocarse en la base para que la olla multifunción pueda funcionar.
12. Sonda:
 - a. Sonda de temperatura: El extremo largo, fino y puntiagudo de la sonda es la sonda de temperatura que se introduce en el agua en el modo SOUS VIDE, o para medir la temperatura interna y garantizar alimentos perfectamente cocidos en el modo PROGRAM (programa).
 - b. Extremo: El extremo de la sonda debe introducirse en el enchufe de la sonda ubicado en el lado derecho de la olla multifunción.
13. Enchufe de la sonda: El enchufe de la sonda se encuentra en el lado inferior derecho de la olla multifunción y es donde el extremo de la sonda debe introducirse.



INICIO

ELEGIR UN MODO DE COCCIÓN

Modos de la olla de cocción lenta:

1. El modo MANUAL funciona como una olla de cocción lenta normal no programable con cuatro configuraciones de calor: WARM (calentar), LOW (baja), MEDIUM (media) o HIGH (alta). El temporizador hace una cuenta ascendente y la olla multifunción permanecerá encendida hasta que se presione el botón START/STOP (iniciar/detener), o se apagará en forma automática después de 24 horas.

NOTA: WARM (calentar) no debe utilizarse para cocinar. Puede utilizarse cuando la cocción haya terminado para mantener calientes los alimentos.

2. El modo MEAL TIMER (temporizador de comidas) permite configurar la cantidad de horas de cocción en base a cuándo desea usted servir la comida, sin importar las instrucciones de la receta. No se selecciona nivel de calor. MEAL TIMER ajusta la temperatura en base a la hora de servicio. Esta característica se ajusta bien a recetas que se cocinarán por un período prolongado, tales como carnes grandes, combinaciones de carne y vegetales, o sopas y estofados. MEAL TIMER cambia automáticamente a WARM (calentar) al final del ciclo de cocción.
3. PROGRAM MODE (modo programa) tiene tres opciones que permiten una experiencia de cocción a medida. Las tres opciones cambian automáticamente a WARM (calentar) al final del ciclo de cocción.
 - a. 1 PROGRAM (1 programa): Seleccione una configuración de calor y tiempo para toda la sesión de cocción.
 - b. 1 PROGRAM WITH PROBE (1 programa con sonda): Seleccione una configuración de calor y use la sonda para cocinar alimentos hasta la temperatura interna deseada. Esta configuración es mejor cuando se cocinan alimentos que pueden tener un riesgo de sobrecocción, como los cortes de carne magros, o cuando la temperatura del alimento es la prueba deseada de nivel de cocción. La olla cambia en forma automática a WARM (calentar) cuando se alcanza la temperatura deseada.
 - c. 2 PROGRAMS (2 programas): Seleccione dos configuraciones de calor y duraciones de tiempo diferentes en una sesión de cocción. Por ejemplo, programe para cocinar en HIGH (alta) durante 4 horas, luego en LOW (baja) por 3 horas. Ideal para acortar el tiempo de cocción de elementos como estofados para calentar rápido en HIGH (alta) y luego permitir que se ablande en LOW (baja).

Otros modos de cocción:

4. RICE (arroz) tiene dos configuraciones: 1 y 2. La configuración 1 se usa para arroz blanco. La configuración 2 se usa para arroz integral. Ver la tabla de cocción de arroz de la página 73 bajo "Cómo usar los modos de cocción".
5. El modo SAUTE/SEAR (saltar/sellar) tiene tres configuraciones de calor: LOW (baja), MED (media) y HIGH (alta). Utilice este modo para saltar alimentos antes de la cocción lenta, para sellar después de sous vide, o para recetas que requieren el saltado o sellado como el único modo de cocción. Tiene un tiempo máximo de cocción de 45 minutos, incluyendo el precalentamiento.
6. SOUS VIDE es un método de cocción en el que los alimentos sellados se cocinan en un baño de agua a temperatura precisamente controlada, en una configuración de entre 100°F (38°C) y 200°F (93°C). La sonda de temperatura se usa para controlar la temperatura del agua. Este método asegura resultados parejos y predecibles y evita la sobrecocción. En este modo, los alimentos se condimentan y luego se sellan en bolsas o frascos resistentes al calor. El recipiente se llena con agua tibia y los alimentos sellados se agregan al baño de agua cuando se alcanza la temperatura deseada.

Descripción	Mejor para	El usuario elige la configuración de calor	El usuario elige el tiempo	Cambia a WARM (calentar) al finalizar el ciclo
Manual Seleccione WARM (calentar), LOW (baja), MEDIUM (media) o HIGH (alta).	Recetas de olla de cocción lenta tradicionales, y para alimentos que usted planea controlar o que se benefician de un tiempo de cocción prolongado. Se cocina hasta que se presiona Start/Stop (iniciar/detener), o por hasta 24 horas. La configuración Warm (calentar) puede usarse para mantener calientes los alimentos.	X		
Meal Timer (temporizador de comidas) Seleccione la cantidad de horas hasta el servicio	Elimina tener que estar pensando qué configuración de calor utilizar. Elija el tiempo de cocción y la olla ajusta el calor automáticamente para evitar la sobrecocción. Ideal para cortes grandes de carne de res y de ave, y combinaciones de carne y vegetales.		X	X
1 Program (1 programa) Configura 1 ciclo de calor y de tiempo	Seguir una receta con un nivel de calor y tiempo específicos. Ideal para trozos más pequeños de carne de res, ave o pescado, acompañamientos, estofados y postres.	X	X	X
1 Program with Probe (1 programa con sonda) Seleccione la temperatura deseada de los alimentos	Alimentos que deben cocinarse a una temperatura precisa, como el pollo, ciertos cortes de cerdo y res.	X		X
2 Programs (2 programas) Configura 2 ciclos de calor y de tiempo	Hacer recetas a medida de acuerdo a sus horarios y preferencias. Por ejemplo, cuando usted desea acelerar el tiempo de cocción y todavía tiene el beneficio de un calor bajo y lento para ablandar, configure Program 1 (programa 1) en HIGH (alta) por 2 horas y Program 2 (programa 2) en LOW (baja) por 6 horas.	X	X	X

Cómo usar los modos de cocción

MANUAL

El modo MANUAL funciona como una olla de cocción lenta normal no programable con cuatro configuraciones de calor: WARM (calentar), LOW (baja), MEDIUM (media) y HIGH (alta). El temporizador hace una cuenta ascendente y la olla multifunción permanecerá encendida hasta que se presione el botón START/STOP (iniciar/detener), o se apagará en forma automática después de 24 horas.

NOTA: WARM (calentar) no debe utilizarse para cocinar. Puede utilizarse cuando la cocción haya terminado para mantener calientes los alimentos.

1. Agregue los alimentos al recipiente y cubra con la tapa.
2. Gire el bisel selector a MANUAL. La pantalla de LCD muestra las configuraciones de calor: "WARM LOW MED HIGH" (calentar, baja, media, alta).
3. Gire la perilla hacia la izquierda o derecha para seleccionar una configuración de calor. Libere la perilla cuando haya seleccionado la configuración de calor. La configuración y el botón START/STOP (iniciar/detener) comenzarán a destellar.
4. Presione el botón START/STOP (iniciar/detener) para comenzar la cocción. Sonará una campanilla larga y el botón START/STOP (iniciar/detener) permanecerá iluminado. La configuración de calor seleccionada queda fija y el temporizador empieza una cuenta ascendente.

NOTA: Durante el ciclo, el usuario puede ajustar la configuración de calor en cualquier momento girando la perilla. La nueva configuración seleccionada destellará tres veces antes de quedar fija y que la temperatura se ajuste. No hace falta presionar el botón START/STOP (iniciar/detener).

5. Presione el botón START/STOP (iniciar/detener) en cualquier momento para finalizar la cocción y para apagar la unidad. Aparecerá "OFF" (apagado) en la pantalla y la olla hará sonar una campanilla tres veces.



MEAL TIMER (temporizador de comidas)

El modo MEAL TIMER (temporizador de comidas) permite seleccionar la cantidad de horas de cocción en base a cuándo desea usted servir la comida, sin importar las instrucciones de la receta. No se selecciona nivel de calor. MEAL TIMER ajusta la temperatura en base a la hora de servicio. Esta característica se ajusta bien a recetas que se cocinarán por un período prolongado, tales como carnes grandes, combinaciones de carne y vegetales, o sopas y estofados. MEAL TIMER cambia automáticamente a WARM (calentar) al final del ciclo de cocción.

1. Agregue los alimentos al recipiente y cubra con la tapa.
2. Gire el bisel selector a MEAL TIMER (temporizador de comidas).
3. La pantalla de LCD muestra el tiempo de cocción mínimo predeterminado de 4 horas con un tiempo máximo de cocción de 12 horas.
4. Ajuste el tiempo de cocción girando la perilla hacia la derecha para aumentar el tiempo de cocción o hacia la izquierda para reducirlo. El tiempo se ajusta en unidades de 30 minutos con una duración de cocción mínima de 4 horas y una duración máxima de 12 horas.
5. Libere la perilla una vez que haya configurado un tiempo de cocción; luego destellarán el tiempo de cocción y el botón START/STOP (iniciar/detener).
6. Presione el botón START/STOP (iniciar/detener) para comenzar la cocción. Sonará una campanilla larga y el botón START/STOP (iniciar/detener) permanecerá iluminado. El tiempo de cocción seleccionado queda fijo y el temporizador empieza una cuenta regresiva.
7. Cuando el tiempo de cocción haya finalizado, sonará una campanilla larga. "COOK TIME" (tiempo de cocción) y "00:00" desaparecerán. La unidad cambiará a la configuración de calor "WARM" (calentar) y el temporizador comenzará una cuenta ascendente. Después de 4 horas en WARM (calentar), la unidad de apagará en forma automática.
8. Presione el botón START/STOP (iniciar/detener) en cualquier momento para finalizar la cocción y para apagar la unidad. Aparecerá "OFF" en la pantalla y la olla hará sonar una campanilla tres veces.



MODOS DE PROGRAMA

Existen 3 opciones de cocción lenta en el modo PROGRAM (programa): 1) Se programa un ciclo de calor y de tiempo en una sesión de cocción. 2) Se programan dos ciclos de calor y de tiempo en una sesión de cocción. 3) Se usa la sonda para configurar la temperatura final deseada.

1 PROGRAM (1 programa)

Seleccione una configuración de calor y tiempo para toda la sesión de cocción. Cambiará automáticamente a WARM (calentar) al final del ciclo de cocción.

1. Agregue los alimentos al recipiente y cubra con la tapa.
2. Gire el bisel selector a PROGRAM (programa). La pantalla de LCD muestra la configuración de "1 PROGRAM" (1 programa) y "2 PROGRAMS" (2 programas).
3. Gire la perilla hacia la izquierda para seleccionar 1 PROGRAM (1 programa). Libere la perilla una vez que se haya seleccionado 1 PROGRAM. La configuración destellará tres veces antes de quedar fija.

NOTA: Si el botón START/STOP (iniciar/detener) se presiona antes de que la pantalla deje de destellar, el programa irá al paso siguiente en el proceso de configuración.

4. Una vez que "1 Program" queda fijo, aparecerán las configuraciones de calor de "LOW MED HIGH" (baja, media, alta). Gire la perilla hacia la izquierda o derecha para seleccionar LOW (baja), MEDIUM (media) o HIGH (alta). WARM (calentar) no es una opción. Libere la perilla una vez que haya seleccionado una configuración de calor; luego, la configuración destellará tres veces antes de que quede fija.

NOTA: Para acceder a la configuración previa en cualquier momento, presione el botón BACK (atrás) una vez.

5. Una vez que la configuración de calor seleccionada queda fija, podrán verse destellando "COOK TIME" (tiempo de cocción) y "00:00". Ajuste la configuración de tiempo girando la perilla hacia la derecha para aumentar el tiempo de cocción o hacia la izquierda para reducirlo. El tiempo se ajusta en unidades de 30 minutos, con un tiempo mínimo de 30 minutos y un máximo de 12 horas. Libere la perilla una vez que se haya configurado el tiempo. El tiempo y el botón START/STOP (iniciar/detener) comenzarán a destellar.
6. Presione el botón START/STOP (iniciar/detener) para comenzar la cocción. Sonará una campanilla larga y el botón START/STOP (iniciar/detener) permanecerá iluminado. El tiempo de cocción seleccionado queda fijo y el temporizador empieza una cuenta regresiva.
7. Cuando el tiempo de cocción haya finalizado, sonará una campanilla larga. "COOK TIME" (tiempo de cocción) y "00:00" desaparecerán. La unidad cambiará a la configuración de calor "WARM" (calentar) y el temporizador comenzará una cuenta ascendente. Después de 4 horas en WARM (calentar), la unidad de apagará en forma automática.
8. Presione el botón START/STOP (iniciar/detener) en cualquier momento para finalizar la cocción y para apagar la unidad. Aparecerá "OFF" en la pantalla y la olla hará sonar una campanilla tres veces.

NOTA: Durante el ciclo, la configuración de calor puede ajustarse en cualquier momento girando la perilla. La nueva configuración seleccionada destellará tres veces antes de quedar fija y que la temperatura se ajuste. No hace falta presionar el botón START/STOP (iniciar/detener). La configuración de tiempo puede ajustarse en cualquier momento presionando el botón TIMER (temporizador) para reactivar el tiempo y que destelle, y la perilla puede girarse para ajustar el tiempo de cocción.



2 PROGRAMS (2 programas)

Seleccione dos configuraciones de calor y duraciones de tiempo diferentes en una sesión de cocción. Por ejemplo, programe para cocinar en HIGH (alta) durante 4 horas, luego en LOW (baja) por 3 horas. Ideal para acortar el tiempo de cocción de elementos como estofados para calentar rápido en HIGH (alta) y luego permitir que se ablande en LOW (baja). Cambia automáticamente a WARM (calentar) al final del ciclo de cocción.

1. Agregue los alimentos al recipiente y cubra con la tapa.
2. Gire el bisel selector a PROGRAM (programa). La pantalla de LCD muestra la configuración de “1 PROGRAM” (1 programa) y “2 PROGRAMS” (2 programas).
3. Gire la perilla hacia la derecha para seleccionar “2 PROGRAMS” (2 programas). Libere la perilla una vez que se haya seleccionado “2 PROGRAMS” (2 programas). La configuración destellará tres veces antes de quedar fija.
NOTA: Si el botón START/STOP (iniciar/detener) se presiona antes de que la pantalla deje de destellar, el programa irá al paso siguiente en el proceso de configuración.



4. Una vez que “2 PROGRAMS” (2 programas) queda fijo, podrán verse destellantes “CYCLE 1” (ciclo 1) y las configuraciones de calor. Gire la perilla hacia la izquierda o derecha para seleccionar LOW (baja), MEDIUM (media) o HIGH (alta). WARM (calentar) no es una opción. Libere la perilla una vez que haya seleccionado una configuración de calor; luego, la configuración destellará tres veces antes de que quede fija.



NOTA: Para acceder a la configuración previa en cualquier momento, presione el botón BACK (atrás) una vez.

5. Una vez que la pantalla queda fija, podrán verse destellando “SETTING TIME” (configurando tiempo) y “00:00”. Ajuste la configuración de tiempo girando la perilla hacia la derecha para aumentar el tiempo o hacia la izquierda para reducirlo. El tiempo se ajusta en unidades de 30 minutos, con un tiempo mínimo de 30 minutos y un máximo de 24 horas. Libere la perilla una vez que haya configurado el tiempo y el tiempo destellará tres veces antes de que quede fijo.



6. Una vez que la pantalla queda fija, podrán verse destellantes “CYCLE 2” (ciclo 2) y las configuraciones de calor de “WARM LOW MED HIGH” (calentar, baja, media, alta). Gire la perilla hacia la izquierda o derecha para seleccionar WARM (calentar), LOW (baja), MEDIUM (media) o HIGH (alta). Libere la perilla una vez que haya seleccionado una configuración de calor; luego, la configuración destellará tres veces antes de que quede fija.



7. Una vez que la pantalla queda fija, podrán verse destellando “SETTING TIME” (configurando tiempo) y “00:00”. Ajuste la configuración de tiempo girando la perilla hacia la derecha para aumentar el tiempo o hacia la izquierda para reducirlo. El tiempo se ajusta en unidades de 30 minutos, con un tiempo mínimo de 30 minutos y un máximo de 24 horas. Libere la perilla una vez que se haya configurado el tiempo. El tiempo y el botón START/STOP (iniciar/detener) comenzarán a destellar.



NOTA: El tiempo de cocción total máximo combinado para el ciclo 1 y ciclo 2 es de 24 horas.

8. Presione el botón START/STOP (iniciar/detener) para comenzar la cocción. Sonará una campanilla larga y el botón START/STOP (iniciar/detener) permanecerá iluminado. En la pantalla podrá verse “CYCLE 1” (ciclo 1), la configuración de calor seleccionada y el tiempo de cocción del ciclo y el tiempo de cocción total.
9. Cuando el tiempo de cocción del ciclo 1 haya finalizado, sonará una campanilla corta indicando la finalización del ciclo 1. La unidad cambiará al ciclo 2 y las configuraciones de calor y tiempo se ajustarán a las configuraciones del ciclo 2.
10. Cuando el ciclo 2 haya finalizado, sonará una campanilla larga. “COOK TIME” (tiempo de cocción) y “00:00” desaparecerán. La unidad cambiará a la configuración de calor “WARM” (calentar) y el temporizador comenzará una cuenta ascendente. Después de 4 horas en WARM (calentar), la unidad de apagará en forma automática.
11. Presione el botón START/STOP (iniciar/detener) en cualquier momento para finalizar la cocción y para apagar la unidad. Aparecerá destellante “OFF” en la pantalla y la olla hará sonar una campanilla tres veces.



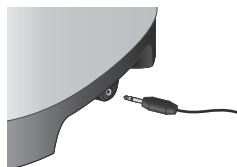
NOTA: Durante el ciclo, la configuración de calor puede ajustarse en cualquier momento girando la perilla. La nueva configuración seleccionada destellará tres veces antes de quedar fija y que la temperatura se ajuste. No hace falta presionar el botón START/STOP (iniciar/detener). La configuración de tiempo puede ajustarse en cualquier momento presionando el botón TIMER (temporizador) para reactivar el tiempo y que destelle, y la perilla puede girarse para ajustar el tiempo de cocción.

PROGRAMA CON SONDA

Use la sonda para cocinar alimentos a la temperatura interna deseada. Para muchos alimentos, como cortes grandes de carne, la temperatura de los alimentos es la mejor prueba para verificar el grado de cocción. La sonda de temperatura evita tener que adivinar. Seleccione la temperatura interna de los alimentos deseada, y la olla cambiará automáticamente a WARM (calentar) cuando se alcance la temperatura deseada.

La sonda sólo puede ser usada con 1 PROGRAM (1 programa).

1. Introduzca el extremo de la sonda en el enchufe de la sonda ubicado en el lado derecho de la olla multifunción. Introduzca la sonda de temperatura dentro de la parte más gruesa del alimento. Cubra el recipiente con la tapa, cuidando de colocar el cable de la sonda en la abertura de la tapa.
2. Gire el bisel selector a PROGRAM (programa). La pantalla de LCD muestra la configuración destellante "1 PROGRAM" (1 programa).
3. Una vez que "1 PROGRAM" queda fijo, aparecerán las configuraciones de calor de "LOW MED HIGH" (baja, media, alta). Gire la perilla hacia la izquierda o derecha para seleccionar LOW (baja), MEDIUM (media) o HIGH (alta). Libere la perilla una vez que haya seleccionado una configuración de calor; luego, la configuración destellará tres veces antes de que quede fija.



NOTA: Para acceder a la configuración previa en cualquier momento, presione el botón BACK (atrás) una vez.

4. Una vez que la configuración de calor seleccionada queda fija, podrán verse el ícono de la sonda destellando y la temperatura predeterminada de "155F". Ajuste la configuración de temperatura girando la perilla hacia la derecha para aumentar la temperatura o hacia la izquierda para reducirla. El rango de temperatura es de 100°–200°F. Libere la perilla una vez que haya configurado la temperatura de la sonda; luego destellarán y emitirán sonidos la pantalla y el botón START/STOP (iniciar/detener).

NOTA: Si la sonda no se ha enchufado, en la pantalla podrá verse "COOK TIME" (tiempo de cocción) y "00:00".

5. Presione el botón START/STOP (iniciar/detener) para comenzar la cocción. Sonará una campanilla larga y el botón START/STOP (iniciar/detener) permanecerá iluminado. Una vez que el ciclo se inicia, puede verse la configuración de temperatura deseada, junto con la lectura de temperatura actual de la sonda con el ícono de flecha ascendente.
6. Cuando se alcanza la temperatura deseada, sonará una campanilla larga. Las configuraciones de la sonda desaparecerán. La unidad cambiará a la configuración de calor "WARM" (calentar) y el temporizador comenzará una cuenta ascendente. Después de 4 horas en WARM (calentar), la unidad de apagará en forma automática.
7. Presione el botón START/STOP (iniciar/detener) en cualquier momento para finalizar la cocción y para apagar la unidad. Aparecerá destellante "OFF" en la pantalla y la olla hará sonar una campanilla tres veces.



NOTA: Durante el ciclo, la temperatura deseada puede ajustarse en cualquier momento girando la perilla. La nueva temperatura de la sonda seleccionada destellará tres veces antes de quedar fija. No hace falta presionar el botón START/STOP (iniciar/detener).

Consejos

COCCIÓN LENTA

- Elija los modos MANUAL, MEAL TIMER (temporizador de comidas), o PROGRAM (programa). Ver las páginas 65–70 para descripciones completas.
- La configuración de temperatura alta es mejor para alimentos que requieren calor alto y no tienden a sobrecocerse, tales como papas, frijoles, estofados, chile, sopas, y cuando se “hornea” en uno de los modos de cocción lenta. Es una buena opción cuando usted no tiene tiempo para una cocción lenta prolongada. 1 hora en High (alta) es equivalente a 1 1/2–2 horas en Low (baja).
- La configuración de temperatura media es una buena opción para pollo, cortes magros de cerdo y alimentos que pueden sobrecocerse o secarse.
- La configuración de temperatura baja es mejor para cortes de carne grandes o duros que requieren un tiempo de cocción prolongado y en ocasiones en las que se necesita dejar una comida cocinándose por un tiempo prolongado, como durante la noche o durante un día de trabajo.
- La configuración de temperatura "Warm" (calentar) no está concebida para cocinar alimentos. Debe usarse para mantener calientes los alimentos ya preparados.
- Para mejores resultados, el recipiente debe estar lleno por lo menos hasta la mitad de su capacidad. Si se llena menos de la mitad, verifique el nivel de cocción de 1 a 2 horas antes de lo señalado en la receta.
- Descongele toda la carne de res o de ave antes de la cocción lenta.
- No utilice la cocción lenta sin algo de líquido en el recipiente. Se recomienda por lo menos 1 pulgada (2.5 cm) de líquido en el fondo del recipiente.
- Cuando cocine carne de res, cuanto mayor el contenido de grasa, menor la cantidad de líquido necesario. Para reducir la cantidad de grasa en la cocción, recorte la mayor cantidad de grasa visible y quite la piel del ave.
- Muy poco líquido se evapora durante una cocción lenta. Cuando prepare su sopa o salsa favorita, reduzca el líquido indicado en la receta de media a una taza entera (118–237 ml). Si la cocción es muy espesa, puede agregarse líquido más tarde.
- Los vegetales de raíz como las papas y zanahorias deben cortarse en trozos no mayores a 2 pulgadas (5.1 cm) para asegurar una cocción completa.
- Algunos alimentos no son adecuados para una cocción lenta prolongada. Las pastas, frutos de mar, leche, crema y crema agria deben agregarse no más de 2 horas antes de servir.
- Usualmente no es necesario mezclar los alimentos durante la cocción lenta. Quitar la tapa genera la pérdida de calor y prolonga el tiempo de cocción. Cuando cocine una comida en High (alta), se recomienda mezclar de vez en cuando.
- Para obtener más información sobre temperaturas seguras de cocción interna, visite www.foodsafety.gov.

CÓMO USAR LOS MODOS DE COCCIÓN

ARROZ

Siempre utilice las medidas recomendadas en la Tabla de cocción de arroz de la página 73.

1. Agregue el arroz y el agua al recipiente en las cantidades recomendadas en la tabla de arroz. Cubra con la tapa.
2. Gire el bisel selector a RICE (arroz). En la pantalla de LCD se verá "RICE" (arroz) y destellan "1" y "2".



3. Gire la perilla hacia la izquierda o derecha para seleccionar la configuración 1 para arroz blanco y la configuración 2 para arroz integral. Libere la perilla una vez que haya seleccionado la configuración. Destellará tres veces antes de quedar fijo.
4. La pantalla de LCD mostrará "00:00" y el botón START/STOP (iniciar/detener) comenzará a destellar.
5. Presione el botón de START/STOP (iniciar/detener) para iniciar el ciclo de cocción. Sonará una campanilla y el botón START/STOP (iniciar/detener) permanecerá iluminado.
6. El temporizador hará una cuenta ascendente en minutos.
7. Cuando el ciclo haya finalizado, sonará una campanilla larga. La unidad cambiará a la configuración de calor "WARM" (calentar) y el temporizador comenzará una cuenta ascendente.
8. Presione el botón START/STOP (iniciar/detener) en cualquier momento durante la cocción para apagar la unidad.



NOTA: Si el botón START/STOP (iniciar/detener) no se presiona durante el ciclo de cocción o de la configuración "WARM" (calentar), la unidad permanecerá encendida por un máximo de 6 horas y luego se apagará en forma automática.

TABLA DE COCCIÓN DE ARROZ

CONFIGURACIÓN 1: ARROZ BLANCO (tiempo de cocción de 30 a 35 minutos)

Cantidad de arroz*	Cantidad de agua	Rendimiento
2 tazas (473 ml)	2 3/4 tazas (651 ml)	6 tazas (1.4 L)
3 tazas (710 ml)	4 tazas (946 ml)	9 tazas (2.1 L)
4 tazas (946 ml)	5 tazas (1.2 L)	12 tazas (2.8 L)
5 tazas (1.2 L)	7 tazas (1.7 L)	18 tazas (4.3 L)

CONFIGURACIÓN 2: ARROZ INTEGRAL (tiempo de cocción de 50 a 55 minutos)

Cantidad de arroz*	Cantidad de agua	Rendimiento
2 tazas (473 ml)	3 1/2 tazas (828 ml)	6 1/2 tazas (1.5 L)
3 tazas (710 ml)	4 1/2 tazas (1.1 L)	9 tazas (2.1 L)
4 tazas (946 ml)	6 tazas (1.4 L)	13 tazas (3.1 L)
5 tazas (1.2 L)	7 1/2 tazas (1.8 L)	16–17 tazas (3.8–4.0 L)

*Cuando utilice arroz procesado (parbolizado), use 1/4 taza (59 ml) de agua adicional por taza de arroz.

*El arroz integral cocido debe permanecer en WARM (calentar) por 5 a 10 minutos antes de servir.

*Tablas basadas en medidas hechas con una taza medidora de 8 onzas (237 ml).

CÓMO USAR LOS MODOS DE COCCIÓN

SAUTE/SEAR (saltar/sellar)

Utilice este modo para saltar vegetales o dorar carne antes de la cocción lenta, para sellar filetes, pollo o pescado después de la cocción sous vide, o para recetas que requieren el saltado o sellado como el único modo de cocción. Tiene un tiempo máximo de cocción de 45 minutos, incluyendo el precalentamiento. La tapa puede usarse durante el precalentamiento o para evitar las salpicaduras.

1. Gire el bisel selector a SAUTE/SEAR (saltar/sellar). Destellará en la pantalla LCD “LOW MED HIGH” (baja, media, alta).
2. Gire la perilla hacia la derecha o izquierda para seleccionar una configuración de calor. Libere la perilla cuando se haya establecido una configuración de calor. La configuración de calor seleccionada y el botón START/STOP (iniciar/detener) comenzarán a destellar.
3. Presione el botón START/STOP (iniciar/detener) para comenzar la cocción. Sonará una campanilla larga y el botón START/STOP (iniciar/detener) permanecerá iluminado.
4. La pantalla mostrará la configuración de calor seleccionada con el ícono de la flecha ascendente indicando que la temperatura está elevándose.
5. Cuando se alcanza la configuración de calor seleccionada, sonará una campanilla larga.
6. Agregue los alimentos al recipiente y salte o selle hasta el nivel de cocción deseado.
7. Presione el botón START/STOP (iniciar/detener) al finalizar la cocción para apagar la unidad, o seleccione otro modo si desea una cocción adicional.
8. La unidad permanecerá en el modo SAUTE/SEAR (saltar/sellar) por un tiempo máximo de 45 minutos.

NOTA: La configuración de calor puede ajustarse en cualquier momento durante la cocción girando la perilla. La nueva configuración de calor seleccionada destellará tres veces antes de quedar fija.

Consejos

SAUTE/SEAR (saltar/sellar)

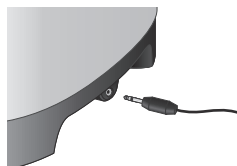
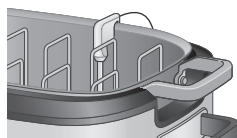
- Asegúrese de que el recipiente se haya precalentado por completo antes de agregar 10 minutos.
- Cuando dore carne, asegúrese de no llenar de más el recipiente. Cocine grandes cantidades en tandas, si fuera necesario.
- Si dorar carnes produce grasa excesiva, elimine la grasa con cuidado antes de la cocción lenta.



SOUS VIDE

SOUS VIDE es un método de cocción en el que los alimentos sellados se cocinan en un baño de agua a temperatura precisamente controlada, en una configuración de entre 100°F (38°C) y 200°F (93°C). La sonda de temperatura se usa para controlar la temperatura del agua. Este método asegura resultados parejos y predecibles y evita la sobrecocción. En este modo, los alimentos se condimentan y luego se sellan en bolsas o frascos resistentes al calor. El recipiente se llena con agua tibia y los alimentos sellados se agregan al baño de agua cuando se alcanza la temperatura deseada. Puede usarse la rejilla removible cuando cocine varias bolsas a la vez. Para mejores resultados, las proteínas pueden dorarse antes y/o después de la cocción sous vide para lograr un exterior bien dorado. Los alimentos sólidos deben sellarse en una bolsa resistente al calor que esté clasificada como apta para sous vide. Los huevos o natillas pueden cocerse en frascos de vidrio herméticos.

1. Agregue agua al recipiente, dejando un espacio libre de por lo menos 1 pulgada (2.5 cm) entre la parte superior del agua y la parte superior del recipiente. Coloque el recipiente en la base de la olla. Enganche la sonda de temperatura en el costado del recipiente, alineando con el ícono de la sonda, y cubra con la tapa. Verifique de alinear la sonda con la abertura de la tapa.
2. Introduzca el extremo de la sonda en el enchufe de la sonda ubicado en el lado derecho de la olla multifunción. La sonda se encuentra en el agua para controlar la temperatura del agua durante el modo Sous Vide.
3. Gire el bisel selector a SOUS VIDE. (Si la sonda no está enchufada, en la pantalla podrá verse “Prb.”)
4. La pantalla de LCD mostrará el ícono de la sonda destellante y la temperatura predeterminada de la sonda de “155F”.



CÓMO USAR LOS MODOS DE COCCIÓN

5. Gire la perilla hacia la derecha para aumentar la temperatura o hacia la izquierda para reducirla. Se ajustará en unidades de 1°F, y el rango de temperatura es de 100°–200°F. Libere la perilla una vez que haya configurado la temperatura de la sonda; luego destellarán la pantalla y el botón START/STOP (iniciar/detener).
6. Presione el botón START/STOP (iniciar/detener) para comenzar la cocción. Sonará una campanilla larga y el botón START/STOP (iniciar/detener) permanecerá iluminado. Una vez que el ciclo se inicia, puede verse la configuración de temperatura deseada, junto con la lectura de temperatura actual de la sonda con el ícono de flecha ascendente.
7. Cuando se alcanza la temperatura deseada, sonará una campanilla larga. Agregue los alimentos sellados al baño de agua en este momento y coloque la tapa en el recipiente, alineando la abertura de la sonda con la sonda. La unidad seguirá mostrando la temperatura de la sonda por el resto del tiempo de cocción.
8. Si así lo desea, configure el temporizador. Presione TIMER (temporizador) para comenzar la cuenta ascendente. La pantalla de LCD mostrará “00:01” y comenzará la cuenta ascendente. El temporizador sólo puede iniciarse después de que se haya alcanzado la temperatura de la sonda. El temporizador puede apagarse en cualquier momento presionando el botón Timer.
9. Presione el botón START/STOP (iniciar/detener) en cualquier momento durante la cocción para apagar la unidad. La luz del botón START/STOP (iniciar/detener) se apagará y la pantalla destellará “OFF” (apagado) tres veces junto con tres campanillas cortas. Luego “OFF” quedará fijo.

NOTAS:

- Si el botón START/STOP (iniciar/detener) no se presiona durante la cocción, la unidad permanecerá encendida por un máximo de 72 horas y luego se apagará en forma automática.
- La temperatura de la sonda puede ajustarse en cualquier momento girando la perilla. La nueva temperatura de la sonda destellará tres veces antes de quedar fija.



Consejos

SOUS VIDE

- La mayoría de los alimentos cocidos con sous vide se sellan en bolsas utilizando una selladora de vacío, aunque ésta no es necesaria para cocinar con sous vide. También pueden usarse frascos de vidrio herméticos para la cocción sous vide y resultan muy adecuados para recetas que requieren mucho líquido o grasa, tales como mezclas de huevo o natillas, frijoles, granos, yogurt, pickles, y otros postres.
- Si usa una selladora de vacío, use bolsas resistentes al calor clasificadas para sous vide. Siga las instrucciones del fabricante de la selladora al vacío para el sellado.
- Cualquier alimento que se cocina por menos de 8 horas puede sellarse en bolsas plásticas resellables resistentes al calor sin una selladora de vacío, mediante el método de desplazamiento de agua:
 - Coloque los alimentos en una bolsa y quite la mayor cantidad posible de aire.
 - Cierre la bolsa dejando una abertura de 1 pulgada (2.5 cm) en la parte superior.
 - Con cuidado sumerja la parte inferior de la bolsa en agua hasta cubrir los alimentos. La presión del agua hará salir el aire de la bolsa.
 - No permita que ingrese agua a la bolsa.
 - Suavemente presione la bolsa para eliminar el aire restante y selle.
- Cualquier clase de alimento cocido con más de una pequeña cantidad de líquido no debería sellarse al vacío. El líquido podría ingresar a la selladora de vacío y provocar daños.
- Cuando cocine pescado, no selle las bolsas al vacío firmemente. Resulta deseable alrededor de un 75%, o utilice el método de desplazamiento de agua.
- Los alimentos pueden sellarse en bolsas por anticipado y almacenarse en el refrigerador durante la noche, o en el congelador, antes de la cocción para ahorrar tiempo.
- Para reducir el tiempo requerido para calentar el agua a la temperatura adecuada, llene el recipiente con agua tibia de grifo. Si va a cocinar a temperaturas más elevadas, llene el recipiente con agua caliente del grifo. La sonda brindará una lectura constante de la temperatura del agua en la pantalla. Si el agua está más caliente que la temperatura seleccionada, agregue cubitos de hielo para bajar la temperatura.
- Los alimentos congelados pueden cocerse con sous vide sin descongelarse primero, pero agregar alimentos congelados al baño de agua bajará la temperatura del agua. En general, debe agregarse una hora extra al tiempo de cocción total para dejar que los alimentos se descongelen por completo y alcancen la temperatura deseada.
- Seguridad de los alimentos: Cocinar con sous vide es tan seguro como hacerlo con los métodos de cocción tradicionales aunque los alimentos se cocinan a una temperatura más baja que con otros métodos de cocción.
 - Los tiempos y temperaturas provistas en la tabla de las páginas 78–79 son lo necesario para la pasteurización.
 - La seguridad de los alimentos está determinada por una combinación de qué alimentos está cocinando, el tiempo de duración de la cocción y la temperatura.
 - Para minimizar el riesgo de enfermedades provocadas por alimentos, siempre utilice los alimentos más frescos posibles y utilice prácticas de manipulación seguras.
 - Para más información sobre temperaturas seguras de cocción interna y de pasteurización, consulte www.foodsafety.gov o fsis.usda.gov.

CÓMO USAR LOS MODOS DE COCCIÓN

TABLA SOUS VIDE

NOTAS:

- Para carnes de res, pollo y pescado más gruesas, los tiempos de cocción serán mayores.
- Para obtener más información sobre temperaturas seguras de cocción interna, visite www.foodsafety.gov o fsis.usda.gov.

ALIMENTO Y NIVEL DE COCCIÓN	TEMPERATURA	TIEMPO
Filete (grosor de 1 a 1 1/4 pulgada [2.5 a 3 cm])		
Muy poco cocido a poco cocido	125°F (52°C)	1 a 3 horas
Jugoso	130°–135°F (54°–57°C)	1 a 4 horas
A punto	140°F (60°C)	1 a 4 horas
Cocido	150°F (66°C)	1 a 4 horas
Bien cocido	155°F (68°C)	1 a 4 horas
Cerdo		
Paleta/paleta estilo Boston, bien cocido, 3–4 libras (1.4–1.8 kg)	185°F (85°C)	8 a 10 horas
Filete de lomo, a punto, 1 1/2–2 libras (0.7–0.9 kg)	145°F (63°C)	2 a 4 horas
Lomo, a punto, 2–3 libras (0.9–1.4 kg)	150°F (66°C)	3 a 4 horas
Chuletas sin hueso, a punto, grosor de 3/4 pulgada (1.9 cm)	140°F (60°C)	1 a 2 horas
Chuletas con hueso, a punto, grosor de 1 pulgada (2.5 cm)	145°F (63°C)	1 a 2 horas
Costillas con hueso, 1 costillar entero, 3–4 libras (1.4–1.8 kg)	165°F (74°C)	12 a 14 horas
Pollo, carne blanca sin hueso (5 a 6 onzas [142–170 g])		
Muy tierna y jugosa	140°F (60°C)	1 a 3 horas
Tierna y jugosa	150°F (66°C)	1 a 3 horas
Firme y jugosa	160°F (71°C)	1 a 3 horas
Pollo, carne oscura sin hueso (5 a 6 onzas [142–170 g])		
Tierna y jugosa	167°–170°F (75°–77°C)	1 1/2 a 3 horas

ALIMENTO Y NIVEL DE COCCIÓN	TEMPERATURA	TIEMPO
Pescado (5 a 6 onzas [142–170 g])		
Cocido muy ligeramente, jugoso y tierno	110°–120°F (43°–49°C)	30 a 40 minutos
A punto, tierno y se deshace	122°–130°F (50°–54°C)	30 a 40 minutos
Bien cocido, firme y se deshace	135°–140°F (57°–60°C)	30 a 40 minutos
Vegetales		
Tallos de espárragos	185°F (85°C)	10 minutos
Remolachas cortadas en trozos de 2 pulgadas (5.1 cm)	185°F (85°C)	2 1/2 a 3 horas
Brócoli (flores pequeñas)	185°F (85°C)	30 a 40 minutos
Zanahorias cortadas en trozos de 2 pulgadas (5.1 cm)	185°F (85°C)	30 a 45 minutos
Coliflor (flores pequeñas)	185°F (85°C)	1 a 1 1/2 horas
Tomates cherry o uva en mitades	185°F (85°C)	20 a 30 minutos
Mazorca de maíz	185°F (85°C)	30 a 45 minutos
Hongos en mitades	195°F (91°C)	1 hora
Cebollas cortadas en trozos de 2 pulgadas (5.1 cm)	185°F (85°C)	1 a 1 1/2 horas
Papas cortadas en trozos de 2 pulgadas (5.1 cm)	185°F (85°C)	2 a 2 1/2 horas
Hojas de espinaca	185°F (85°C)	5 minutos
Calabaza cortada en trozos de 2 pulgadas (5.1 cm)	185°F (85°C)	1 a 1 1/2 horas
Tomates en mitades	185°F (85°C)	20 a 30 minutos
Frutas		
Manzanas en mitades sin centro	185°F (85°C)	1 1/2 horas
Peras en mitades sin centro	185°F (85°C)	1 1/2 horas

Recomendaciones de los cuidados

⚠ ADVERTENCIA Riesgo de descarga eléctrica:

No limpiar con esponjillas de metal. Pueden desprenderse pedazos de la esponjilla y tocar partes eléctricas, provocando un riesgo de descarga eléctrica.

Su olla multifunción debe limpiarse regularmente para un mejor desempeño y una prolongada vida útil. La limpieza regular también reduce el riesgo de incendio.

ANTES DE LIMPIAR

1. Desenchufe la olla multifunción y déjela enfriar.

LIMPIEZA

Pantalla del panel de control	Limpie con una esponja ligeramente húmeda. Proteja la pantalla cuando limpie otras superficies.
Exterior de acero inoxidable	Utilice un limpiador de acero inoxidable no abrasivo, como Signature Polish, y aplique con un paño suave libre de pelusas. Para resaltar el lustre natural, limpie la superficie suavemente con un paño de microfibra humedecido con agua seguido de un paño para lustrar seco. Siempre siga la veta del acero inoxidable. Signature Polish puede solicitarse por su sitio Web: www.signaturepolishonline.com .
Exterior que no es de acero inoxidable	Limpie la parte exterior de la olla multifunción con un paño húmedo o rocíe con un limpiador multipropósito. Limpie con un paño suave libre de pelusas. No utilice limpiadores abrasivos o paños de limpieza metálicos.
Interior de la olla multifunción	Limpie las paredes internas y el piso de la olla multifunción con un paño húmedo jabonoso.
Recipiente de acero inoxidable	<p>Deje enfriar el recipiente antes de lavarlo. Lave a mano con agua tibia jabonosa con una esponja, paño de cocina o esponjilla plástica después de cada uso, o lave en el lavavajillas.</p> <p>No utilice esponjillas metálicas, de acero o detergentes abrasivos.</p> <p>El recipiente es apto para lavavajillas.</p> <p>Las temperaturas elevadas y los detergentes abrasivos pueden decolorar el recipiente.</p> <p>Pueden generarse tintes amarrados-dorados o azules por sobrecalentamiento y/o residuos minerales. Para limpiar, haga una pasta con agua y limpiador no abrasivo de acero inoxidable o bicarbonato de sodio. NO UTILICE UN LIMPIADOR QUE CONTENGA CLORO. Aplique la pasta con una esponja o paño sobre el recipiente mientras todavía está tibio y friegue ligeramente en una dirección. Lave de nuevo, enjuague y seque.</p> <p>Aunque el acero inoxidable es muy duradero, no es indestructible. Pueden provocarse marcas si permanece sal sin disolver en el fondo del recipiente. No deje alimentos ácidos o alimentos condimentados en el recipiente por períodos prolongados.</p>
Sonda	Limpie la sonda con agua tibia jabonosa. Enjuague y seque por completo con un paño limpio.

DetECCIÓN Y SOLUCIÓN DE PROBLEMAS

Destella “Prb”.

- La sonda no está enchufada. Tenga a bien verificar la conexión.

Destella “Err 1”.

- La sonda está rota. Comuníquese con nuestro centro de atención al cliente.

Destella “Err 3”.

- La sonda se enchufó durante los modos MANUAL, MEAL TIMER (temporizador de comidas), RICE (arroz) o SAUTE/SEAR (saltar/sellar). Quite la sonda.

Destellan “Err 4” y “Err 5”.

- El control de temperatura de cocción está roto. Comuníquese con nuestro centro de atención al cliente.

Destella “Err 6”.

- El recipiente de cocción no está en su lugar o no está colocado correctamente. Coloque el recipiente o ajuste la unidad de cocción.

Garantía limitada residencial Wolf Gourmet

SÓLO PARA USO RESIDENCIAL

GARANTÍA LIMITADA DE CINCO AÑOS

Esta garantía de producto Wolf Gourmet corresponde sólo a electrodomésticos. Wolf Gourmet garantiza que los electrodomésticos se encuentran libres de defectos en cuanto a materiales y mano de obra durante un período de cinco (5) años desde la fecha de compra original.

GARANTÍA LIMITADA DE POR VIDA

Esta garantía de producto Wolf Gourmet corresponde sólo a recipientes de cocción y cubiertos. Wolf Gourmet garantiza que los recipientes de cocción y los cubiertos se encuentran libres de defectos en materiales y mano de obra durante la vida útil del producto. Las imperfecciones menores y las decoloraciones son normales y no se consideran defectos.

TÉRMINOS APLICABLES PARA CADA GARANTÍA

Esta garantía limitada residencial Wolf Gourmet se aplica a electrodomésticos, recipientes de cocción, y cubiertos adquiridos y utilizados en los EE.UU. La presente es la única garantía expresa para este producto y reemplaza a cualquier otra garantía.

Durante el período de garantía, su único recurso es la reparación o reemplazo del producto y cualquier componente que resulte defectuoso, según nuestro criterio. Todas las reparaciones provistas por Wolf Gourmet según los términos de esta garantía deben ser efectuadas por personal certificado por la fábrica Wolf Gourmet, a menos que Wolf Gourmet determine algo diferente por adelantado, y todas las reparaciones serán efectuadas durante un horario de trabajo normal.

Esta garantía no cubre el desgaste provocado por un uso normal, un uso que no cumpla con las instrucciones impresas, o daños al producto provocados por negligencia, accidentes, modificación, maltrato, uso indebido, o atención o reparaciones inadecuadas. Esta garantía pierde su validez si el producto es utilizado en otro medio que no sea el residencial o se somete a cualquier voltaje o forma de onda diferente a la especificada en la etiqueta de clasificación (ej., 120 V ~ 60 Hz). La presente garantía se extiende sólo al comprador consumidor original o recipiente inicial de un regalo.

Wolf Gourmet excluye todos los reclamos debido a daños especiales, incidentales y resultantes provocados por el incumplimiento de la garantía expresa o implícita. Toda nuestra responsabilidad se limita a la suma del precio de compra. SE DECLINAN TODAS LAS GARANTÍAS IMPLÍCITAS, INCLUIDAS CUALQUIER GARANTÍA DE COMERCIABILIDAD O APTITUD PARA UN OBJETIVO DETERMINADO, CON EXCEPCIÓN DE QUE SEA PROHIBIDO POR LA LEY, EN CUYO CASO DICHA GARANTÍA SE LIMITA A LA DURACIÓN DE LA PRESENTE GARANTÍA ESCRITA. Esta garantía le otorga derechos legales específicos. Usted puede contar con otros derechos legales que varían dependiendo de su lugar de residencia. Algunos estados no permiten las limitaciones sobre garantías implícitas o los daños incidentales o resultantes, por lo tanto estas limitaciones pueden no aplicarse en su caso.

Para efectuar un reclamo de garantía y para recibir el nombre de personal de reparación certificado por la fábrica Wolf Gourmet más cercano a su domicilio, tenga a bien comunicarse con Wolf Appliance, Inc., PO Box 44848, Madison, WI 53744; o visite la sección de contacto y apoyo de nuestro sitio Web en wolfgourmet.com/warranty; o envíenos un correo electrónico a customerservice@subzero.com; o llámenos al 800.222.7820. Para una atención más rápida, ubique los números de modelo, tipo y serie en la etiqueta de clasificación de su producto.



Modelo:
WGSC100S

Tipo:
SC68

Características Eléctricas:
120 V~ 60 Hz 1300 W

Los modelos incluidos en el instructivo de Uso y Cuidado pueden ir seguidos o no por un sufijo correspondiente a una o varias letras del alfabeto y sus combinaciones, separadas o no por un espacio, coma, diagonal, o guión. Como ejemplos los sufijos pueden ser: “Y” y/o “MX” y/o “MX Y” y/o “Z”.



WOLF APPLIANCE, INC. • P.O. BOX 44848 • MADISON, WI 53744

wolfgourmet.com • 800.222.7820

wolfgourmet.com.mx • 01.800.400.4372

840281800 7/2017