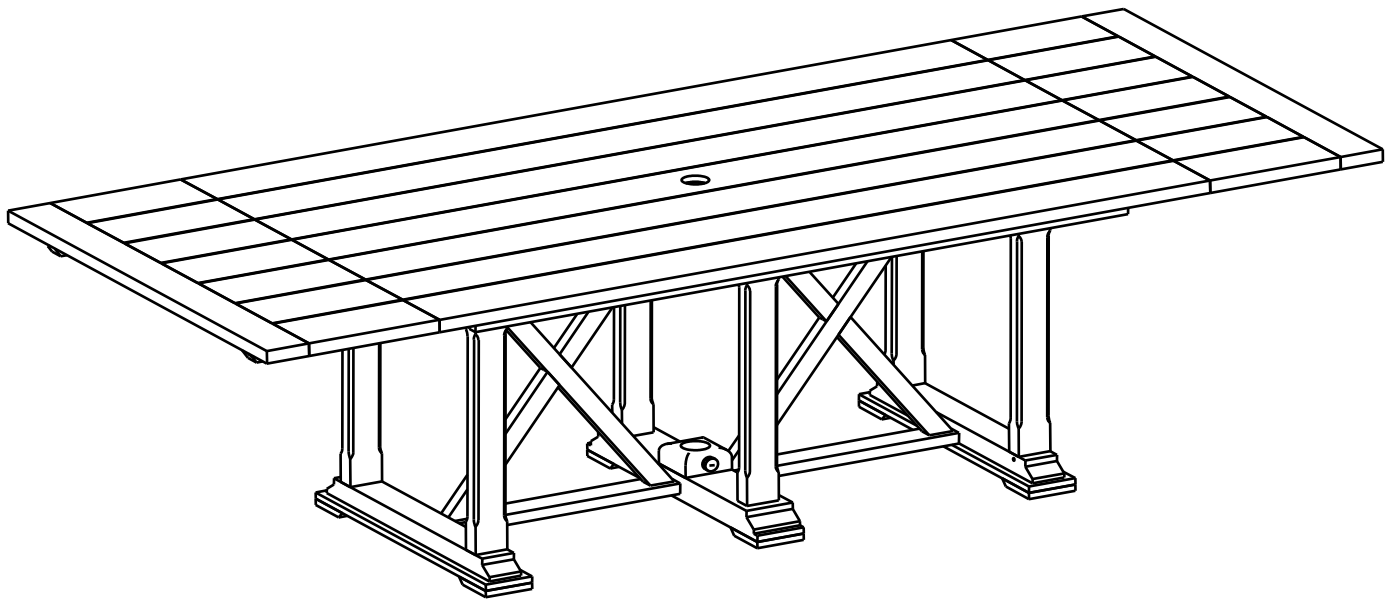


WILLIAMS-SONOMA

Somerset Dining Table

ASSEMBLY INSTRUCTIONS



Date: 2014-APRIL-03

Customer Service 877.812.6235 www.williams-sonoma.com

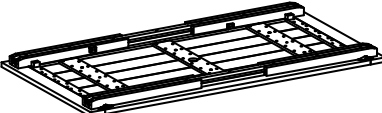
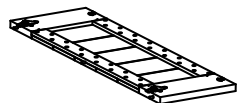
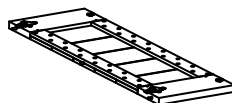
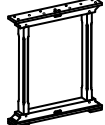
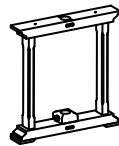

Important Safety Instructions:

- Please read all instructions carefully before assembling this table.
- For your safety, assembly by two or more adults is strongly recommended.
- Keep these instructions for future use.
- Use only vendor-supplied hardware to assemble this item. Using unauthorized hardware could jeopardize the structural integrity of the item.


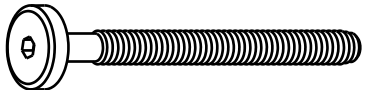
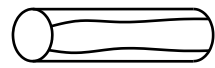

Pre-assembly:

- Remove all parts and hardware from the box. Place all items on a carpeted or scratch-free work surface, as this will avoid damaging parts during assembly. The shipping box provides an ideal work surface.
- To avoid accidentally discarding small parts or hardware, do not dispose of any packaging or contents of the shipping carton until assembly is complete.
- Use the parts and hardware lists below to identify and separate each of the pieces included.
- The illustrations provided allow for easier assembly when used in conjunction with the assembly instructions.
- The use of power tools to aid in assembly is not recommended. Power tools can damage the hardware and split wood.

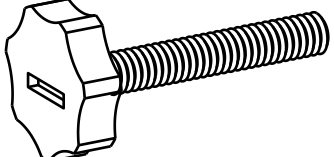
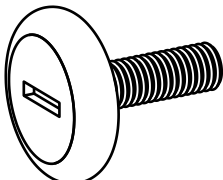
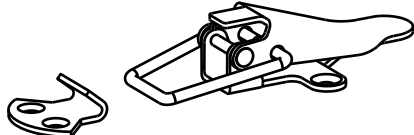
Parts Included:

<p>(A) Table Top – 1x</p> 	<p>(B1) Extension Leaf – 1x</p> 	<p>(B2) Extension Leaf – 1x</p> 	<p>(C) Outer Leg Frame – 2x</p> 
<p>(D) Center Leg Frame – 1x</p> 		<p>(E) Crossbar – 2x</p> 	

Hardware Included:

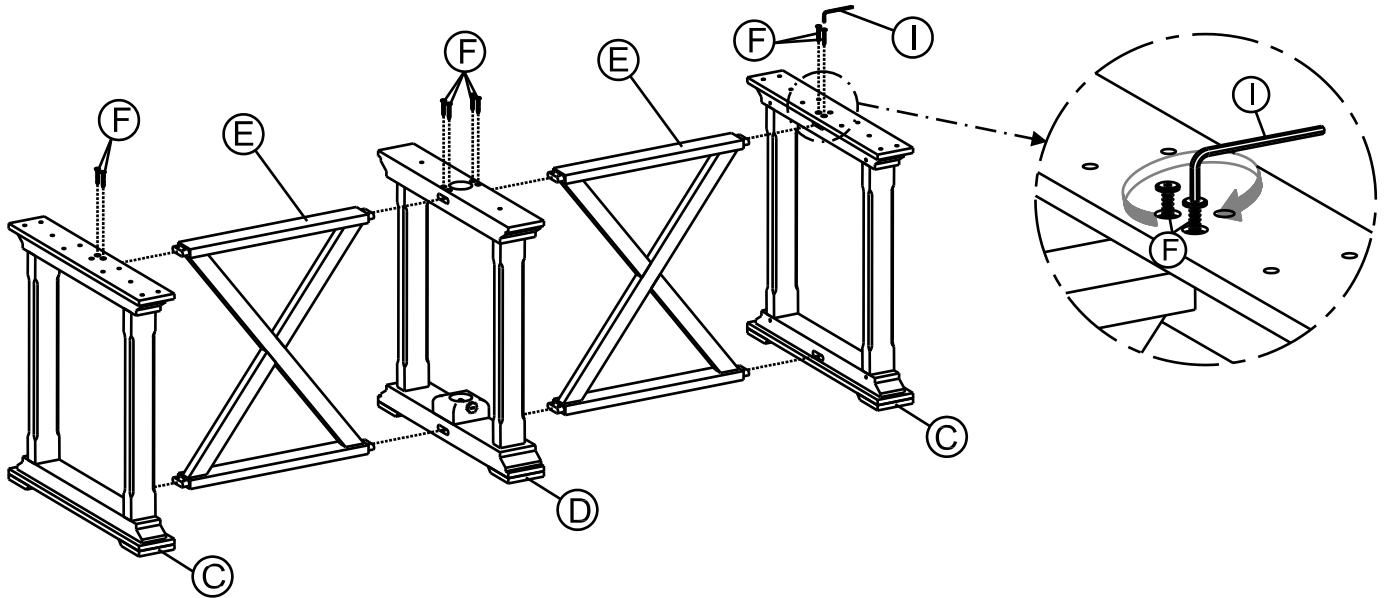
<p>(F) Screw 1/4" x 1-3/4" – 16x</p> 	<p>(G) Bolt 1/4" x 2-3/4" – 6x</p> 
<p>(H) Wooden dowel Ø3/8" x 1-3/16" – 2x</p> 	<p>(I) Allen key 5/32" x 1-3/16" x 4" – 1x</p> 

Pre-attached hardware:

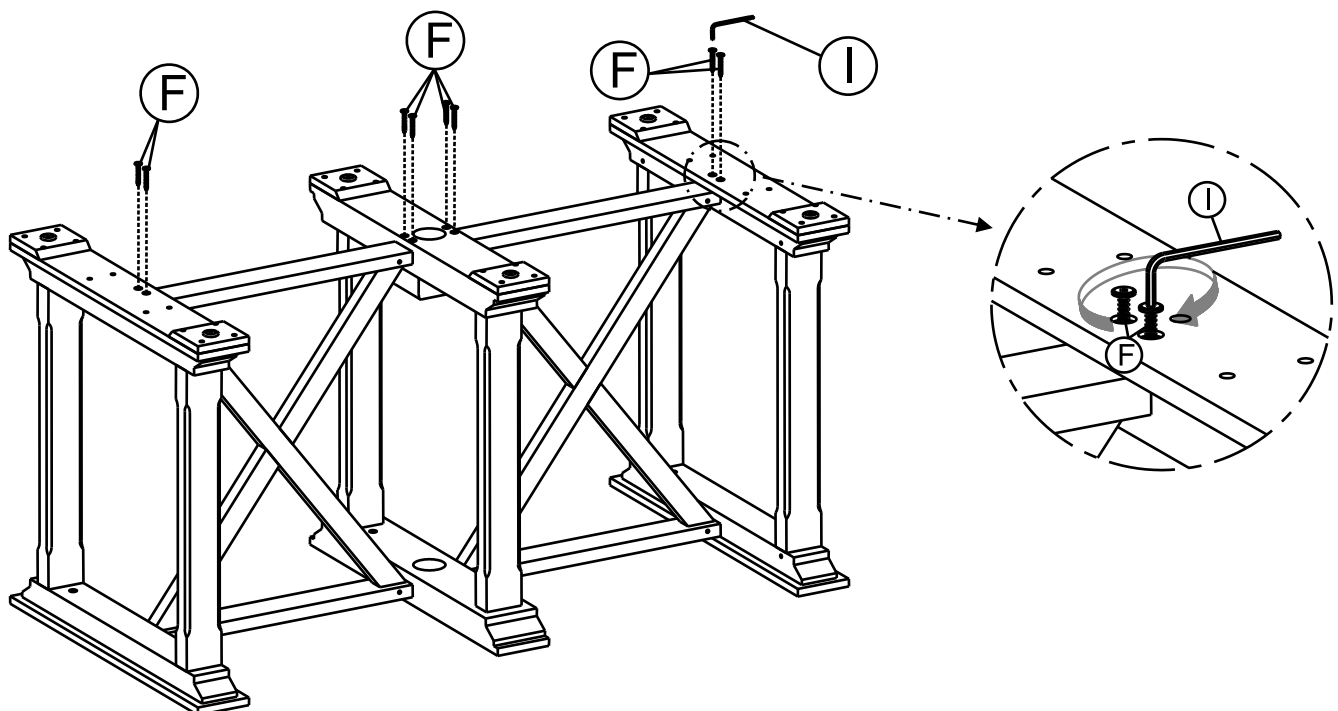
<p>(J) Thumb Screw</p> 	<p>(K) Leveler</p> 	<p>(L) Extension Hardware</p> 
--	--	---

Assembly Instruction Steps:

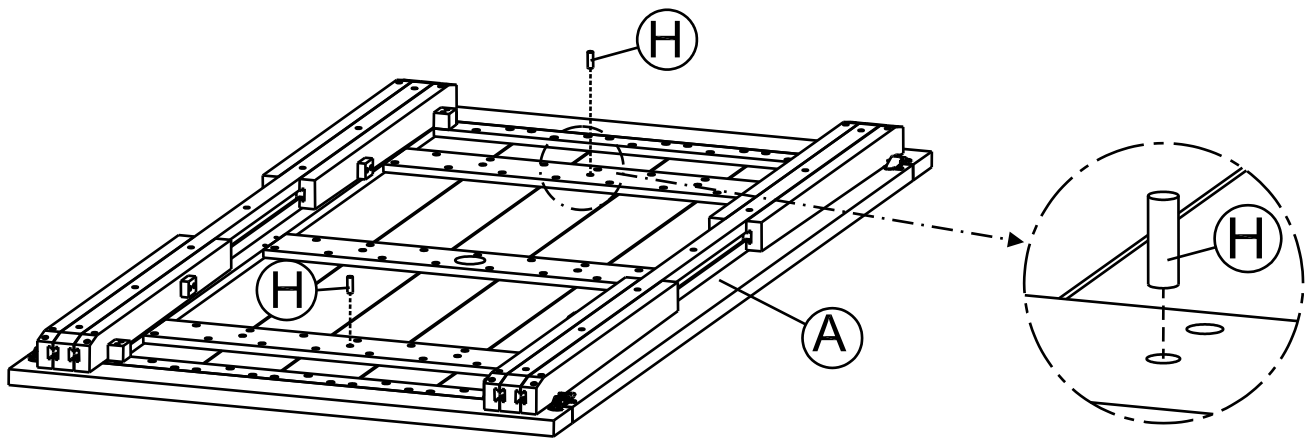
1. Connect the 2 Outer Leg Frames (C) to the Center Leg Frame (D) using Crossbars (E), as seen in the illustration below. Align the Crossbar (E) tenon to the mortise of the Outer Leg Frame (D) and Center Leg Frame (D), as seen in the illustration below.
2. Secure the assembly with Screw (F).
3. Using the supplied Allen Key (I), tighten the Screw (F) by rotating clockwise.



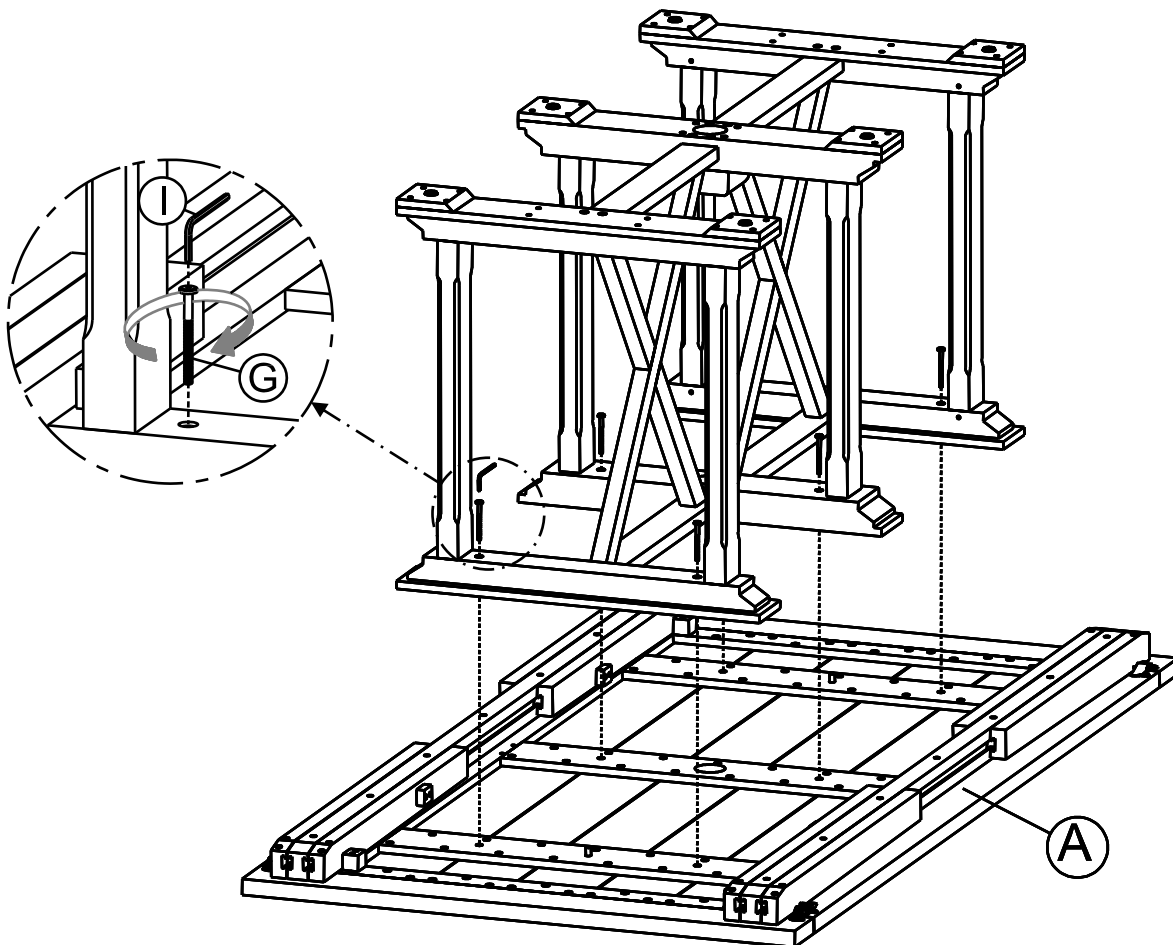
4. With the help of another person, carefully turn the base upside down, as seen in the illustration below.
5. Secure the bottom assembly with Screw (F).
6. Using the supplied Allen Key (I), tighten the Screw (F) by rotating clockwise.



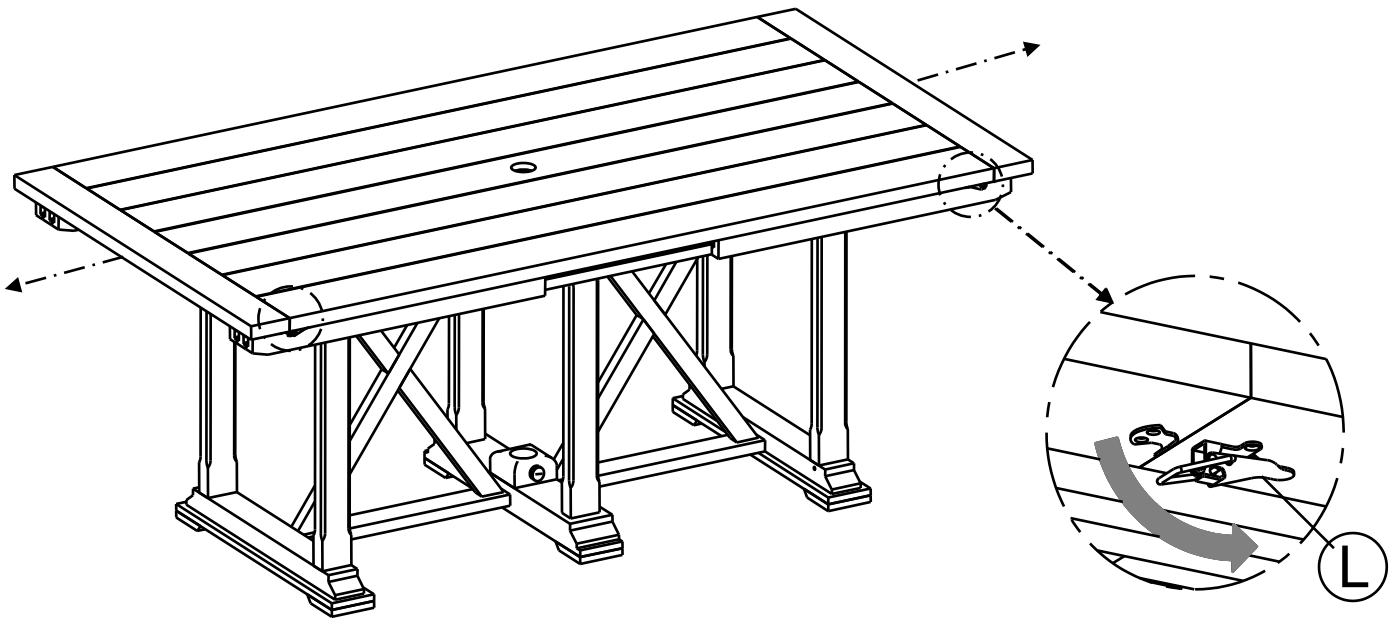
7. Place Table Top (A) upside down on a scratch free surface such as carpet, or the foam inside the shipping box.
8. Place the 2 Wooden Dowels (H) into the pre drilled holes underneath Table Top (A) as seen in the illustration below.



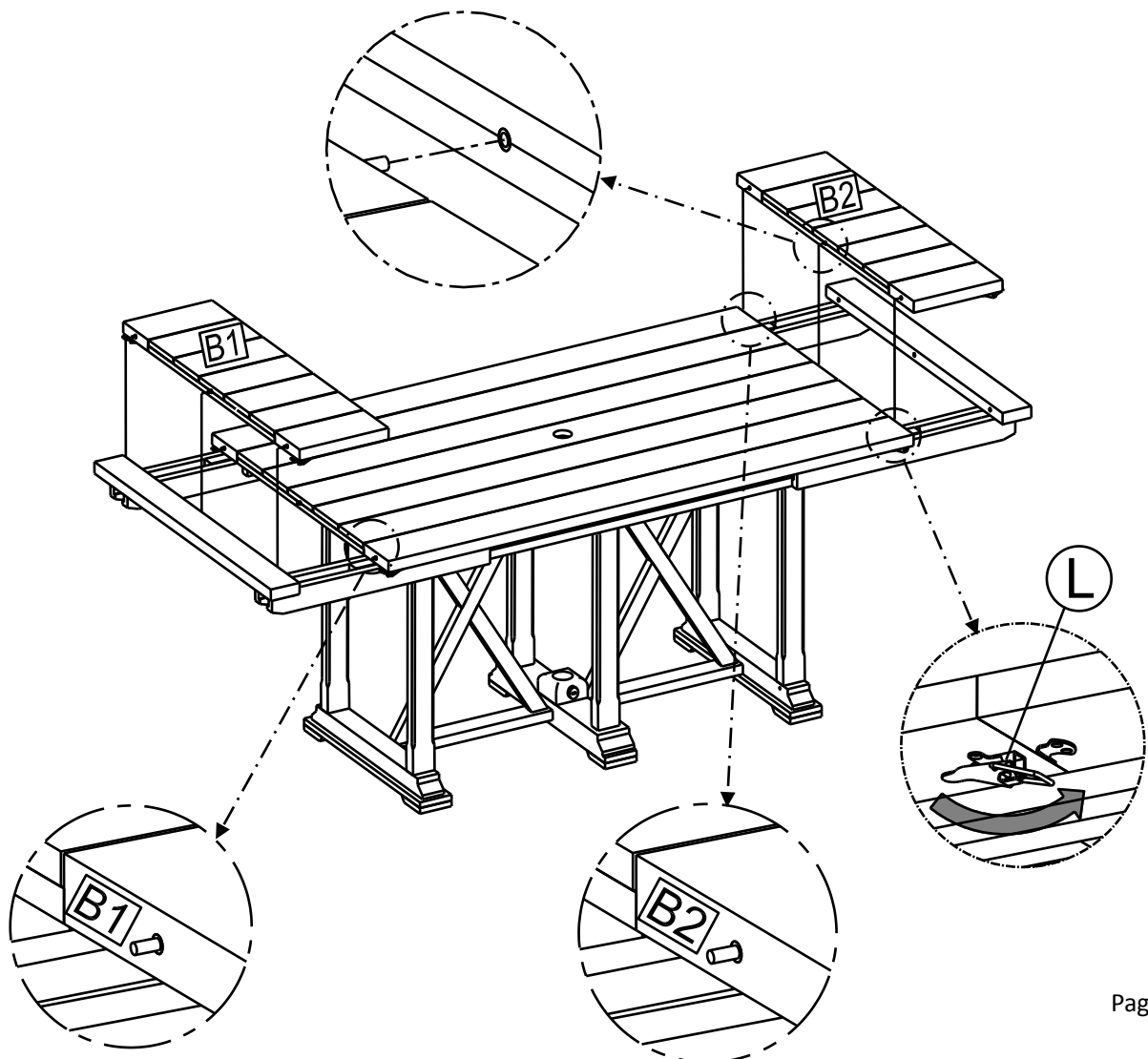
9. With the help of another person, place the assembled Table Base onto the Table Top (A), by aligning the pre-drilled holes to the Wooden Dowels (H).
10. Fasten the assembly using 6 Bolts (G), as seen in the illustration below.
11. Tighten with the supplied Allen Key (I).



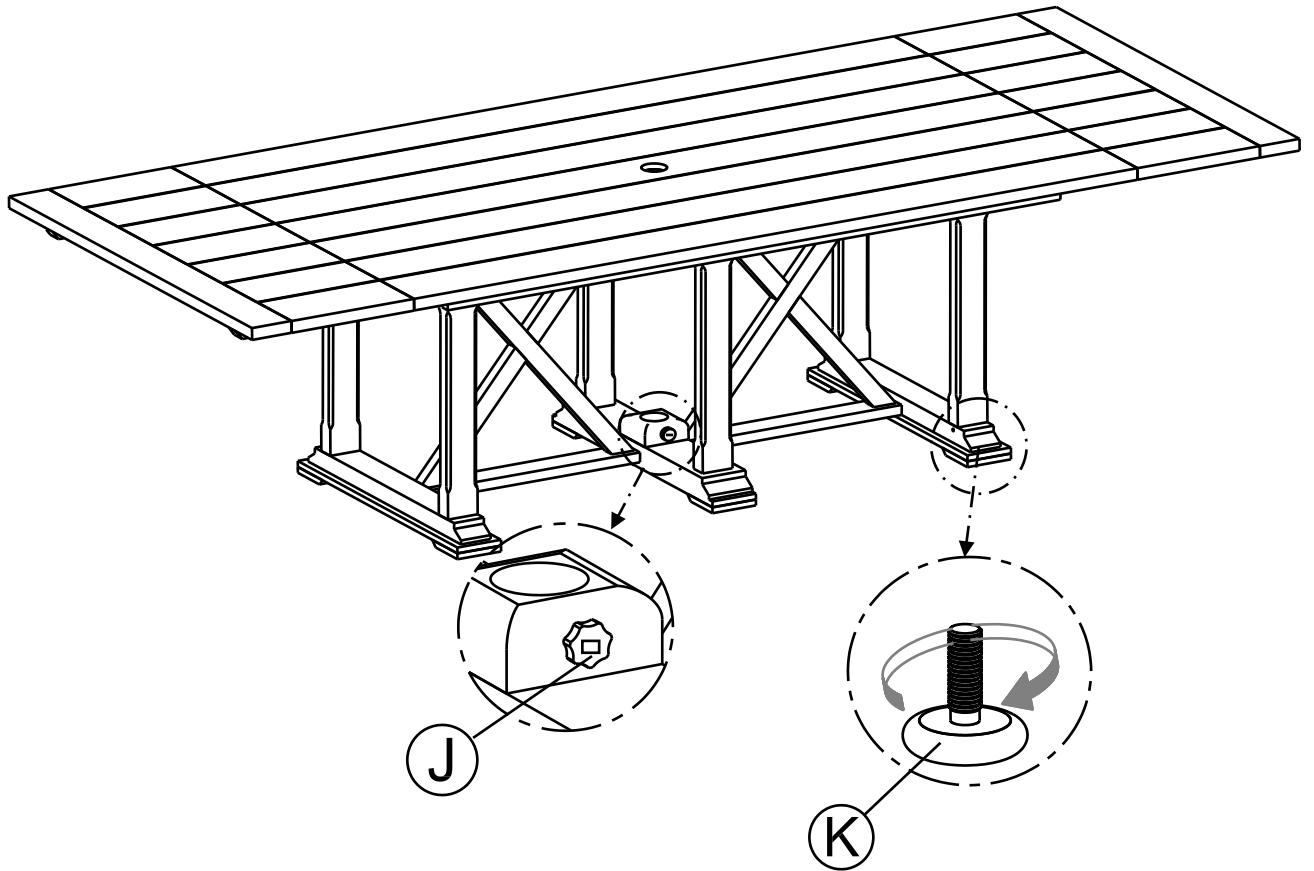
12. Carefully turn the table upright and re-tighten all the Bolts (G).
13. Unlock the Extension Hardware (L) on both sides of the table, by flipping the lever to release the lock and pulling the breadboard out, as seen in the illustration below.



14. Place the Extension Leaf (B1) and (B2) onto the Table Top (A) as seen in the illustration below.
15. Align the metal pins and push the ends of the Extension Leaf (B1) and (B2) to fasten.
16. Push the breadboard towards the inside and lock the extensions, as seen in the illustration below.



17. If you wish to use an umbrella, loosen the Thumb Screw (J) found at the bottom of the Center Leg Frame (D), as seen in the illustration below.
18. Tighten the Thumb Screw (J) once the umbrella pole is inserted into the hole.
19. If the table does not sit level, adjust the levelers found under the legs (in or out) to stabilize the table.
20. Assembly is complete.



Care Instructions:

- Dust often using a clean, soft, dry and lint-free cloth.
- Blot spills immediately and wipe with a clean, damp cloth.
- We do not recommend the use of chemical cleansers, abrasives, or furniture polish on product's surface.
- Hardware may loosen over time. Periodically check to make sure all connections are tight. Re-tighten if necessary.