

KEATING BED

Important Safety Instructions:

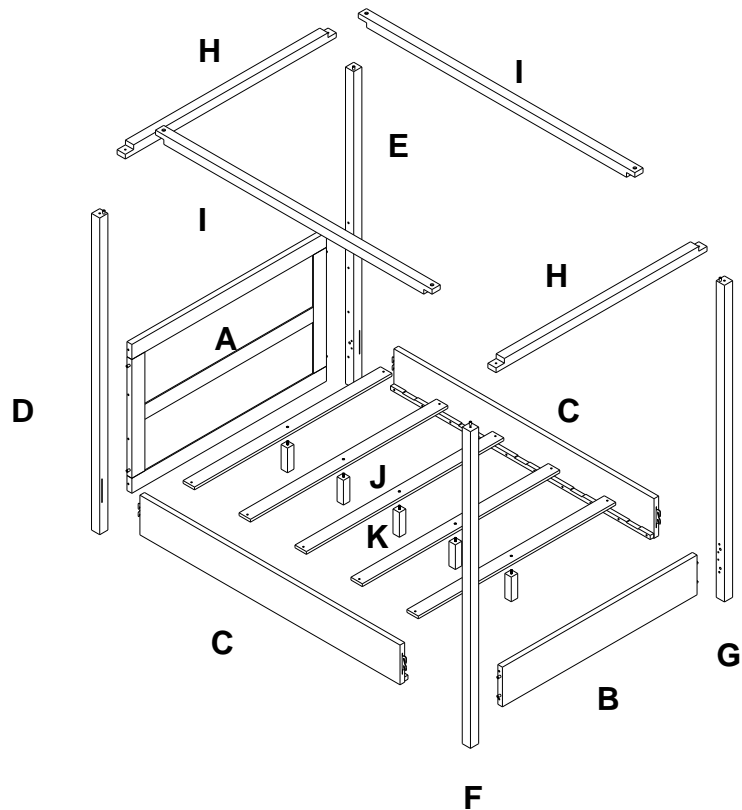
- Please read all instructions carefully before assembling.
- For your safety, assembly by two or more adults is strongly recommended.
- Keep instructions for future use.
- Use only vendor supplied hardware to assemble. Using unauthorized hardware could jeopardize the structural integrity of the item.

Pre-assembly:

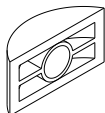


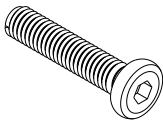
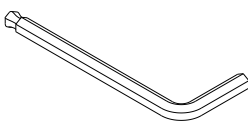
- Remove all parts and hardware from the box and lay out on a clear carpeted or scratch-free work surface, as this will avoid damaging parts during assembly. The shipping box provides an ideal work surface.
- Do not dispose of any packaging or contents of the shipping carton until assembly is completed to avoid accidentally discarding small parts or hardware.
- Use the parts and hardware lists below to identify and separate each of the pieces included.
- The illustrations provided allow for easier assembly when used in conjunction with the assembly instructions.
- The use of power tools to aid in assembly is not recommended. Power tools can damage hardware and split wood.

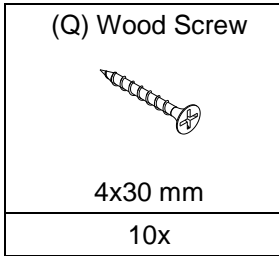
Parts Included:

- (A) Headboard panel 1x
- (B) Footboard panel 1x
- (C) Side rail 2x
- (D) Headboard left post 1x
- (E) Headboard right post 1x
- (F) Footboard left post 1x
- (G) Footboard right post 1x
- (H) Short canopy rail 2x
- (I) Long canopy rail 2x
- (J) Slat 5x
- (K) Support leg 5x

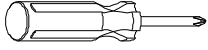


Hardware Included:

(L) Fitting	(M) Flat washer	(N) Spring washer	(O) Allen bolt M8x50	(P) Allen key
				
12x	16x	16x	16x	1x



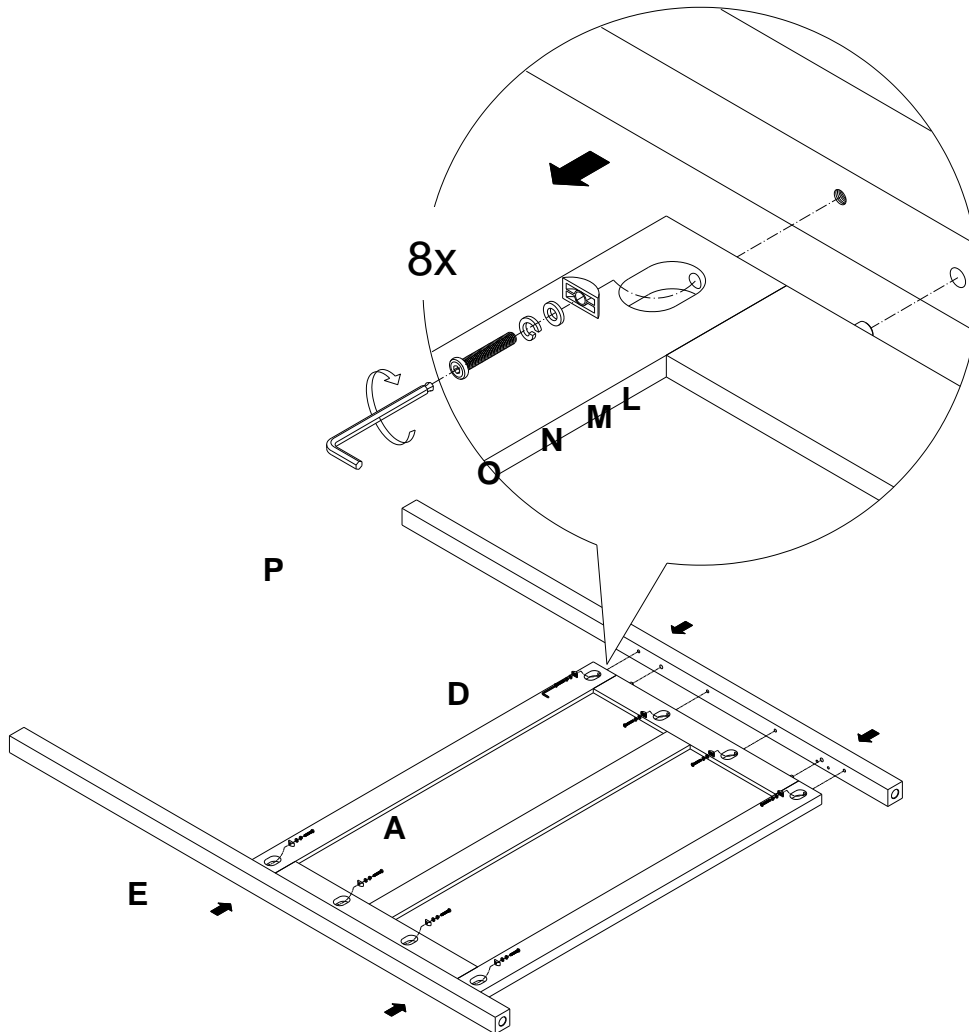
Tools Required (Not Included):



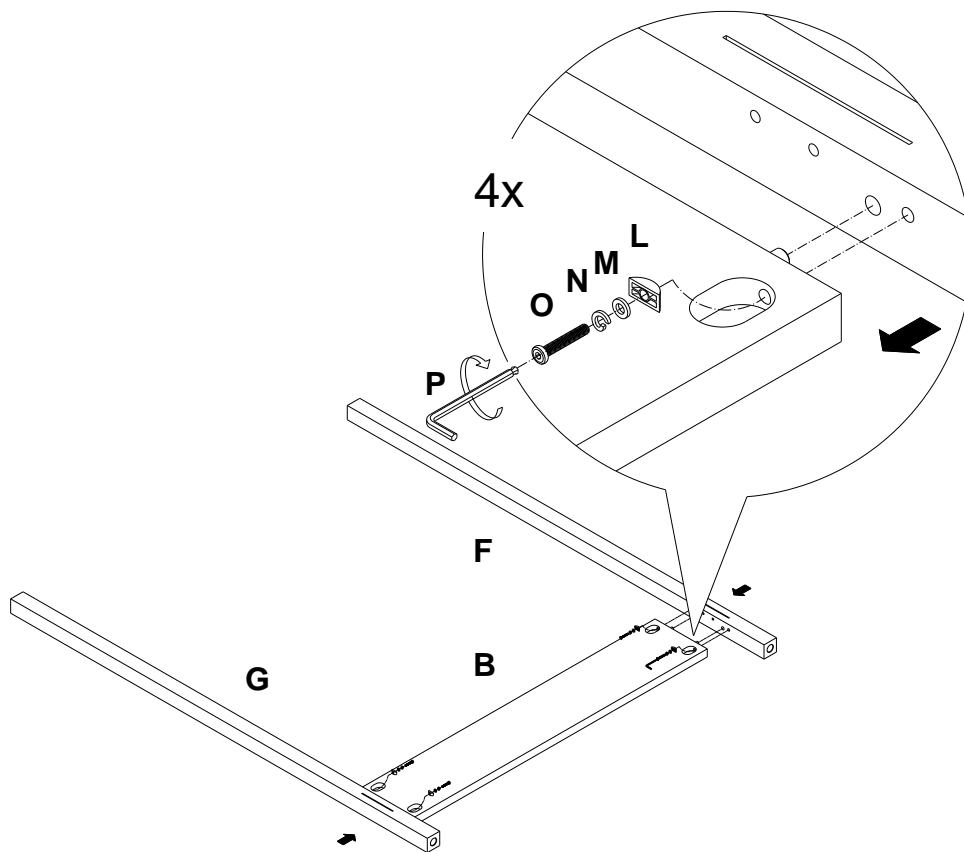
Phillip Head Screwdriver

Assembly Instruction Steps:

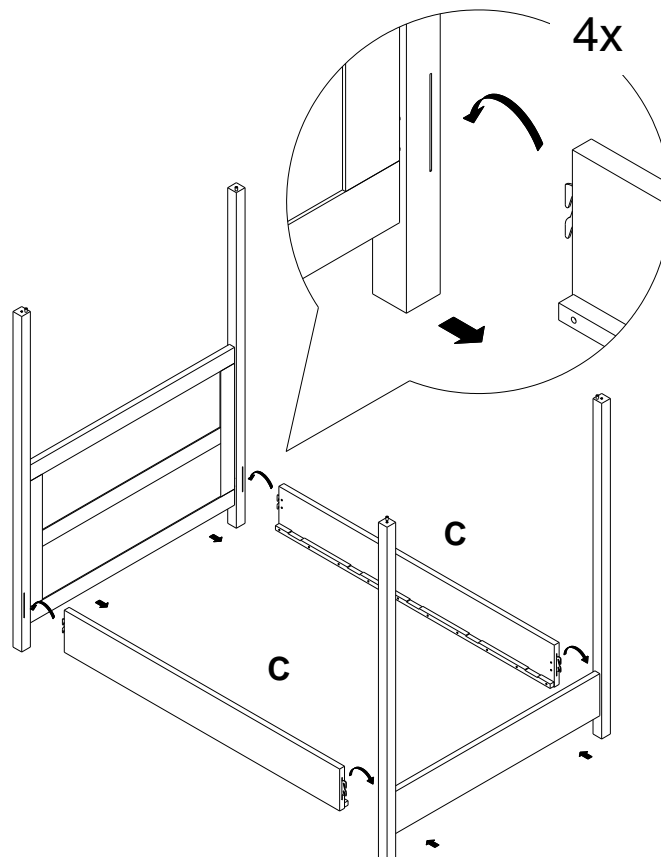
1. Carefully lay the headboard panel (A) upside down on a smooth scratch free surface such as carpet or the foam from inside the shipping box.
2. Attach the headboard left and right post (D&E) to the headboard panel by aligning the pre-drilled holes on the posts with exposed wooden dowels on the panel.
3. Insert fitting (L), flat washer (M), spring washer (N) and Allen bolt (O) into the cut holes on the headboard panel and then tighten by Allen key (P) as shown.



4. Repeat above steps to assembly the footboard left and right post (F&G) to the footboard panel (B).

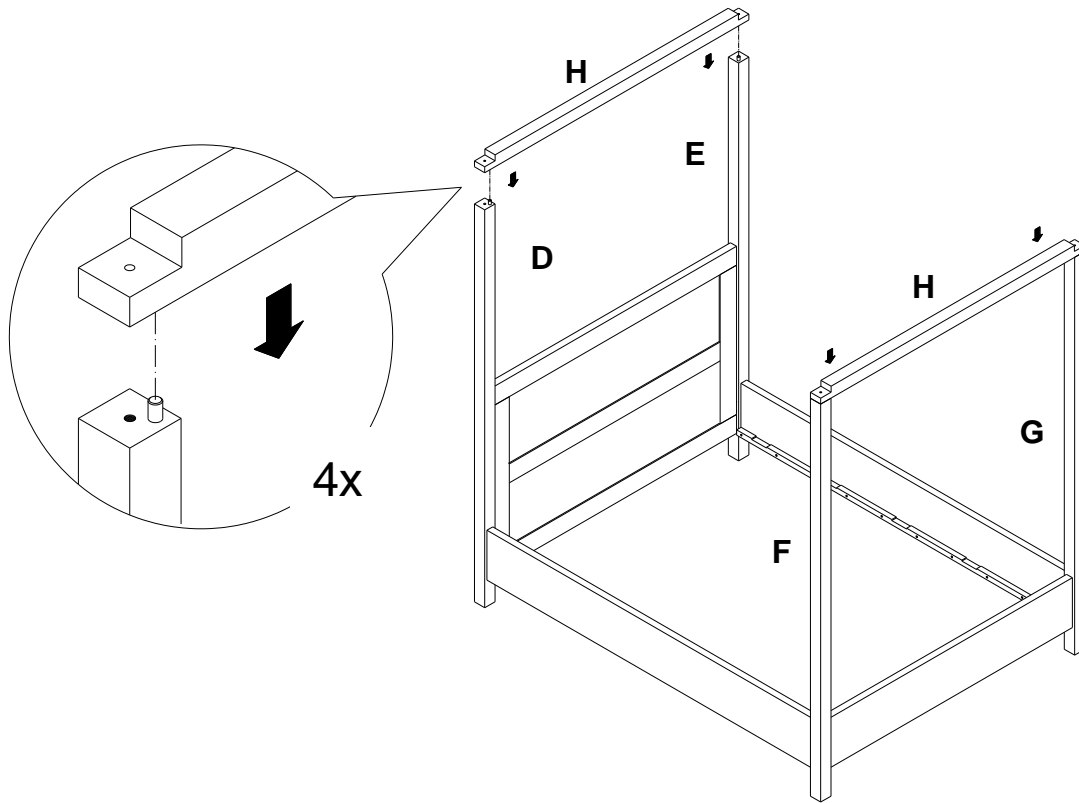


5. Attach the side rails (C) to the headboard and footboard with posts by inserting the hook into the correspondent groove on the posts.

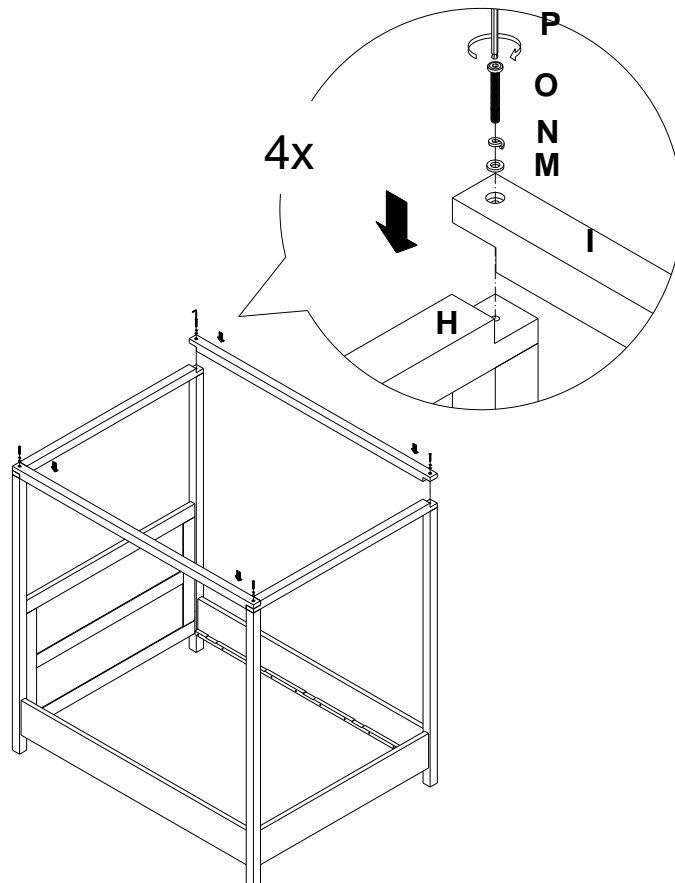


6. Attach the short canopy rails (H) on the top of posts (D, E, F&G) by aligning the predrilled holes at two end of

canopy rail with exposed wooden dowels on the posts.

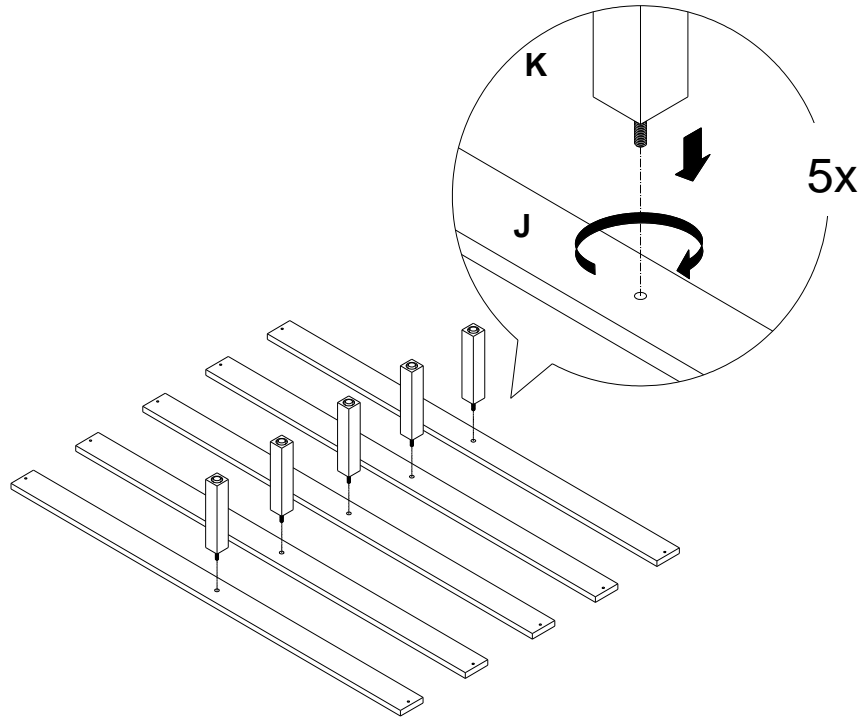


7. Attach the long canopy rails (I) on the short canopy rails (H).
8. Insert flat washer (M), spring washer (N) and Allen bolt (O) into the holes on the canopy rails then tighten by Allen key (P) as shown.



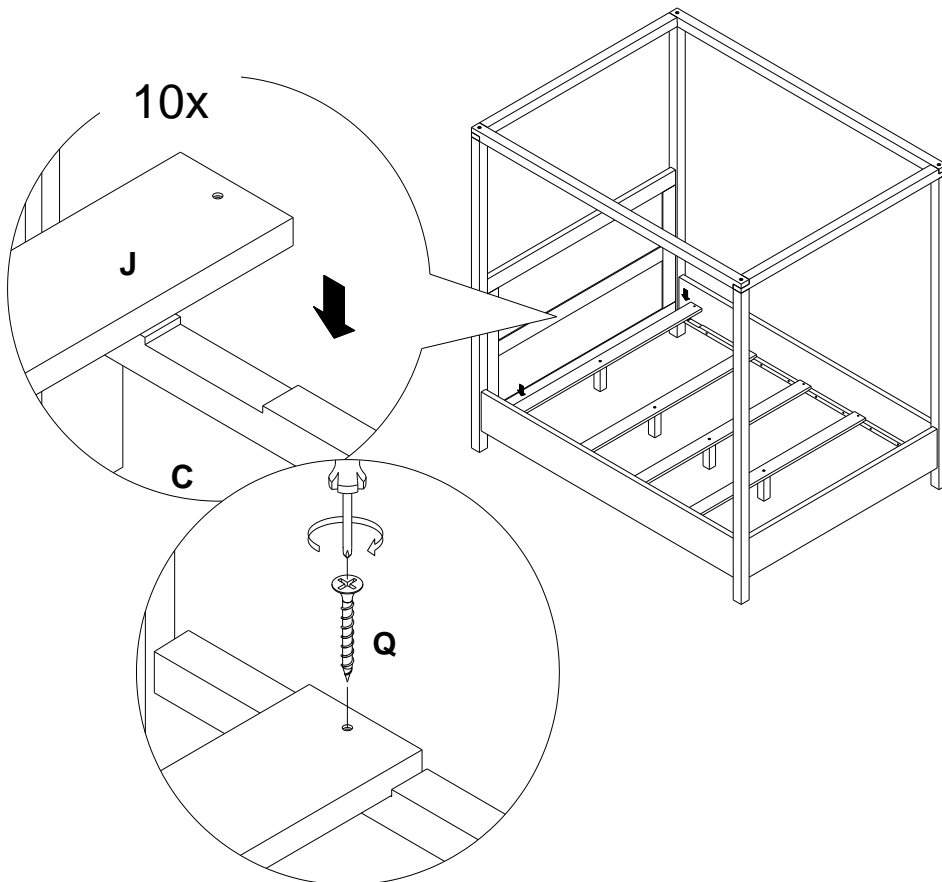
9. Attach the support legs (K) to the slats (J) by insert the hanger bolt on the leg into insert nut on the slat.

10. Turn clock-wise to tighten as shown.



11. Place the slat with support leg (J&K) on the cut-out of side rail (C) as shown.

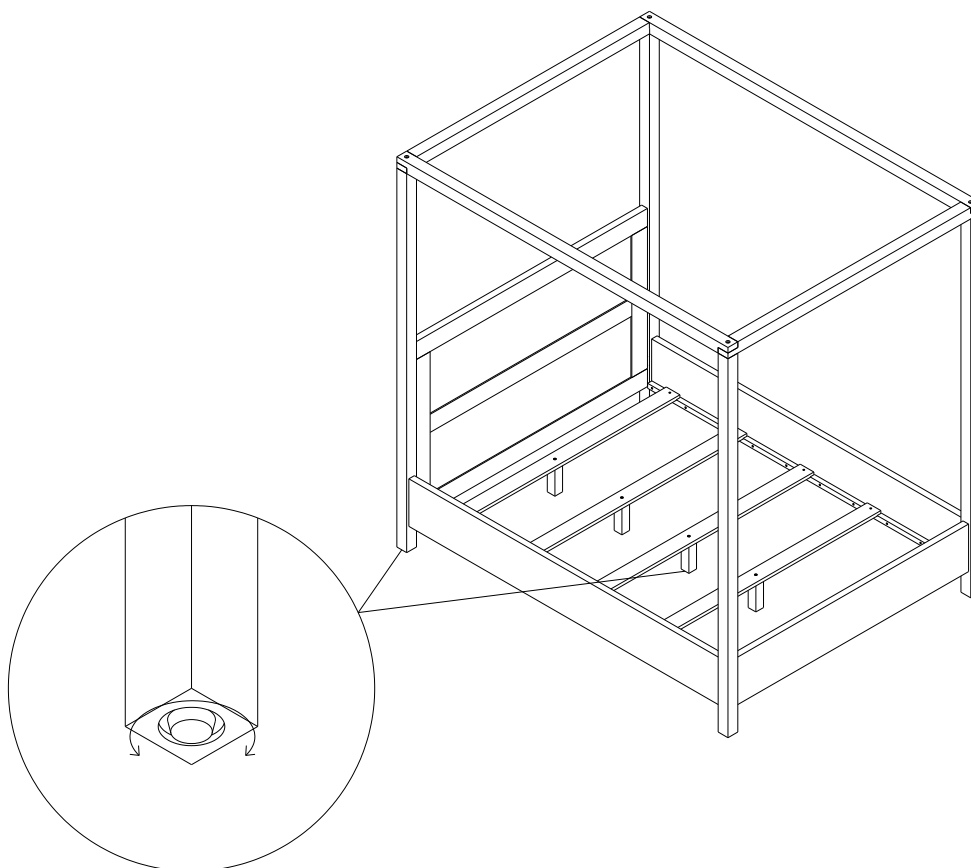
12. Slide each wood screw (Q) go through the screw hole on the end of slat into support slat rail on side rail. Tighten wood screws by Phillip Head Screwdriver as shown.



Adjusting the levelers:

Due to an uneven floor, the furniture may not sit level due causing it to wobble. If the furniture wobbles, determine which corner does not touch the ground correctly. With two people follow these steps:

- 1) Carefully elevate the item slightly to provide access to the levelers attached to the bottom.
- 2) Turn the levelers until adequate contact will be made with the floor. Gently set down the piece and check stability.
- 3) Repeat steps until furniture sits firmly on the ground.



13. Assembly is complete.

Care Instructions:

- Dust often using a clean, soft, dry and lint-free cloth.
- Blot spills immediately and wipe with a clean, damp, cloth.
- We do not recommend the use of chemical cleansers, abrasives or furniture polish on our lacquered finish.
- For glass tops and shelves, glass cleaner may be used, but avoid spraying it onto the metal or ceramic frame.
- Hardware may loosen over time. Periodically check to make sure all connections are tight. Re-tighten if necessary.

Thank you for your purchase
Stores | catalog