



ASSEMBLY INSTRUCTION FOR HAMPSTEAD BED QUEEN & KING

IMPORTANT SAFETY INSTRUCTION :

- Please read all instructions carefully before assembling.
- For your safety, assembly by two or more adults is strongly recommended.
- Keep instructions for future use.
- Use only vendor supplied hardware to assemble. Using unauthorized hardware could jeopardize the structural integrity of the item.

PART INCLUDED BOX.1 :

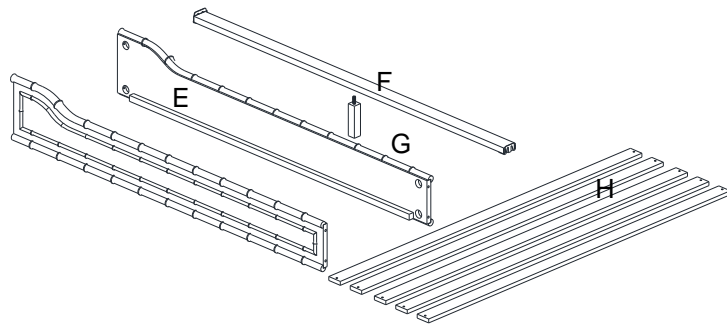
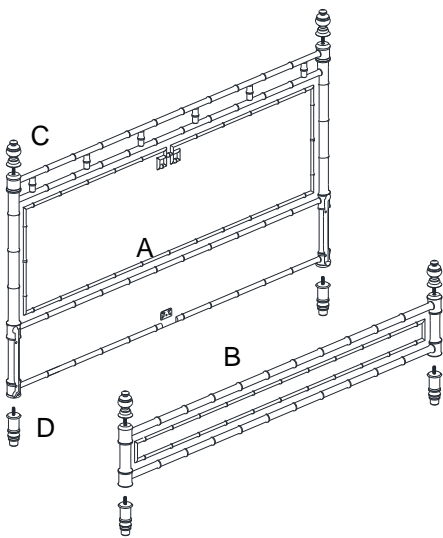
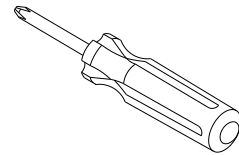
- (1) Headboard (A)
- (1) Footboard (B)
- (4) Finials (C)
- (4) Feet (D)

PART INCLUDED BOX.2 :



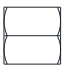



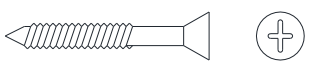
- (2) Side rails (E)
- (1) Center rail (F)
- (1) Center leg (G)
- (5) Slats (H)

TOOL REQUIREMENT :

- Screwdriver **(Not included)**



HARDWARE ENCLOSED BOX. 2 :

<p>I.</p>  <p>Threaded rod $\frac{5}{16} \times 3 \frac{1}{2}$" - 8x</p>	<p>J.</p>  <p>Curved Washers - 8x</p>	<p>K.</p>  <p>Nuts - 8x</p>	<p>L.</p>  <p>Spring Washers - 8x</p>
<p>M.</p>  <p>Flat Washers - 8x</p>	<p>N.</p>  <p>Wrench - 1x</p>	<p>O.</p>  <p>Screw 8 x 1 $\frac{1}{4}$" - 10x Queen & King</p>	

ASSEMBLY INSTRUCTIONS :

1. Lay headboard (A)/footboard (B) down on a scratch free or carpeted surface. Attach the finials (C) and the feet (D) to the headboard (A)/footboard (B) by inserting the bolts into the inserts on the headboard/footboard. Hand tighten until snug (**Do not over tighten**) as shown in **fig. 1, illustration. 1 & 2.**

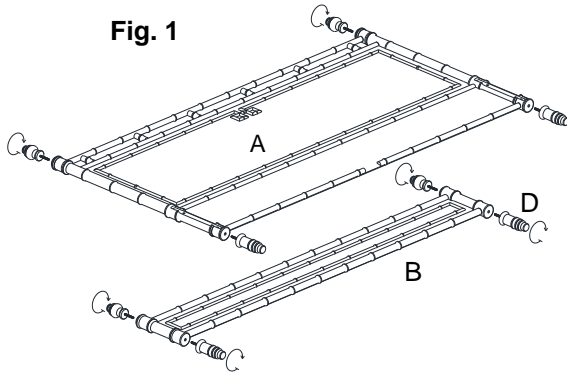


Illustration. 1 attach the finials

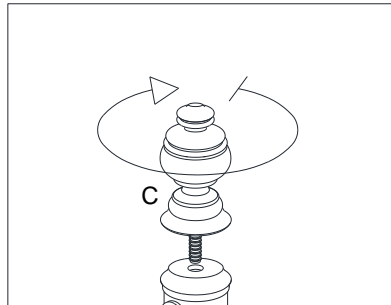
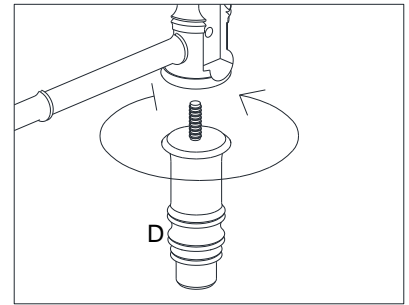


Illustration. 2 attach the feet



2. Carefully turn the head board and foot board upright. Insert threaded rods (I) into the inserts in headboard posts (A) and footboard posts (B) as shown **fig. 2** in **illustration. 3.**
3. Attach the side rails (E) by inserting threaded rods (I) on the posts of the headboard and footboard into the holes on the side rails (E) as shown **fig. 3.**
4. Place curved washers (J), flat washers (M), spring washers (L) and nuts (K) onto the threaded rods (I). Tighten with wrench (N) as shown in **illustration. 4.**

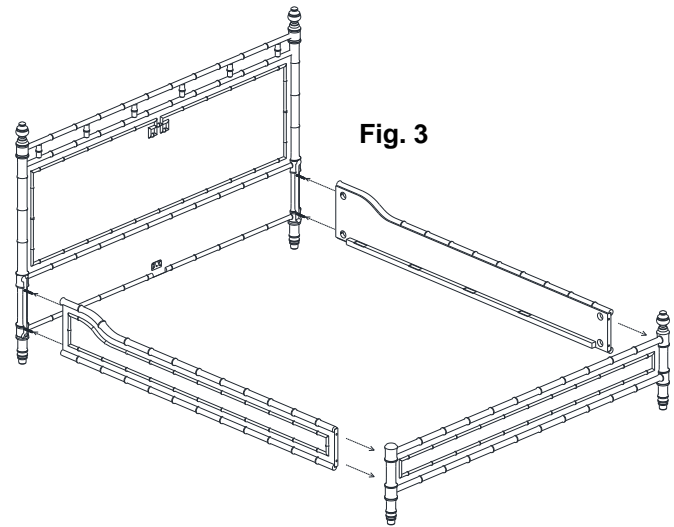
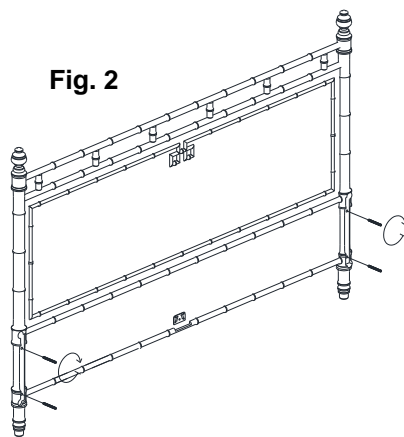


Illustration. 3 Insert threaded

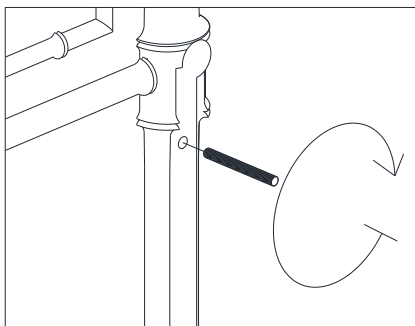
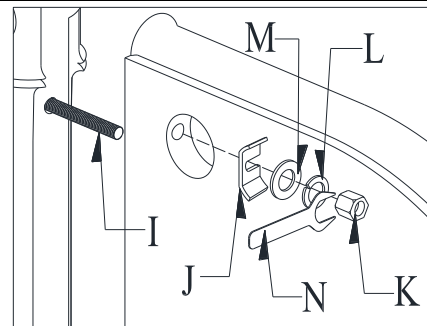


Illustration. 4 attach side rail to HB & FB



- Attach the center leg (G) to the center rail (F) by inserting the bolt into the insert on the bottom of the center rail (F), hand tighten until snug (Do not over tighten) as shown in **illustration. 5**.
- Attach the center rail (F) to the headboard (A) and footboard (B) by sliding it onto the bed fitting as shown in **fig. 4. illustration. 6**.

Illustration. 5 attach center leg to center rail

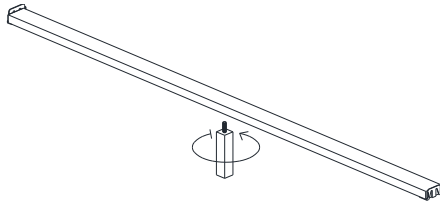


Illustration. 6 attach center rail to HB & FB

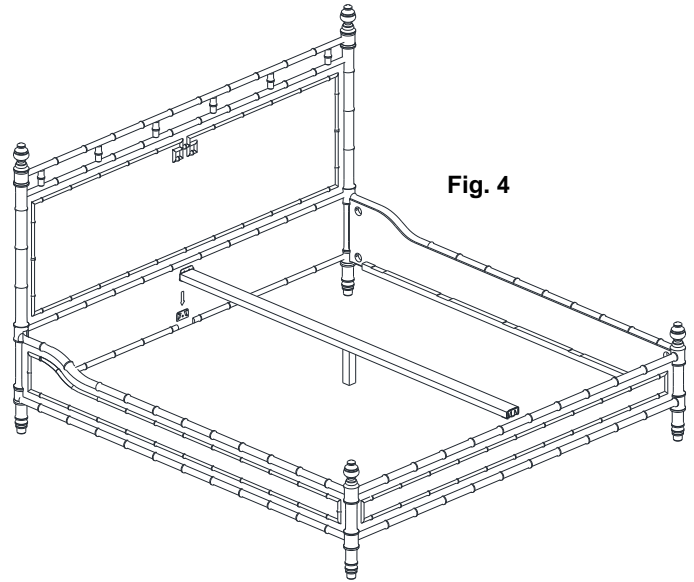
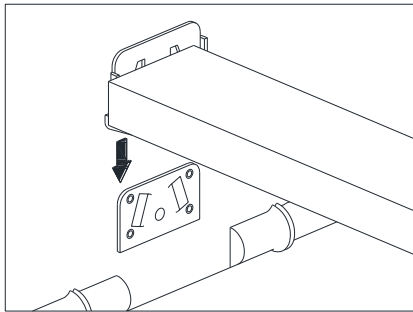


Fig. 4

- Lay slats (H) in place over center rail (F) and side rail lips. Attach by inserting the Phillips screws (O) through pre-drilled holes and tightening with a screwdriver (**not included**).

Fig. 5

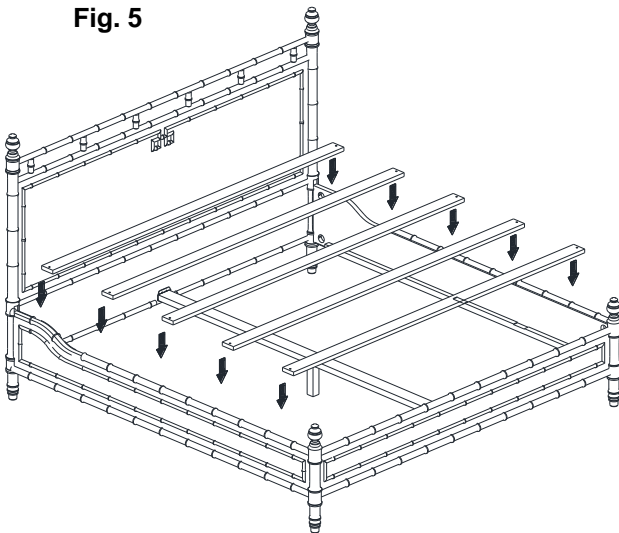
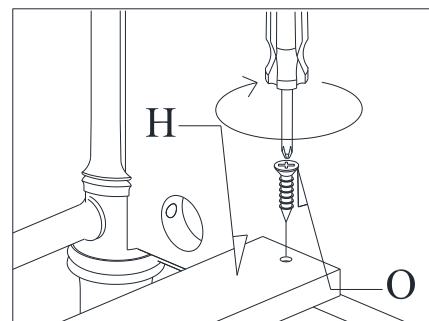
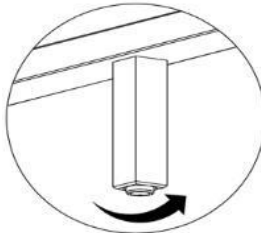


Illustration. 7.Install slat

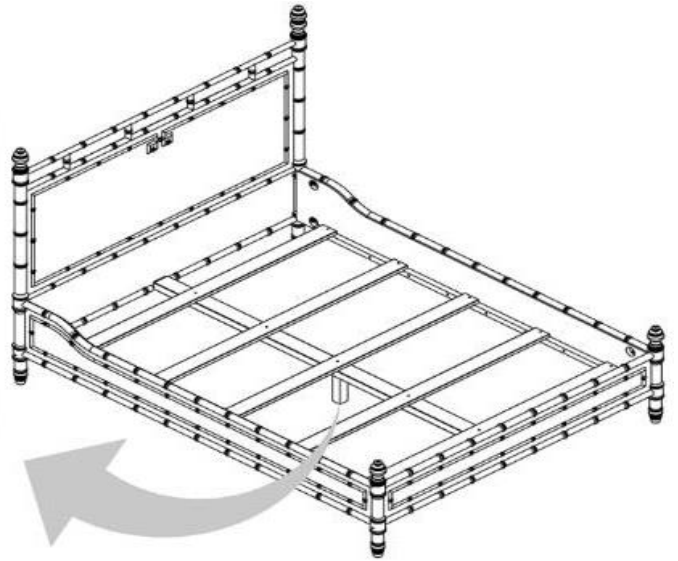
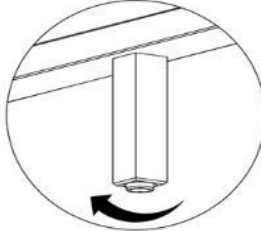


8. Tighten all connections.
9. If the floor is uneven, adjust the recessed levelers found on the bottom of Center Leg.

- Turn Leveler Counter Clockwise to increase height.



- Turn Leveler Clockwise to decrease height.



CARE INSTRUCTION :

- Dust often using a clean, soft, dry and lint-free cloth.
- Blot spills immediately and wipe with a clean, damp, cloth.
- We do not recommend the use of chemical cleansers, abrasives or furniture polish on our lacquered finish.
- Hardware may loosen over time. Periodically check to make sure all connections are tight.
- Re-tighten if necessary.