

  
**WILLIAMS SONOMA**  
HOME  
Farmhouse Buffet - Assembly Instructions

**Pre-Assembly:**

- Please read all instructions carefully and completely before assembly.
- Remove all parts and hardware from box along with any plastic protective packaging. Do not discard any contents until after assembly is complete to avoid discarding small parts or hardware accidentally.
- For your convenience and ease, assembly by two people is strongly recommended.
- Once assembled, periodically check to ensure all bolts are tightened.

**Parts Included:**

- (1) Buffet Case
- (6) Feet
- (2) Shelves

**Hardware Included:**

- (8) Shelf Pins (5 mm in dia.)

**Assembly Instructions:**

1. Carefully lay Buffet upside down on a carpeted or scratch-free surface.
2. Screw one foot to the underside of the bottom base (Fig.1).Repeat the other three feet.
3. Grip the buffet firmly at each end and carefully turn upright.
4. Open the door and put the shelf pins into the holes on each side panel.And then place the shelves on the pins carefully(Fig.2).
5. Assembly is complete.

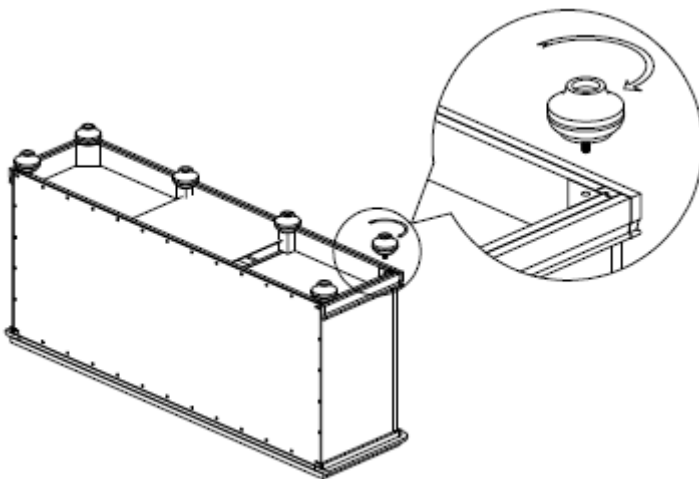


Fig. 1

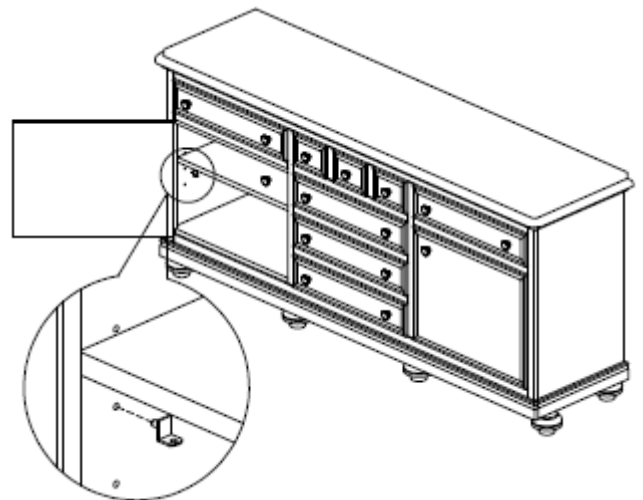


Fig.2

**Care Instructions:**

- This item is intended for indoor use only. To clean, use a damp cloth; wipe spills immediately.
- Avoid the use of cleaners or abrasives as they may damage finish.
- The use of trivets and coasters on tabletop is recommended to protect the table top.