

Brass Bordered Stone Mirror

Mounting Instructions

RECOMMENDED HARDWARE (not Included):



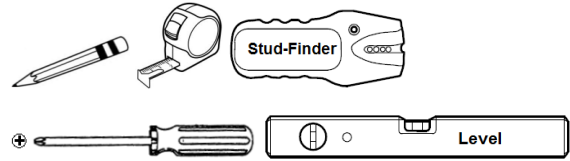
4 pcs



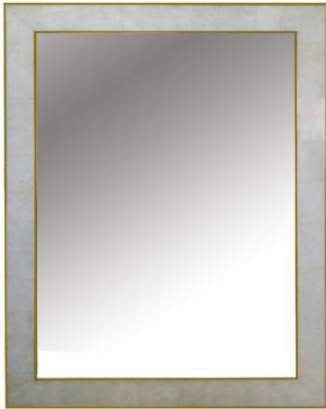
4 pcs

Note: Recommended mounting hardware is meant for drywall and stud construction only. For other wall types, please consult your local hardware store for assistance in selecting the appropriate hardware.

TOOLS NEEDED (not included):



Hanging Orientation Options:



1



2

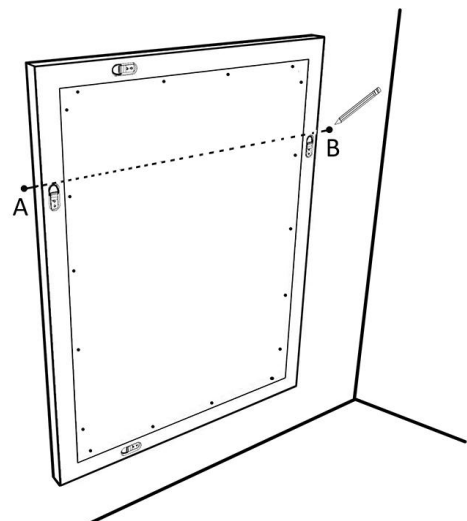
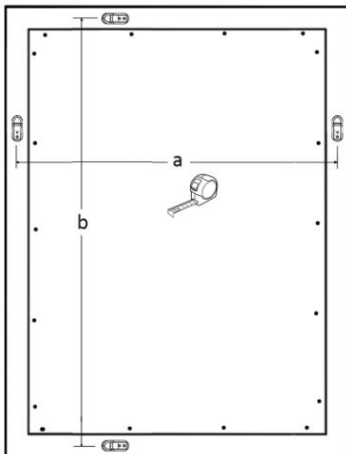
Mounting Instructions:

1

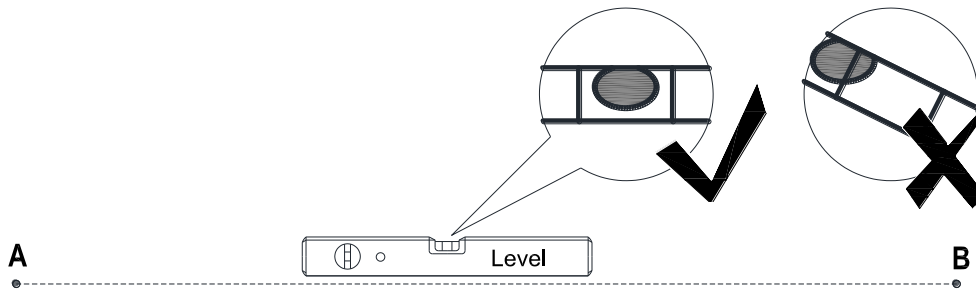
Measure the distance between the center of the two D-rings.

2

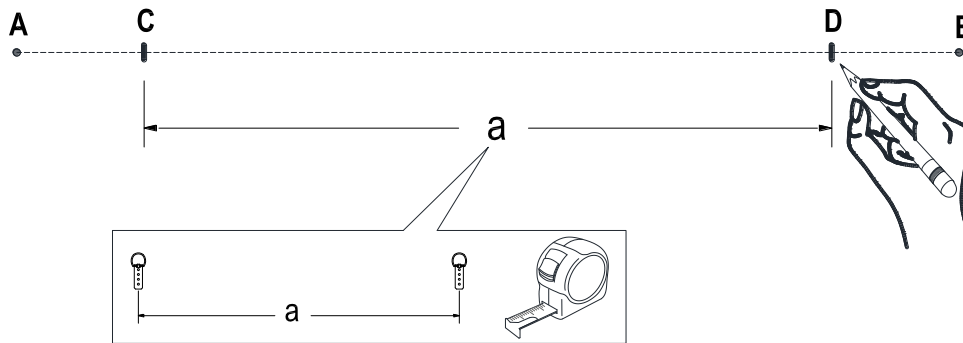
With the back of the mirror facing [e] away from the wall, hold it against the wall at a desired mounting location. Mark two reference points (A, B) on the wall as shown.



3 Connect the two points (A, B) with a light pencil line. Use a level to ensure that the line is level.



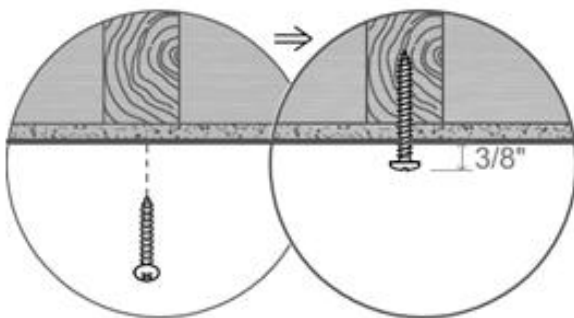
4 Make two insertion marks (C, D) centered along the line using the measurement "a".



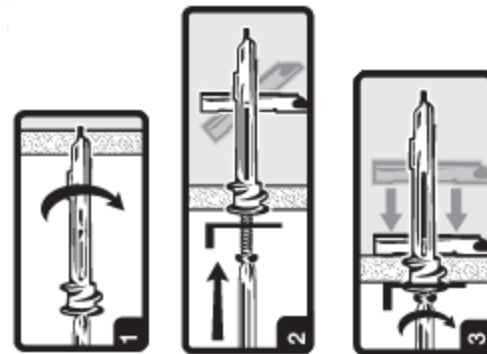
5 Use a stud-finder to determine if there is a wall stud[s] located at [each] either insertion mark. Install the proper hardware, as shown below. Note that the head of each screw resides about 3/8" from the wall.



For stud mounting:

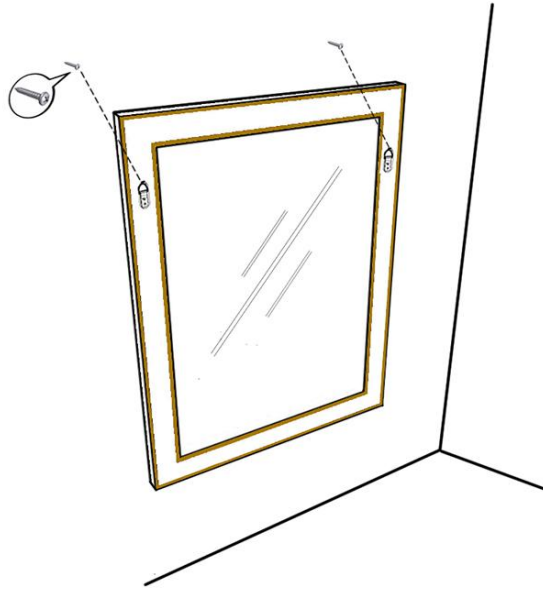


For non-stud mounting:



Tips:
The toggle is self-drillable.
No pilot hole required.

- 6** With the help of another person, hang the mirror to the wall so that the D-rings engage the screw heads.



CARE INSTRUCTIONS:

- To clean the frame of the mirror, wipe with a soft, dry cloth. Do not use abrasive or strong chemical household cleaners.
- A household glass cleaner may be used for the mirror surface – spray the cleaner on a clean cloth first and then use the cloth to clean the glass.

Thank you for your purchase!
Stores | Catalog | www.williams-sonoma.com