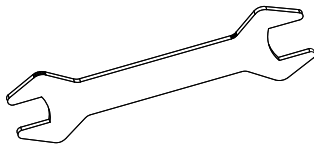


WILLIAMS-SONOMA

Round Balustrade Table Assembly Instructions

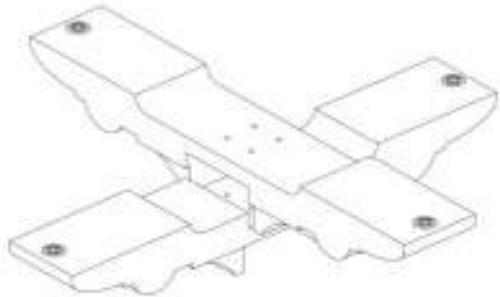
- Please read all instructions carefully before assembling.
- For your safety and convenience, assembly by at least two people is recommended.
- Use the parts and hardware lists to identify and separate each of the components included.
- Save all packing materials until assembly is completed to avoid the accidental discarding of smaller parts or hardware.

Tools :



Wrench (not included)

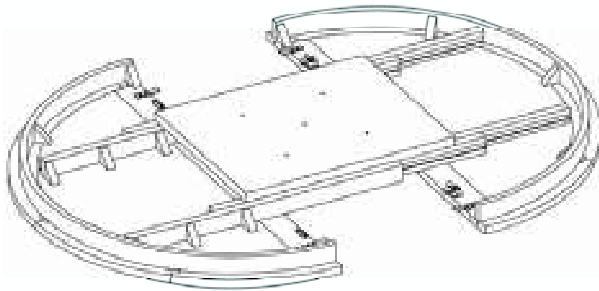
Parts :



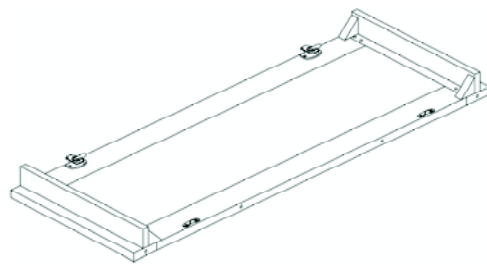
(2) Feet - (A and A')



(1) Leg - (B)



(1) Top - (C)



(1) Extension Leaf - (D)

Hardware :



(4) Hex Bolt M8-100mm



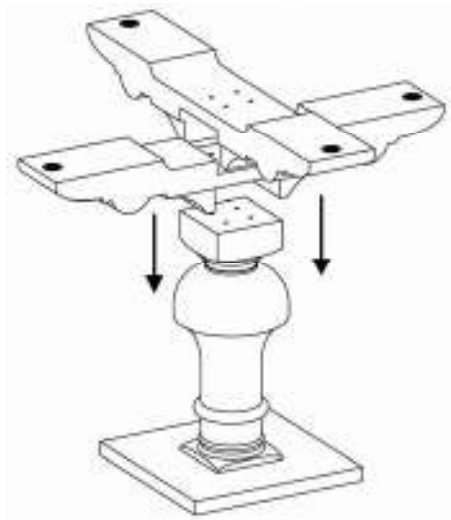
(4) Hex Bolt M8-50mm



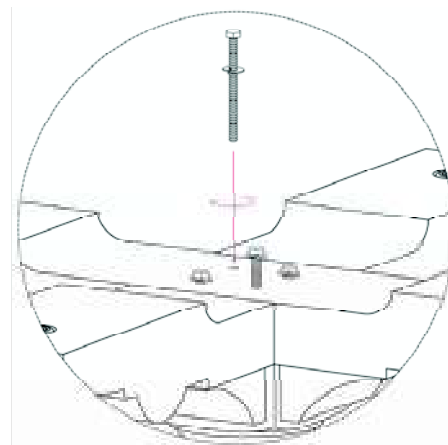
(8) Spring Washer : 8mm

Assembly instructions :

1. Position both feet (A & A') by nesting one inside the other. Turn the leg B upside down, then put feet (A & A') as in Fig.1. Secure them by screwing 4 Hex Bolt M8-100mm, 4 spring washer (Fig.2)

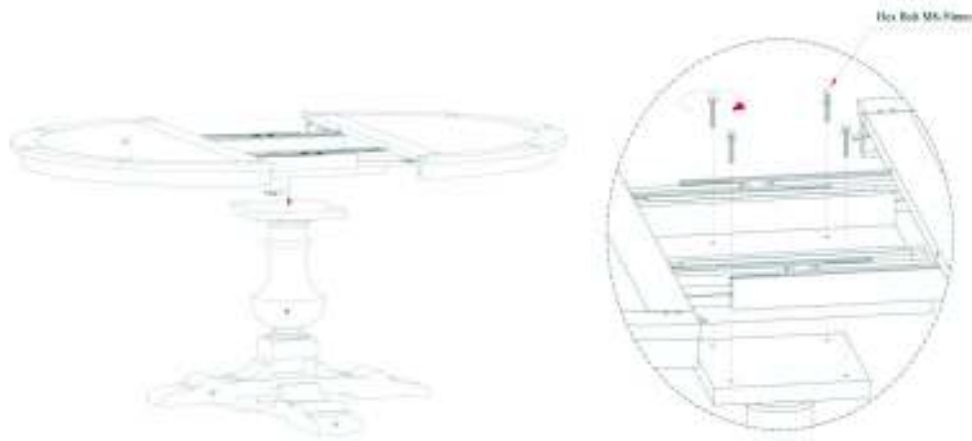


(Fig.1)



(Fig.2)

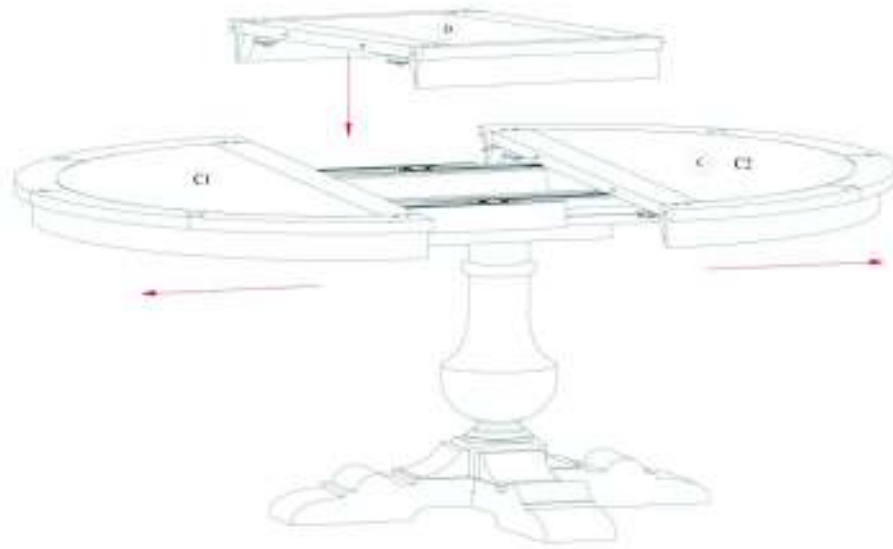
2. Fix the Top (C) to Leg (B) (Fig.3) by screwing 4 Hex Bolt M8-50mm, 4 spring washer (Fig.4)



(Fig.3)

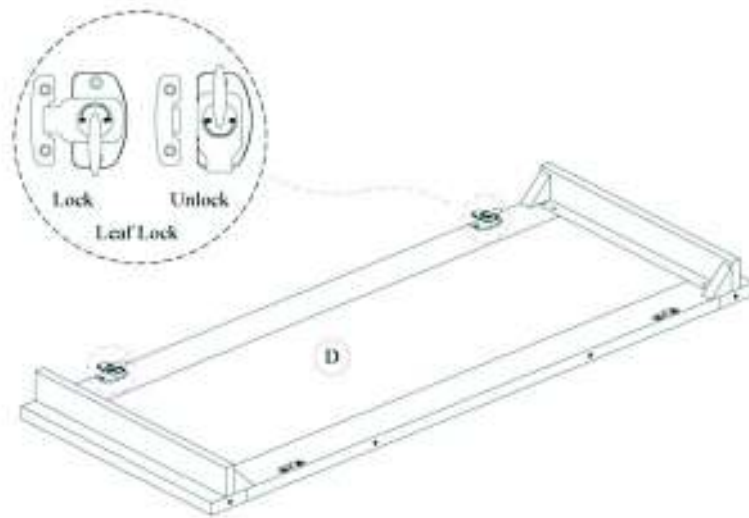
(Fig.4)

3. Pull out to the maximum both semi round top (C1 & C2), then place the extension leaf (D) between C1 and C2 (Fig.5)

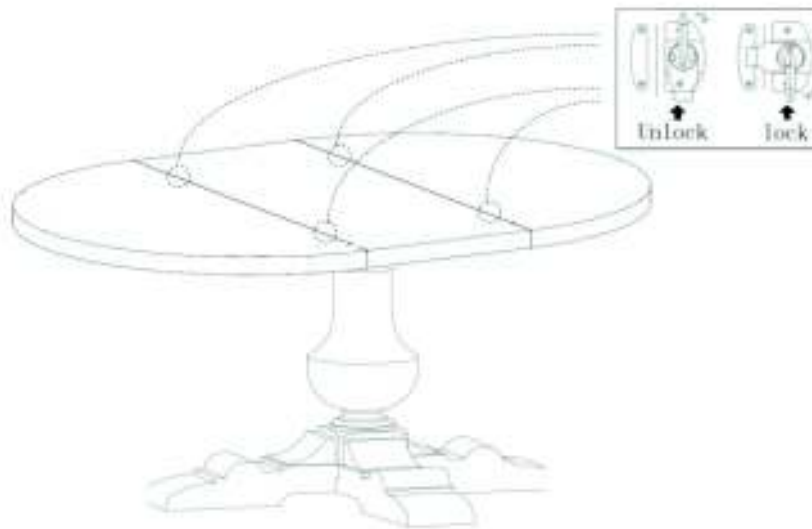


(Fig.5)

4. Use the leaf lock to lock parts C1, C2 and D together by switching the lock (Fig.6 & Fig.7)



(Fig.6)



(Fig.7)

Care Instructions:

- Dust with a clean, soft damp cloth and wipe dry immediately.
- Avoid the use of chemicals and harsh cleaning agents.
- Use of coasters is recommended.
- Wipe dry any spills immediately